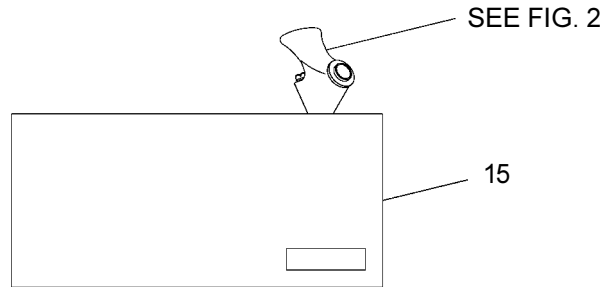


Installation/Care/Use Manual



Installer

To assure you install this model easily and correctly, PLEASE READ THESE SIMPLE INSTRUCTIONS BEFORE STARTING THE INSTALLATION. CHECK YOUR INSTALLATION FOR COMPLIANCE WITH PLUMBING, ELECTRICAL AND OTHER APPLICABLE CODES. After installation, leave these instructions inside the fountain for future reference.

IMPORTANT

ALL SERVICE TO BE PERFORMED BY AN AUTHORIZED SERVICE PERSON

IMPORTANT! INSTALLER PLEASE NOTE.

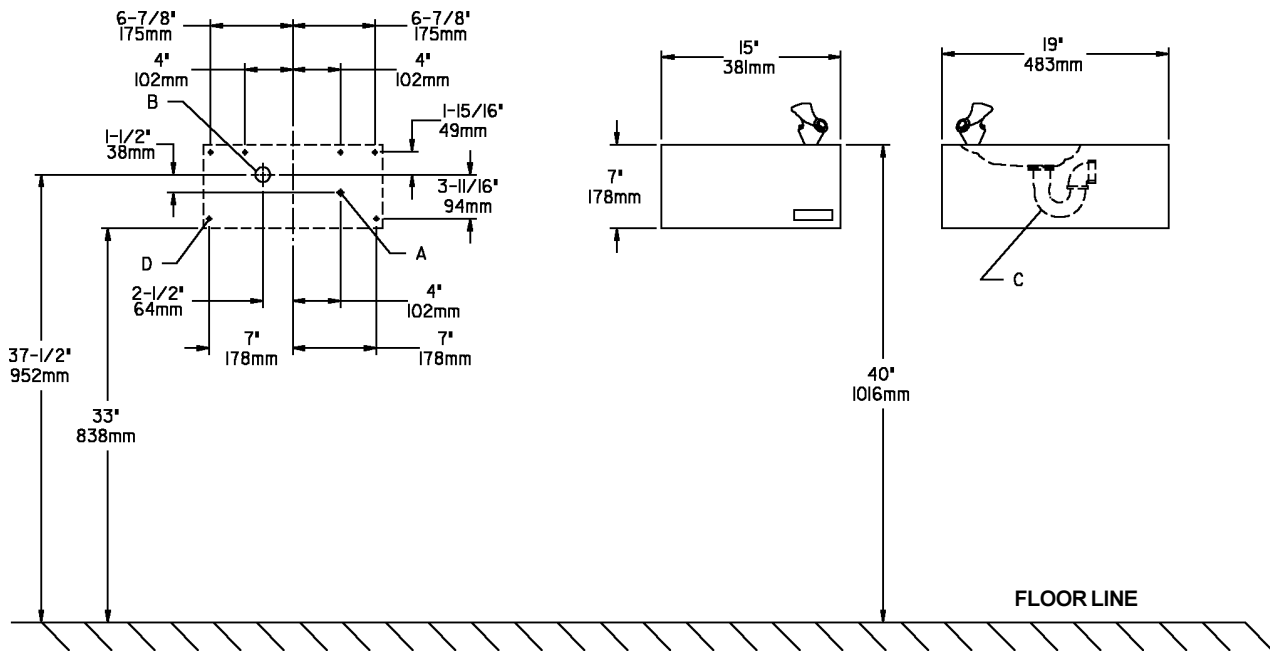
THE GROUNDING OF ELECTRICAL EQUIPMENT SUCH AS TELEPHONE, COMPUTERS, ETC. TO WATER LINES IS A COMMON PROCEDURE. THIS GROUNDING MAY BE IN THE BUILDING OR MAY OCCUR AWAY FROM THE BUILDING. THIS GROUNDING CAN CAUSE ELECTRICAL FEEDBACK INTO A FOUNTAIN, CREATING AN ELECTROLYSIS WHICH CAUSES A METALLIC TASTE OR AN INCREASE IN THE METAL CONTENT OF THE WATER. THIS CONDITION IS AVOIDABLE BY USING THE PROPER MATERIALS AS INDICATED. ANY DRAIN FITTINGS PROVIDED BY THE INSTALLER SHOULD BE MADE OF PLASTIC TO ELECTRICALLY ISOLATE THE FOUNTAIN FROM THE BUILDING PLUMBING SYSTEM.

INSTALLATION INSTRUCTIONS

1. **Wall** should already be framed for the fountain using the positioning dimensions shown in Figure 1. Shown dimensions pertain to installation location (framing must support up to 150 lbs. weight).
2. **Install** rough-in plumbing as shown in Figure 1. Waste line should extend a minimum of 2" (51mm) through the back panel. Connecting lines to be copper and thoroughly flushed to remove all foreign matter before connection to fountain. Run the supply water inlet line through the back panel. Install a service stop (not provided). Turn on supply water and flush thoroughly.
3. **Secure** the fountain to the wall using (6) bolts and washers (not provided). Tighten securely.
4. **Remove** elbow from end of p-trap and attach it to drain tube. Reattach elbow to p-trap and cut waste tube to required length using plumbing hardware and trap as a guide.
5. **Make** water supply connections from service stop to the fountain. Turn on water supply and check for leaks. Newly installed water supply line should be insulated after leak check is completed.
6. **These** products are designed to operate on 20-105 PSIG supply line pressure. If inlet pressure is above 105 PSIG, a pressure regulator must be installed in the supply line. Any damage caused by reason of connecting these products to supply line pressures lower than 20 PSIG or higher than 105 PSIG is not covered by warranty.
7. **Check** stream height from bubbler. Stream height is factory set at 35 PSI. If supply pressure varies greatly from this, turn adjustment screw on the regulator (Item 5). Clockwise adjustment will raise stream height and counter-clockwise will lower stream height. For best adjustment stream should hit basin approximately 6-1/2" (165mm) from bubbler.

TROUBLE SHOOTING AND MAINTENANCE

1. **Orifice Assy:** Mineral deposits on orifice can cause water flow to spurt or not regulate. Mineral deposits may be removed from orifice with a small round file not over 1/8" diameter or a small diameter wire. **CAUTION:** Do not file or cut orifice materials.
2. **CAUTION:** Cleaning of Bronzetone Models requires special care. Outer surfaces must be cleaned with a mild detergent or a mixture of vinegar and water only, rinsed and wiped dry. Abrasive and acidic cleaners may eventually damage the Bronzetone finish.



LEGEND

- A = RECOMMENDED WATER SUPPLY LOCATION 3/8 O.D. TUBE CONNECT STUBBED 1" (25mm) FROM WALL SHUT OFF BY OTHERS
- B = RECOMMENDED LOCATION FOR WASTE OUTLET 1-1/4" O.D. DRAIN STUBBED 6-5/8" (168mm) FROM WALL
- C = 1-1/4" TRAP FURNISHED
- D = 1/4" (6mm) DIA. HOLES FOR SECURING FOUNTAIN TO WALL

FIG. 1

PARTS LIST		
ITEM NO.	PART NO.	DESCRIPTION
1	LK142	BUBBLER ASSY
	LK142B	BUBBLER ASSY - BRONZETONE
2	40089C	COVER NUT
	40119C	COVER NUT - BRONZETONE
3	40048C	BUTTON
	40065C	BUTTON - BRONZETONE
4	10031C	RETAINING NUT
5	61313C	REGULATOR
6	A52919	O-RING
	50171C	O-RING BRONZETONE
7	40319C	ORIFICE FITTING
	40062C	ORIFICE FITTING - BRONZETONE
8	50314C	ORIFICE FLOW STRAIGHTNER
9	45675C	BUBBLER BODY
	40123C	BUBBLER BODY - BRONZETONE
10	A54800	NIPPLE
11	100322740560	GASKET
12	A54888	SCREEN
13	72460042	WASHER
14	70012C	LOCKNUT - 3/8 - 18
15	50839206	FOUNTAIN BODY
	EDFD14B	FOUNTAIN BODY - BRONZETONE
NS	LK464	DRAIN
	LK464B	DRAIN - BRONZETONE

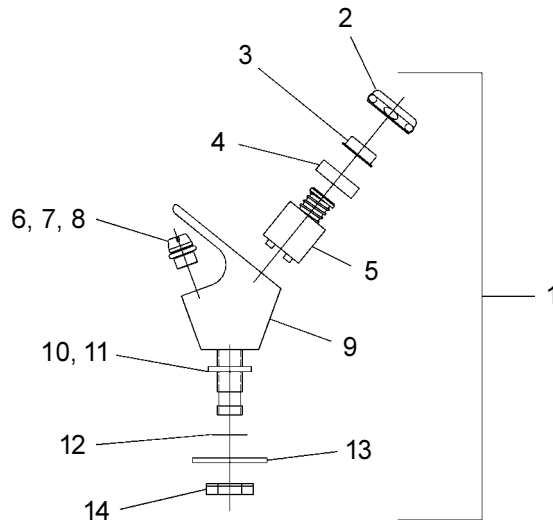


FIG. 2

PRINTED IN U.S.A

FOR PARTS, CONTACT YOUR LOCAL DISTRIBUTOR OR CALL 1.800.323.0620
 ELKAY MANUFACTURING COMPANY • 2222 CAMDEN COURT • OAK BROOK, IL 60523 • 630.574.8484