

**SPECIFICATIONS**

**GENERAL**

**LK208513** single handle, top mount gooseneck faucet, 13" high overall. Rigid spout with aerator. Brass base, brass forged wing handle on right side. Finished in heavy chrome plate. Removable valve cartridge. All operating parts are replaceable from above deck. 1/2" I.P. connections. Requires single faucet hole. Ship. Wt. 2-1/2 lbs.

**LKVR208513** Same as LK208513 except with vandal resistant aerator and handle screw and factory installed anti-rotation pins.

**LK20858** Overall height is 8", otherwise same as LK208513. Ship Wt. 2-1/2 lbs.

**LK208513L** Same as LK208513, except handle is on left side.

**LKVR208513L** Same as LKVR208513 except handle is on left side.

**LK20858L** Same as LK20858, except handle is on left side.



These faucets are ADA compliant.

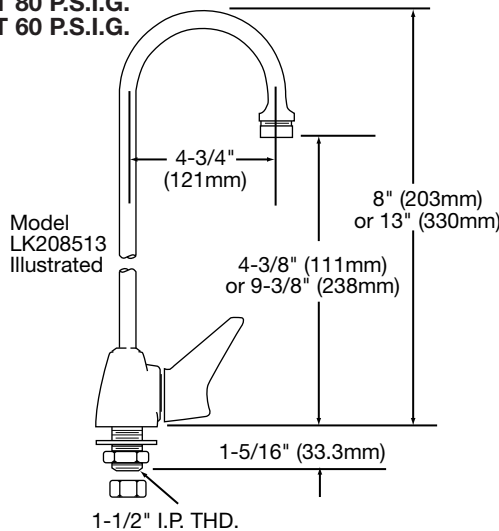


These faucets are classified by Underwriters Laboratory, Inc. to **ANSI/NSF61, Section 9** for residential use.

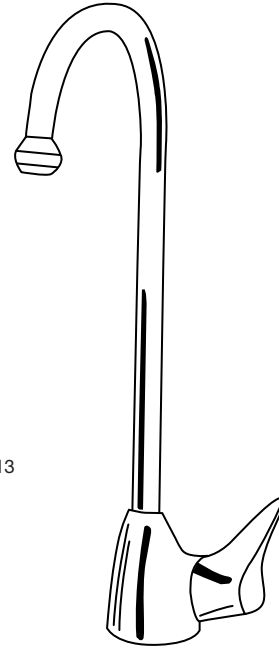
**MAXIMUM FLOW RATE**

**2.5 GPM/9.5 L/min AT 80 P.S.I.G.**

**2.2 GPM/8.3 L/min AT 60 P.S.I.G.**



Model LK208513



**CARTRIDGE**

Maintenance-free, drip-free washerless cartridge that is completely self-contained and easily removable.

A simple cam-activated movement of the diaphragm controls the flow of water with a feather-lite touch. Full **off** to full **on** with a 120° turn. No springs. No wearing action and no moving parts exposed to water.

U.S. Patent #4,203,464

Canadian Patent #983,911



**ELKAY FAUCET/WATER DISPENSERS LIMITED WARRANTY**

Elkay warrants its faucet and water dispensers to be free of defects in workmanship and material for a period of one year from the date of purchase. Replacement parts are available from Elkay for a nominal charge. Upon return of a defective part to Elkay during the warranty period with written notice of the claimed defect, Elkay will refund the replacement charge.

**WASTE FITTINGS AND ACCESSORIES ARE NOT WARRANTED; OTHER WARRANTY CONDITIONS:**

Our warranty does not cover product failure caused by abusive treatment, misuse, or damage due to handling or faulty installations. This warranty is extended only to the original consumer purchaser of the product. This warranty does not cover shipping costs, labor costs, or any other charges for such items as installation or replacement of the sink, diagnosis or replacement of any faucet or component part, or any other expense or loss.

ALL INCIDENTAL OR CONSEQUENTIAL DAMAGES ARE SPECIFICALLY EXCLUDED. NO ADDITIONAL WARRANTIES, EXPRESS OR IMPLIED, ARE GIVEN. ANY IMPLIED WARRANTY, INCLUDING ONE OF MERCHANTABILITY OR FITNESS FOR A PARTICULAR PURPOSE, IS LIMITED TO THE DURATION OF THIS WRITTEN WARRANTY.

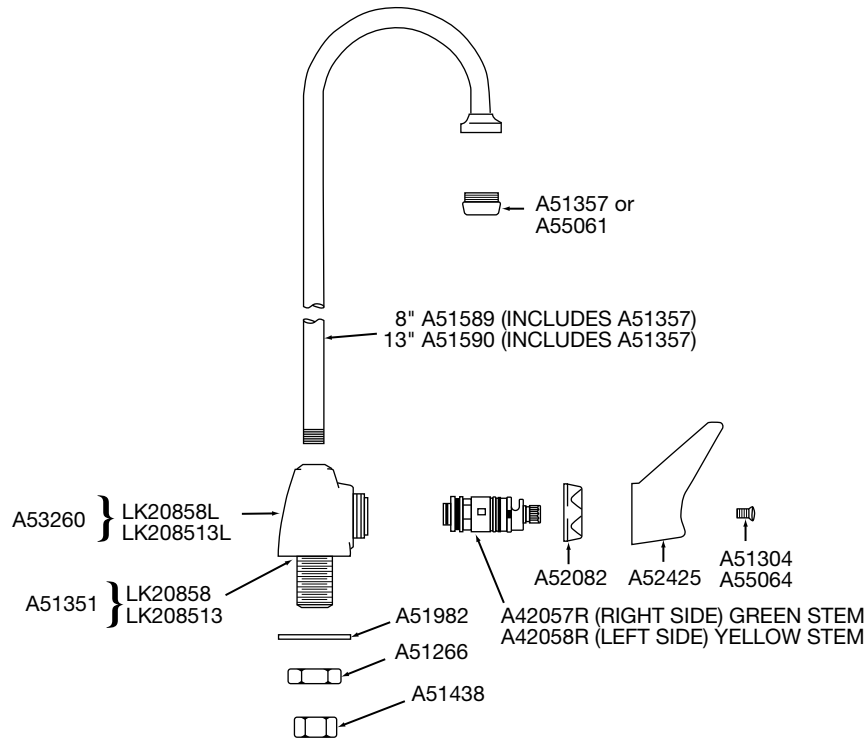
Some states do not allow the exclusion or limitation of incidental or consequential damages or limitations on how long an implied warranty lasts, so the above limitations or exclusions may not apply to you.

This warranty gives you specific legal rights, and you may also have other rights which vary from state to state.

**TO OBTAIN SERVICE UNDER WARRANTY**

1. Write to: Elkay Manufacturing Company  
 Attention: Consumer Service  
 2222 Camden Court  
 Oak Brook, Illinois 60523
2. Include a letter containing the following information:
  - a. Date of purchase and installation
  - b. Description of nature of defect
  - c. Model number or description of model and/or component part if possible.

**PARTS LIST**



**PARTS FOR LK20858, LK208513, LKVR208513, LK20858L, LK208513L, LKVR208513L**

PART NUMBER	PART DESCRIPTION
A42057R	Micracore-Right
A42058R	Micracore-Left
A51304	Handle Screw
A55064	Vandal Resistant Handle Screw
A51266	Lock Nut
A51351	Body (-8 & -13)
A51357	Aerator
A55061	Vandal Resistant Aerator
A51438	Coupling Nut
A51589	Spout-8"
A51590	Spout-13"
A51982	Washer, Shank
A52082	Cap Nut
A52425	Wing Handle
A53260	Body (-8L & -13)