

**Dual Handle  
Kitchen Faucet  
Model LK-232-S**

**ELKAY®**

**SPECIFICATIONS**

**GENERAL**

**LK-232-S** Concealed mount dual handle gooseneck faucet. Brass forged wing handles. Gooseneck 70° restricted swing spout with aerator. Overall height: 12-7/8". Finished in heavy chrome plate that exceeds U.S. government specifications. Removable cartridge. All operating parts are replaceable from above deck. Requires 1/2" I.P. connections on 8" centers. Requires three faucet holes. Ship. Wt. 6 lbs.



This faucet is ADA compliant.

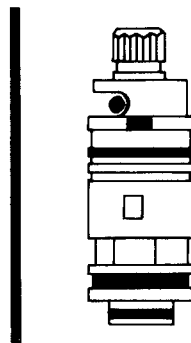
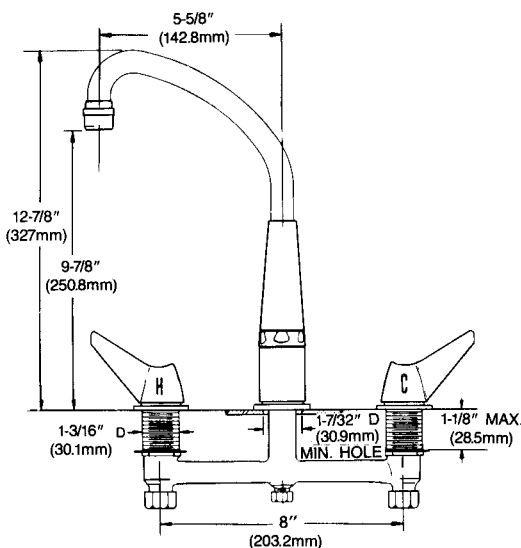


This faucet is classified by Underwriter's Laboratory, Inc. to ANSI/NSF 61, Section 9 for residential use.

**MAXIMUM FLOW RATE**

2.5 GPM/9.5 L/min AT 80 .

2.2 GPM/8.3 L/min AT 60 P.S.I.G.



**CARTRIDGE**

Maintenance-free, drip-free washerless cartridge that is completely self-contained and easily removable.

A simple cam-activated movement of the diaphragm controls the flow of water with a feather-lite touch. Full off to full on with a 120° turn. No springs. No wearing action and no moving parts exposed to water.

U.S. Patent #4,203,464  
Canadian Patent #983,911

**ELKAY FAUCET/WATER DISPENSERS LIMITED WARRANTY**

Elkay warrants its faucet and water dispensers to be free of defects in workmanship and material for a period of one year from the date of purchase. Replacement parts are available from Elkay for a nominal charge. Upon return of a defective part to Elkay during the warranty period with written notice of the claimed defect, Elkay will refund the replacement charge.

**WASTE FITTINGS AND ACCESSORIES ARE NOT WARRANTED;**

**OTHER WARRANTY CONDITIONS:**

Our warranty does not cover product failure caused by abusive treatment, misuse, or damage due to handling or faulty installations. This warranty is extended only to the original consumer purchaser of the product. This warranty does not cover shipping costs, labor costs, or any other charges for such items as installation or replacement of the sink, diagnosis or replacement of any faucet or component part, or any other expense or loss.

ALL INCIDENTAL OR CONSEQUENTIAL DAMAGES ARE SPECIFICALLY EXCLUDED. NO ADDITIONAL WARRANTIES, EXPRESS OR IMPLIED, ARE GIVEN. ANY IMPLIED WARRANTY, INCLUDING ONE OF MERCHANTABILITY OR FITNESS FOR A PARTICULAR PURPOSE, IS LIMITED TO THE DURATION OF THIS WRITTEN WARRANTY.

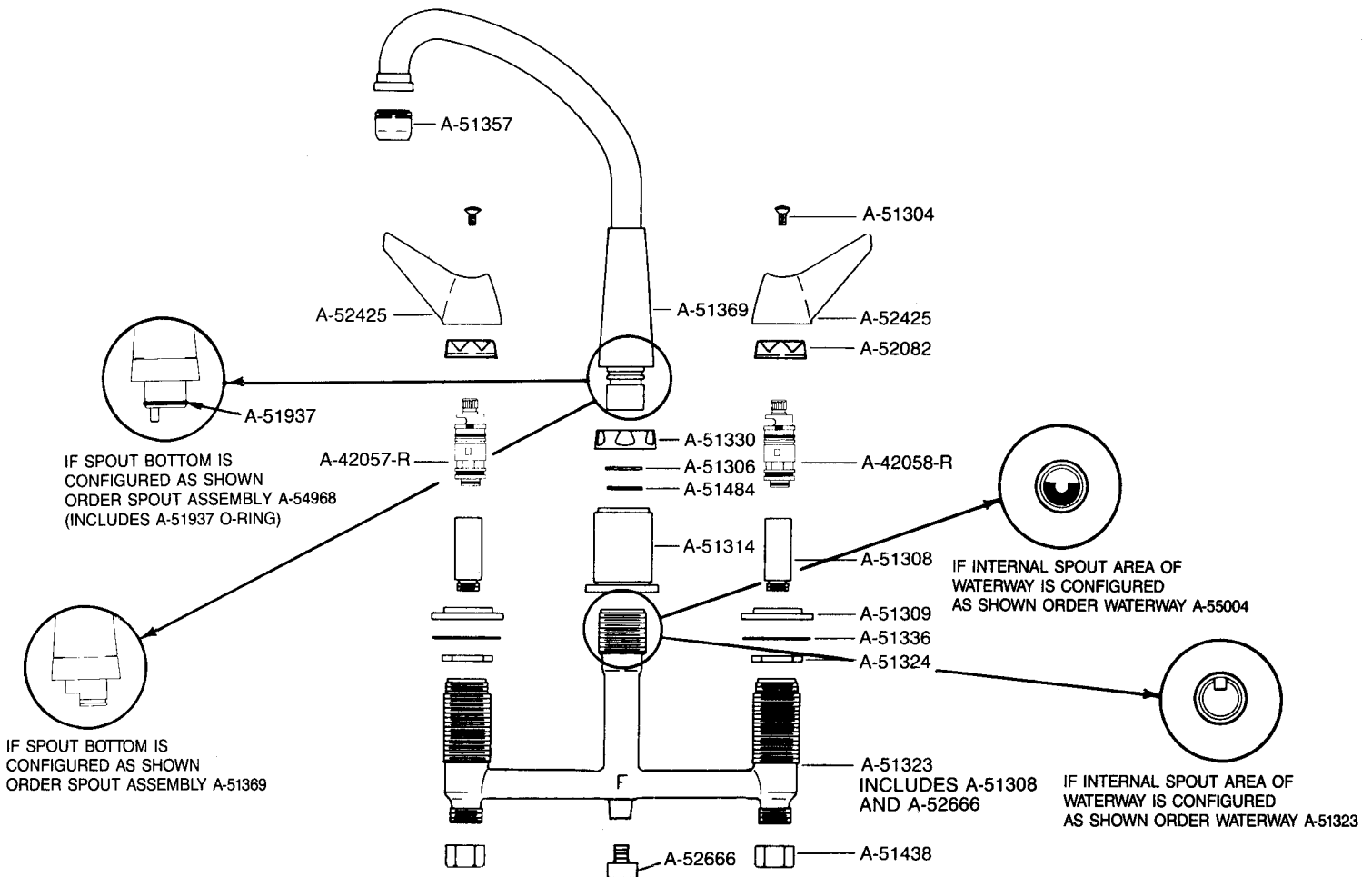
Some states do not allow the exclusion or limitation of incidental or consequential damages or limitations on how long an implied warranty lasts, so the above limitations or exclusions may not apply to you.

This warranty gives you specific legal rights, and you may also have other rights which vary from state to state.

**TO OBTAIN SERVICE UNDER WARRANTY**

1. Write to: Elkay Manufacturing Company  
Attention: Consumer Service  
2222 Camden Court  
Oak Brook, Illinois 60523
2. Include a letter containing the following information:
  - a. Date of purchase and installation
  - b. Description of nature of defect
  - c. Model number or description of model and/or component part if possible.

**PARTS LIST**



**PARTS FOR LK-232-S FAUCET**

PART NUMBER	PART DESCRIPTION	PART NUMBER	PART DESCRIPTION
A-42057-R	Micracore—Hot Side (Green Stem)	A-51336	Washer, Steel
A-42058-R	Micracore—Cold (Yellow Stem)	A-51357	Aerator
A-51304	Handle Screw	A-51369*	Spout Assembly Includes: A-51330, A-51357, A-51306, A-51484
A-51306	Spout Lock Ring	A-54968*	Spout Assembly Includes: A-51330, A-51357, A-51306, A-51484 and A-51937
A-51308	Waterway Sleeve	A-51438	Coupling Nut
A-51309	Locknut, Top	A-51484	Spout O-Ring
A-51314	Escutcheon, Center	A-52082	Cap
A-51323*	Body Assembly	A-52666	Hex Plug
A-55004*	Body Assembly	A-52425	Handle
A-51324	Locknut, Bottom		
A-51330	Spout Nut		

\*See above illustration to determine proper replacement part.