


**SPECIFICATIONS**


**SUGGESTED SPECIFICATIONS**

**LK-2453** Dual handle concealed mount mixing faucet. Metal handles. Tubular brass high arc contemporary style swing spout with restricted flow aerator finished in flawless chrome plate. Removable Diacore cartridges. A 150° turn of the handle controls water from drip-free **off** to full **on**. All operating parts are replaceable from above deck. Retractable spray and hose. Requires 1/2" I.P. connections on 8" centers. Requires 4 faucet holes. Ship. Wt. 5 lbs.

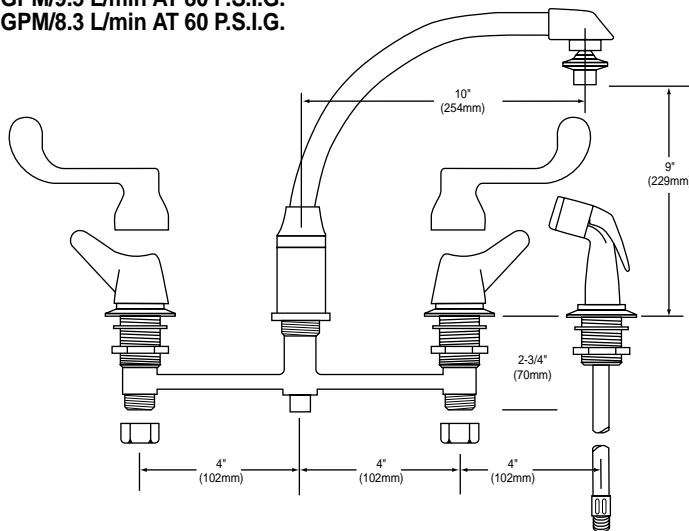
**LK-2452** Same as **LK-2453** except less retractable spray and hose. Requires 3 faucet holes. Ship. Wt. 4-1/2 lbs.

**LK-2452-BH** Same as **LK-2452** except 4" blade handles. Ship. Wt. 5-1/2 lbs.

 These faucets are ADA compliant.

 These faucets are classified by Underwriters Laboratory, Inc. to ANSI/NSF 61, Section 9 for residential use.

**MAXIMUM FLOW RATE**  
2.5 GPM/9.5 L/min AT 80 P.S.I.G.  
2.2 GPM/8.3 L/min AT 60 P.S.I.G.



Model LK-2453

**CARTRIDGE**

Maintenance-free, drip-free washerless cartridge that is completely self-contained and easily removable.

A simple cam-activated movement of the diaphragm controls the flow of water with a feather-lite touch. Full **off** to full **on** with a 150° turn. No springs. No wearing action and no moving parts exposed to water.

**ELKAY FAUCET/WATER DISPENSERS LIMITED WARRANTY**

Elkay warrants its faucet and water dispensers to be free of defects in workmanship and material for a period of one year from the date of purchase. Replacement parts are available from Elkay for a nominal charge. Upon return of a defective part to Elkay during the warranty period with written notice of the claimed defect, Elkay will refund the replacement charge.

**WASTE FITTINGS AND ACCESSORIES ARE NOT WARRANTED; OTHER WARRANTY CONDITIONS:**

Our warranty does not cover product failure caused by abusive treatment, misuse, or damage due to handling or faulty installations. This warranty is extended only to the original consumer purchaser of the product. This warranty does not cover shipping costs, labor costs, or any other charges for such items as installation or replacement of the sink, diagnosis or replacement of any faucet or component part, or any other expense or loss.

ALL INCIDENTAL OR CONSEQUENTIAL DAMAGES ARE SPECIFICALLY EXCLUDED. NO ADDITIONAL WARRANTIES, EXPRESS OR IMPLIED, ARE GIVEN. ANY IMPLIED WARRANTY, INCLUDING ONE OF MERCHANTABILITY OR FITNESS FOR A PARTICULAR PURPOSE, IS LIMITED TO THE DURATION OF THIS WRITTEN WARRANTY.

Some states do not allow the exclusion or limitation of incidental or consequential damages or limitations on how long an implied warranty lasts, so the above limitations or exclusions may not apply to you.

This warranty gives you specific legal rights, and you may also have other rights which vary from state to state.

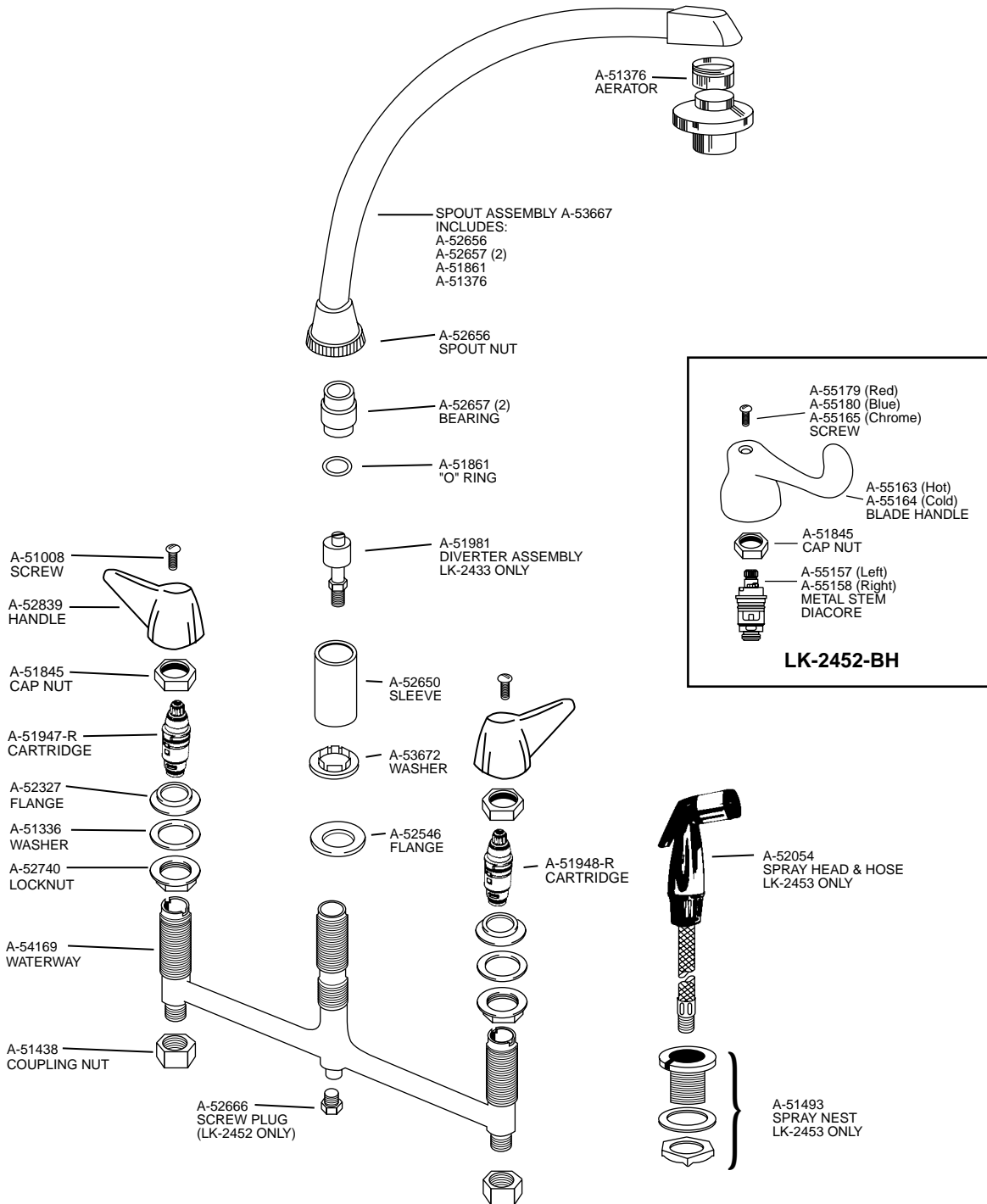
**TO OBTAIN SERVICE UNDER WARRANTY**

1. Write to: Elkay Manufacturing Company  
Attention: Consumer Service  
2222 Camden Court  
Oak Brook, Illinois 60523

2. Include a letter containing the following information:

- a. Date of purchase and installation
- b. Description of nature of defect
- c. Model number or description of model and/or component part if possible.

**PARTS LIST**



Warning: Blade handles must only be used with A-55157 and A-55158 Metal Stem Diacore Cartridges.