

**Victoria™ Two-Handle Kitchen Faucet  
Models LK2454 and LK2455 Series**



**SPECIFICATIONS**

**GENERAL**

**LK2454** Two-handle top mount faucet. Overall spout height is 9-7/8". Spout height from deck to aerator is 7-7/16". Spout reach is 9". Removable Metal Stem Diacore cartridge. A 150° turn of the handle controls water from drip-free off to full on. Heavy Chrome Plate finish. Requires three faucet holes. Ship. Wt. 7-1/2 lbs.

**LK2455** Same as LK2454 except with retractable insulated metal spray hose. Requires four faucet holes. Ship. Wt. 10 lbs.

**LK2454AC** Same as LK2454 except exposed parts have Antique Copper finish. Available Summer 2002.

**LK2455AC** Same as LK2455 except exposed parts have Antique Copper finish. Available Summer 2002.

Maximum countertop thickness: 1-1/2".



These faucets are ADA compliant.

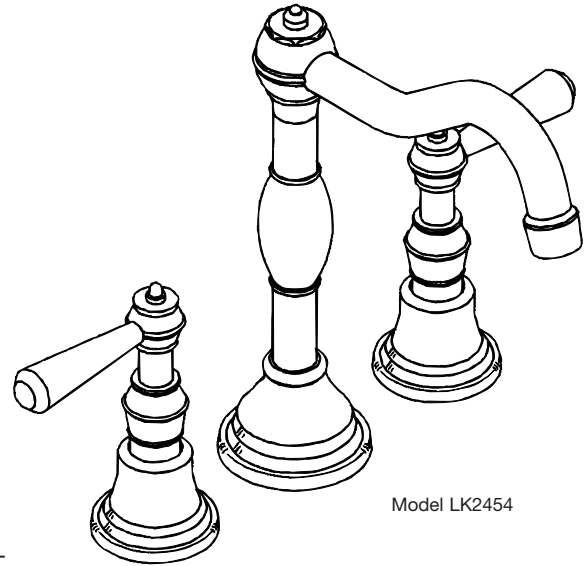


These faucets are classified by Underwriters Laboratories Inc. to **ANSI/NSF61**.

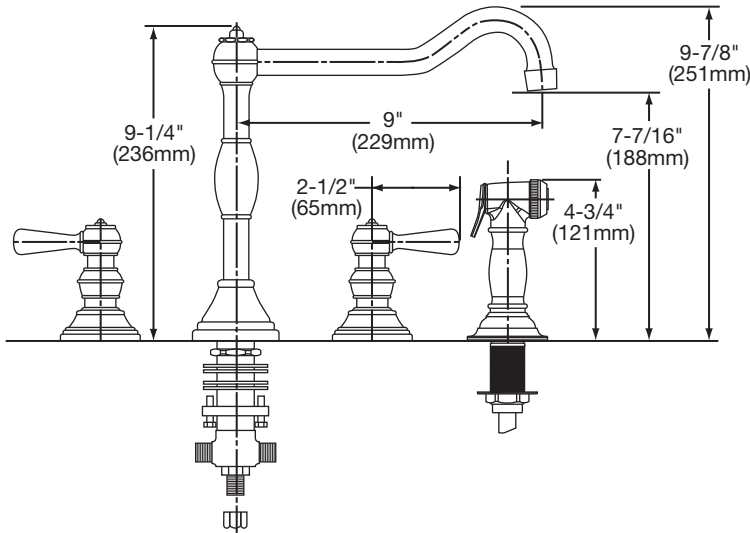
**MAXIMUM FLOW RATE**

**2.5 GPM/9.5 L/min AT 80 P.S.I.G.**

**2.2 GPM/8.3 L/min AT 60 P.S.I.G.**



Model LK2454



**CARTRIDGE**

Maintenance-free, drip-free washerless cartridge that is completely self-contained and easily removable.

A simple cam-activated movement of the diaphragm controls the flow of water with a feather-lite touch. Full **off** to full **on** with a 150° turn. No springs. No wearing action and no moving parts exposed to water.

**ELKAY FAUCET/WATER DISPENSERS LIMITED WARRANTY**

Elkay warrants its faucet and water dispensers to be free of defects in workmanship and material for a period of one year from the date of purchase. Replacement parts are available from Elkay for a nominal charge. Upon return of a defective part to Elkay during the warranty period with written notice of the claimed defect, Elkay will refund the replacement charge.

**WASTE FITTINGS AND ACCESSORIES ARE NOT WARRANTED; OTHER WARRANTY CONDITIONS:**

Our warranty does not cover product failure caused by abusive treatment, misuse, or damage due to handling or faulty installations. This warranty is extended only to the original consumer purchaser of the product. This warranty does not cover shipping costs, labor costs, or any other charges for such items as installation or replacement of the sink, diagnosis or replacement of any faucet or component part, or any other expense or loss.

ALL INCIDENTAL OR CONSEQUENTIAL DAMAGES ARE SPECIFICALLY EXCLUDED. NO ADDITIONAL WARRANTIES, EXPRESS OR IMPLIED, ARE GIVEN. ANY IMPLIED WARRANTY, INCLUDING ONE OF MERCHANTABILITY OR FITNESS FOR A PARTICULAR PURPOSE, IS LIMITED TO THE DURATION OF THIS WRITTEN WARRANTY.

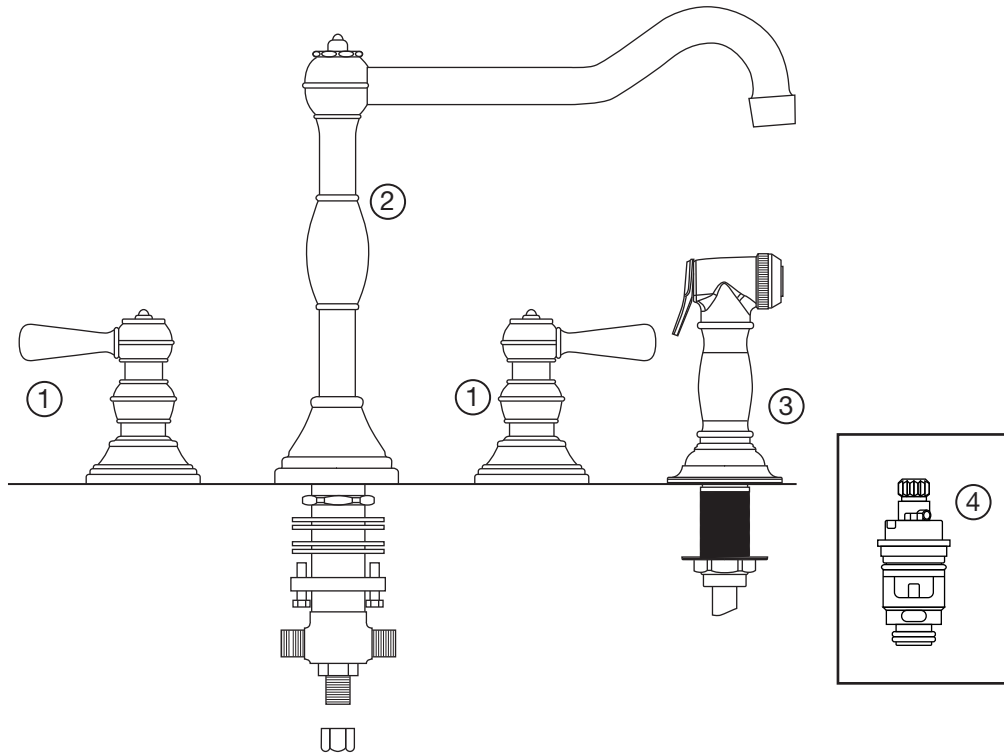
Some states do not allow the exclusion or limitation of incidental or consequential damages or limitations on how long an implied warranty lasts, so the above limitations or exclusions may not apply to you.

This warranty gives you specific legal rights, and you may also have other rights which vary from state to state.

**TO OBTAIN SERVICE UNDER WARRANTY**

1. Write to: Elkay Manufacturing Company  
Attention: Consumer Service  
2222 Camden Court  
Oak Brook, Illinois 60523
2. Include a letter containing the following information:
  - a. Date of purchase and installation
  - b. Description of nature of defect
  - c. Model number or description of model and/or component part if possible.

**PARTS LIST**



**PARTS FOR LK2454 and LK2455 SERIES**

KEY	PART NUMBER	PART DESCRIPTION
1	A55308	Chrome Handle Assembly – Less Cartridge
1	A55308AC	Antique Copper Handle Assembly – Less Cartridge
2	A55309	Chrome Spout Assembly – for LK2454 model
2	A55309AC	Chrome Spout Assembly – for LK2454AC model
2	A55310	Chrome Spout Assembly – for LK2455 model
2	A55310AC	Chrome Spout Assembly – for LK2455AC model
3	A55306	Chrome Metal Side Spray
3	A55306AC	Antique Copper Side Spray
4	A55157	Left Hand Metal Stem Diacore Cartridge
4	A55158	Right Hand Metal Stem Diacore Cartridge