

Single Lever Kitchen Faucets
Models LK4160 Series (Less Spray)
LK4161 Series (With Spray)



SPECIFICATIONS

GENERAL

LK4160 single lever top mount kitchen faucet with 8" tubular swing spout with restricted flow aerator, circular brass base finished in polished heavy chrome plate. Removable cartridge. Temperature and flow controlled by one movement of the single lever handle. All operating parts are replaceable from above deck. 3/8" O.D. copper tube connections. Requires one faucet hole. Ship. Wt. 2-1/4 lbs.

LK4160F same as LK4160 except with 1/2" I.P. adaptors. Ship. Wt. 2-1/2 lbs.

LK4160AL same as LK4160 except spout body, handle, dome and base are finished in almond. Requires one faucet hole. Ship. Wt. 2-1/4 lbs.

LK4160BK same as LK4160 except spout, body, handle, dome and base are finished in black. Requires one faucet hole. Ship. Wt. 2-1/4 lbs.

LK4160WH same as LK4160 except spout, body, handle, dome and base are finished in white. Requires one faucet hole. Ship. Wt. 2-1/4 lbs.

LK4161 same as LK4160 except with retractable spray head and hose. Requires two faucet holes. Ship. Wt. 2-3/4 lbs.

LK4161F same as LK4161 except with 1/2" I.P. adaptors. Ship. Wt. 2-1/2 lbs.

LK4161AL same as LK4160AL except with an almond retractable spray head and hose. Requires two faucet holes. Ship. Wt. 2-1/2 lbs.

LK4161BK same as LK4160BK except with a black retractable spray head and hose. Requires two faucet holes. Ship. Wt. 2-1/2 lbs.

LK4161WH same as LK4160WH except with a white retractable spray head and hose. Requires two faucet holes. Ship. Wt. 2-1/2 lbs.

MAXIMUM FLOW RATE

2.5 GPM/9.5 L/min AT 80 P.S.I.G.

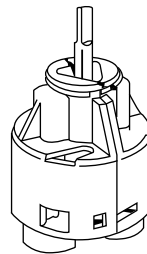
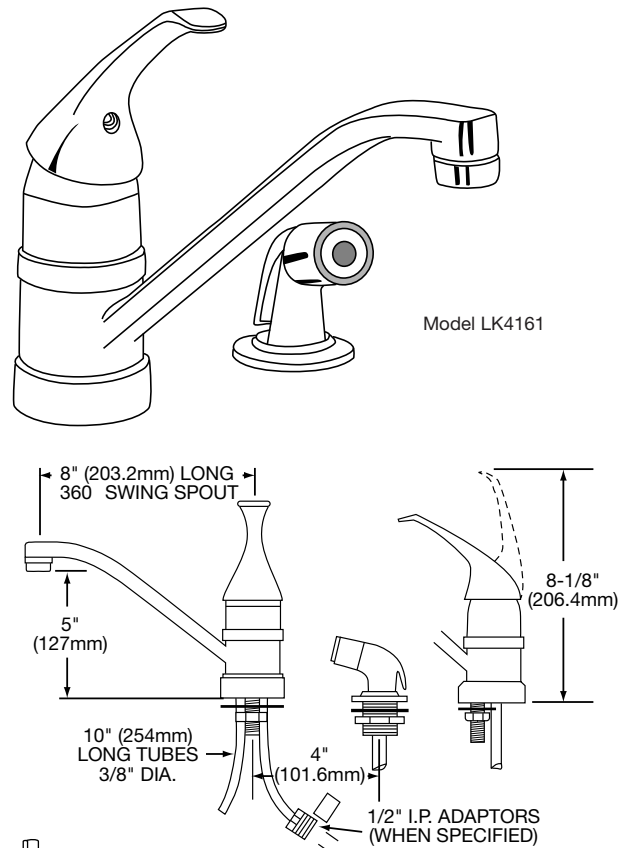
2.2 GPM/8.3 L/min AT 60 P.S.I.G.



These faucets are ADA compliant.



These faucets are classified by Underwriters Laboratory, Inc. to **ANSI/NSF61, Section 9** for residential use.



CARTRIDGE

Maintenance-free, drip-free washerless cartridge that is completely self-contained and easily removable.

A simple cam-activated movement of the diaphragm controls the flow of water with a feather-lite touch.

No springs. No wearing action. And no moving parts exposed to water.

U.S. Patent #4,357,957

ELKAY FAUCET/WATER DISPENSERS LIMITED WARRANTY

Elkay warrants its faucet and water dispensers to be free of defects in workmanship and material for a period of one year from the date of purchase. Replacement parts are available from Elkay for a nominal charge. Upon return of a defective part to Elkay during the warranty period with written notice of the claimed defect, Elkay will refund the replacement charge.

WASTE FITTINGS AND ACCESSORIES ARE NOT WARRANTED; OTHER WARRANTY CONDITIONS:

Our warranty does not cover product failure caused by abusive treatment, misuse, or damage due to handling or faulty installations. This warranty is extended only to the original consumer purchaser of the product. This warranty does not cover shipping costs, labor costs, or any other charges for such items as installation or replacement of the sink, diagnosis or replacement of any faucet or component part, or any other expense or loss.

ALL INCIDENTAL OR CONSEQUENTIAL DAMAGES ARE SPECIFICALLY EXCLUDED. NO ADDITIONAL WARRANTIES, EXPRESS OR IMPLIED, ARE GIVEN. ANY IMPLIED WARRANTY, INCLUDING ONE OF MERCHANTABILITY OR FITNESS FOR A PARTICULAR PURPOSE, IS LIMITED TO THE DURATION OF THIS WRITTEN WARRANTY.

Some states do not allow the exclusion or limitation of incidental or consequential damages or limitations on how long an implied warranty lasts, so the above limitations or exclusions may not apply to you.

This warranty gives you specific legal rights, and you may also have other rights which vary from state to state.

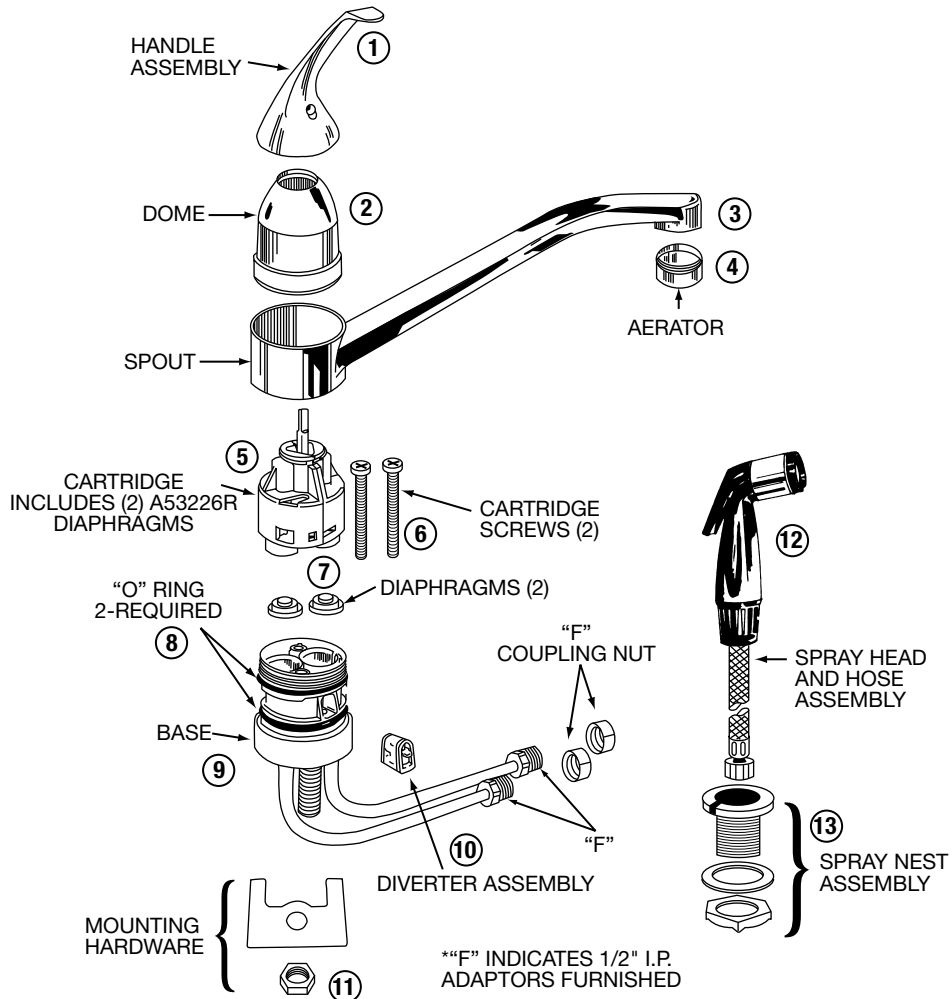
TO OBTAIN SERVICE UNDER WARRANTY

1. Write to: Elkay Manufacturing Company
 Attention: Consumer Service
 2222 Camden Court
 Oak Brook, Illinois 60523
2. Include a letter containing the following information:
 - a. Date of purchase and installation
 - b. Description of nature of defect
 - c. Model number or description of model and/or component part if possible.

Single Lever Kitchen Faucets
Models LK4160 Series (Less Spray)
LK4161 Series (With Spray)



PARTS LIST



KEY	LK4160	LK4161	LK4160AL	LK4161AL	LK4160WH	LK4161WH	LK4160BK	LK4161BK
	CHROME	CHROME	ALMOND	ALMOND	WHITE	WHITE	BLACK	BLACK
	LESS SPRAY	WITH SPRAY	LESS SPRAY	WITH SPRAY	LESS SPRAY	WITH SPRAY	LESS SPRAY	WITH SPRAY
1	A53080	A53080	A53080AL	A53080AL	A53080WH	A53080WH	A53080BK	A53080BK
2	A52364	A52364	A54534	A54534	A54533	A54533	A54532	A54532
3	A52384	A52384	A52384AL	A52384AL	A52384WH	A52384WH	A52384BK	A52384BK
4	A51357	A51357	A51357AL	A51357AL	A51357WH	A51357WH	A51357BK	A51357BK
5	A52399R	A52399R	A52399R	A52399R	A52399R	A52399R	A52399BK	A52399R
6	A52373	A52373	A52373	A52373	A52373	A52373	A52373	A52373
7	A53226R	A53226R	A53226R	A53226R	A53226R	A53226R	A53226R	A53226R
8	A52387	A52387	A52387	A52387	A52387	A52387	A52387	A52387
9	A55055	A55059	A55053	A55057	A55056	A55060	A55054	A55058
10		A52404		A52404		A52404		A52404
11	A52801	A52801	A52801	A52801	A52801	A52801	A52801	A52801
12		A51749		A54351		A54352		A54353
13		A51493		A54354AL		A54354WH		A54354BK