

Single Lever Deluxe Kitchen Faucets
Models LK-4300-F (Less Spray);
LK-4301-F (With Spray)

ELKAY®

SPECIFICATIONS

GENERAL

LK-4300-F single lever top mount kitchen faucet with 9-1/2" tubular swing spout with restricted flow swivel aerator, brass escutcheon, highly polished and chrome plated. Removable cartridge. Temperature and flow controlled by one movement of the single lever handle. All operating parts are replaceable from above deck. 3/8" O.D. copper tube connections. Requires three faucet holes. Ship. Wt. 2-1/2 lbs.

LK-4301-F Same as LK-4300-F except with retractable spray head and hose. Requires four faucet holes. Ship Wt. 3-1/2 lbs.

MAXIMUM FLOW RATE

2.5 GPM/9.5 L/min AT 80 P.S.I.G.

2.2 GPM/8.3 L/min AT 60 P.S.I.G.



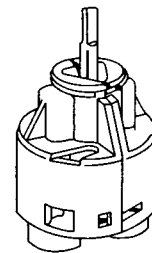
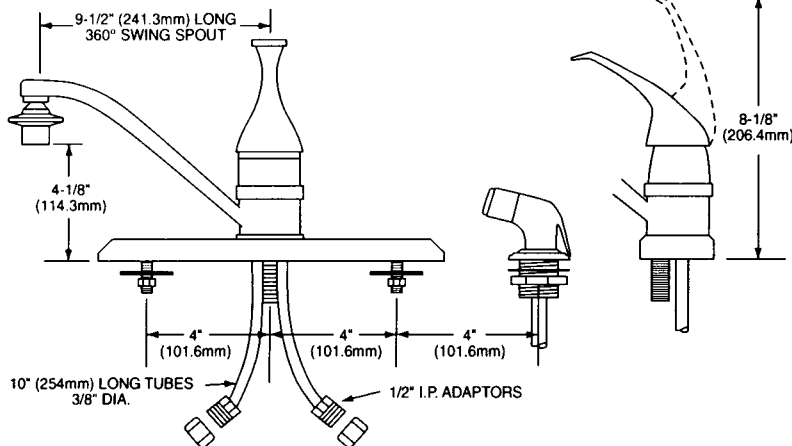
This faucet is ADA compliant.



This faucet is classified by Underwriters Laboratory, Inc. to ANSI/NSF 61, Section 9 for residential use.



Model LK-4301-F Shown



CARTRIDGE

Maintenance-free, drip-free washerless cartridge that is completely self-contained and easily removable.

A simple cam-activated movement of the diaphragm controls the flow of water with a feather-lite touch.

No springs. No wearing action. And no moving parts exposed to water.

U.S. Patent #4,357,957

ELKAY FAUCET/WATER DISPENSERS LIMITED WARRANTY

Elkay warrants its faucet and water dispensers to be free of defects in workmanship and material for a period of one year from the date of purchase. Replacement parts are available from Elkay for a nominal charge. Upon return of a defective part to Elkay during the warranty period with written notice of the claimed defect, Elkay will refund the replacement charge.

WASTE FITTINGS AND ACCESSORIES ARE NOT WARRANTED; OTHER WARRANTY CONDITIONS:

Our warranty does not cover product failure caused by abusive treatment, misuse, or damage due to handling or faulty installations. This warranty is extended only to the original consumer purchaser of the product. This warranty does not cover shipping costs, labor costs, or any other charges for such items as installation or replacement of the sink, diagnosis or replacement of any faucet or component part, or any other expense or loss.

ALL INCIDENTAL OR CONSEQUENTIAL DAMAGES ARE SPECIFICALLY EXCLUDED. NO ADDITIONAL WARRANTIES, EXPRESS OR IMPLIED, ARE GIVEN. ANY IMPLIED WARRANTY, INCLUDING ONE OF MERCHANTABILITY OR FITNESS FOR A PARTICULAR PURPOSE, IS LIMITED TO THE DURATION OF THIS WRITTEN WARRANTY.

Some states do not allow the exclusion or limitation of incidental or consequential damages or limitations on how long an implied warranty lasts, so the above limitations or exclusions may not apply to you.

This warranty gives you specific legal rights, and you may also have other rights which vary from state to state.

TO OBTAIN SERVICE UNDER WARRANTY

1. Write to: Elkay Manufacturing Company
 Attention: Consumer Service
 2222 Camden Court
 Oak Brook, Illinois 60523
2. Include a letter containing the following information:
 - a. Date of purchase and installation
 - b. Description of nature of defect
 - c. Model number or description of model and/or component part if possible.

Single Lever Deluxe Kitchen Faucets
Models LK-4300-F (Less Spray);
LK-4301-F (With Spray)

ELKAY®

PARTS LIST

