

**SPECIFICATIONS**

**GENERAL**

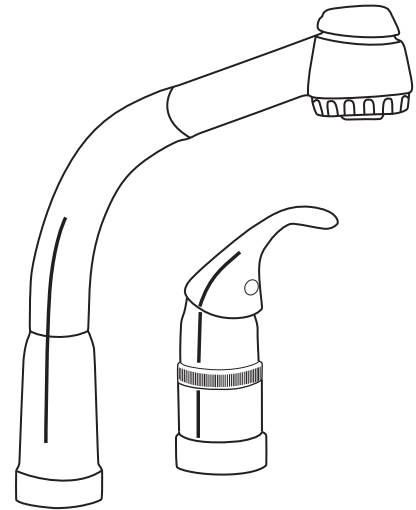
**LK4330FCR** Top mount kitchen faucet with separate single lever control and pullout retractable spray. Restricted swing spout features 9" reach with solid chrome plated brass base and neck assembly with black retractable spray. Single lever control assembly features circular base, solid brass chrome plated handle and patented removable cartridge. Faucet is protected from back flow and/or back siphonage by a combination of two certified check valves. Temperature and flow controlled by one movement of the single lever handle. 3/8" O.D. copper tube connections with 1/2" I.P. connections. Requires 2 faucet holes. Ship. Wt. 8-1/4 lbs.

**LK4330FWH** Same as LK4330FCR except in white epoxy finish. Retractable pullout spray is white.

**LK4330FAL** Same as LK4330FCR except in almond epoxy finish. Retractable pullout spray is almond.

**LK4330FBK** Same as LK4330FCR except in black epoxy finish. Retractable pullout spray is black.

**LK4330FNK** Same as LK4330FCR except in brushed nickel finish. Retractable pullout spray is black.



Model LK4330

**MAXIMUM FLOW RATE**

**2.5 GPM/9.5 L/min AT 80 P.S.I.G.**

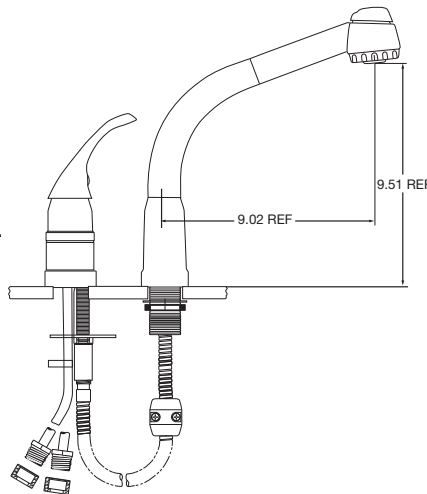
**2.2 GPM/8.3 L/min AT 60 P.S.I.G.**



This faucet is ADA compliant.



This faucet is classified by Underwriters Laboratories Inc. to ANSI/NSF 61 for residential use.



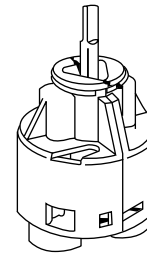
**CARTRIDGE**

Maintenance-free, drip-free washerless cartridge that is completely self-contained and easily removable.

A simple cam-activated movement of the diaphragm controls the flow of water with a feather-lite touch.

No springs. No wearing action. And no moving parts exposed to water.

U.S. Patent #4,357,957



**ELKAY FAUCET/WATER DISPENSERS LIMITED WARRANTY**

Elkay warrants its faucet and water dispensers to be free of defects in workmanship and material for a period of one year from the date of purchase. Replacement parts are available from Elkay for a nominal charge. Upon return of a defective part to Elkay during the warranty period with written notice of the claimed defect, Elkay will refund the replacement charge.

**WASTE FITTINGS AND ACCESSORIES ARE NOT WARRANTED; OTHER WARRANTY CONDITIONS:**

Our warranty does not cover product failure caused by abusive treatment, misuse, or damage due to handling or faulty installations. This warranty is extended only to the original consumer purchaser of the product. This warranty does not cover shipping costs, labor costs, or any other charges for such items as installation or replacement of the sink, diagnosis or replacement of any faucet or component part, or any other expense or loss.

ALL INCIDENTAL OR CONSEQUENTIAL DAMAGES ARE SPECIFICALLY EXCLUDED. NO ADDITIONAL WARRANTIES, EXPRESS OR IMPLIED, ARE GIVEN. ANY IMPLIED WARRANTY, INCLUDING ONE OF MERCHANTABILITY OR FITNESS FOR A PARTICULAR PURPOSE, IS LIMITED TO THE DURATION OF THIS WRITTEN WARRANTY.

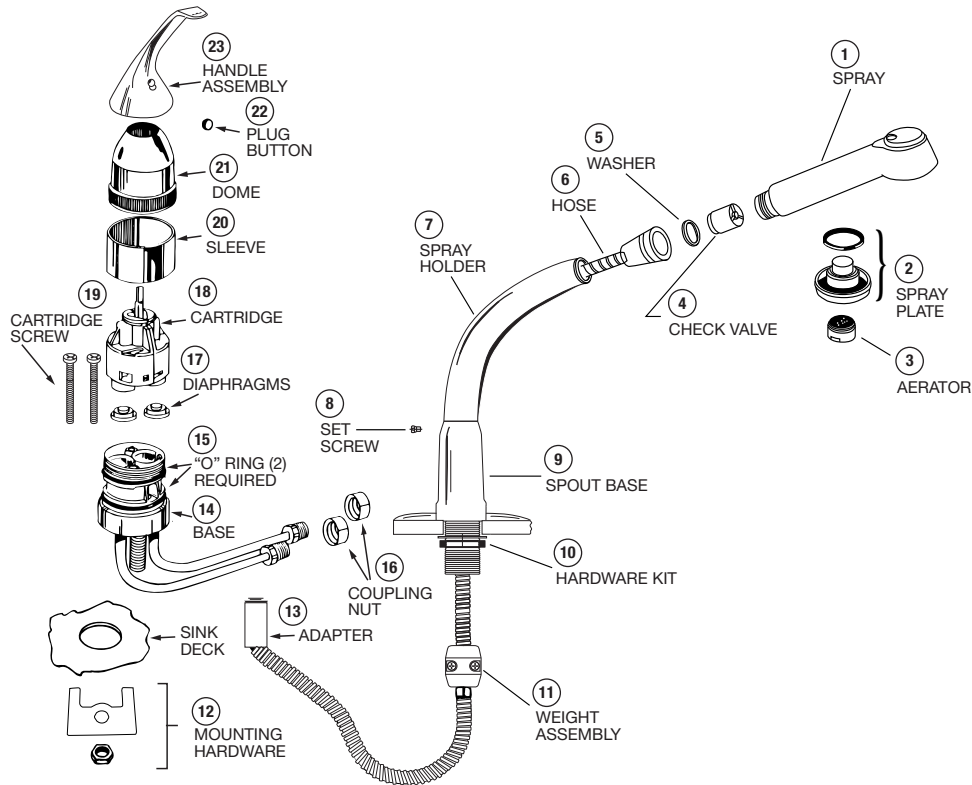
Some states do not allow the exclusion or limitation of incidental or consequential damages or limitations on how long an implied warranty lasts, so the above limitations or exclusions may not apply to you.

This warranty gives you specific legal rights, and you may also have other rights which vary from state to state.

**TO OBTAIN SERVICE UNDER WARRANTY**

1. Write to: Elkay Manufacturing Company  
Attention: Consumer Service  
2222 Camden Court  
Oak Brook, Illinois 60523
2. Include a letter containing the following information:
  - a. Date of purchase and installation
  - b. Description of nature of defect
  - c. Model number or description of model and/or component part if possible.

**PARTS LIST**



KEY	DESCRIPTION	LK4330FCR	LK4330FWH	LK4330FAL	LK4330FBK	LK4330FNK
1	Spray	A55140	A54681	A54680	A54679	A54679
2	Spray Plate	A54678	A54678	A54678	A54678	A54678
3	Aerator	A54646	A54646	A54646	A54646	A54646
4	Check Valve	A54692	A54692	A54692	A54692	A54692
5	Washer	A54207	A54207	A54207	A54207	A54207
6	Spray Hose	A55255	A55255	A55255	A55255	A55255
7	Spray Holder	A55256	A55256WH	A55256AL	A55256BK	A55256NK
8	Set Screw	A55251	A55251	A55251	A55251	A55251
9	Spout Base	A55246	A55246WH	A55246AL	A55246BK	A55246NK
10	Hardware Kit	A55253	A55253	A55253	A55253	A55253
11	Weight Assembly	A54196	A54196	A54196	A54196	A54196
12	Mounting Hardware	A54592	A54592	A54592	A54592	A54592
13	Adapter/Check Valve Kit	A55254	A55254	A55254	A55254	A55254
14	Base Assembly	A55018	A54578	A54575	A54576	A54442N
15	O-Ring (2)	A52387	A52387	A52387	A52387	A52387
16	Coupling Nut (2)	A53048	A53048	A53048	A53048	A53048
17	Diaphragms	A53226R	A53226R	A53226R	A53226R	A53226R
18	Cartridge	A52399R includes A53226R (2)	A52399R includes A53226R (2)	A52399R includes A53226R (2)	A52399R includes A53226R (2)	A52399R includes A53226R (2)
19	Cartridge Screws	A52373	A52373	A52373	A52373	A52373
20	Sleeve	A52848	A54550	A54548	A54549	A52848N
21	Dome	A52364	A54533	A54534	A54532	A55241N
22	Plug Button	A53920	A54337	A54336	A54338	A53920N
23	Handle Assembly (does not include plug button)	A53863	A54377	A54376	A54378	A53863N