

**Regency Pull-Out Spray Collection
Single-Lever Deluxe Kitchen Faucets
Models LK4340FNK (Brushed Nickel)
and LK4340FBC (Brushed Chrome)**

ELKAY®

SPECIFICATIONS

GENERAL

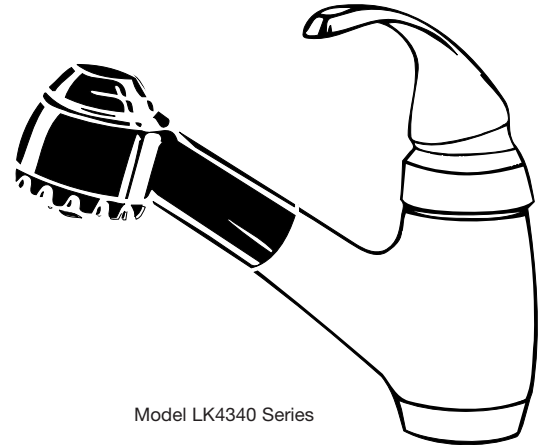
LK4340FNK single-lever top mount kitchen faucet with pull-out retractable spray. Post type with round base. Spout body base, dome and handle are epoxy coated brushed nickel finish. Pull-out retractable sprayer is black. Patented removable cartridge. Temperature and flow controlled by one movement of the single-lever handle. Faucet is protected from back flow and/or back siphonage by the combination of two check valves and a vacuum breaker. All operating parts are replaceable from above deck. 3/8" O.D. copper supply tubes with 1/2" I.P.S. adapters. Requires one faucet hole. Ship. Wt. 8-1/4 lbs.

LK4340FBC same as LK4340FNK except spout body base, dome and handle have brushed chrome finish.

MAXIMUM FLOW RATE

2.5 GPM/9.5 L/min AT 80 P.S.I.G.

2.2 GPM/8.3 L/min AT 60 P.S.I.G.



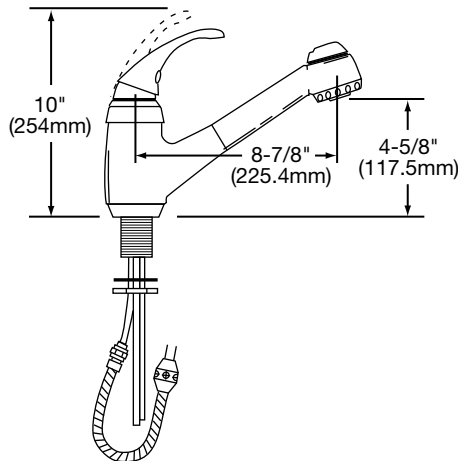
Model LK4340 Series



These faucets are ADA compliant.



These faucets are classified by Underwriters Laboratories Inc. to **ANSI/NSF61** for residential use.



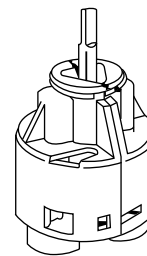
CARTRIDGE

Maintenance-free, drip-free washerless cartridge that is completely self-contained and easily removable.

A simple cam-activated movement of the diaphragm controls the flow of water with a feather-lite touch.

No springs. No wearing action. And no moving parts exposed to water.

U.S. Patent #4,357,957



ELKAY FAUCET/WATER DISPENSERS LIMITED WARRANTY

Elkay warrants its faucet and water dispensers to be free of defects in workmanship and material for a period of one year from the date of purchase. Replacement parts are available from Elkay for a nominal charge. Upon return of a defective part to Elkay during the warranty period with written notice of the claimed defect, Elkay will refund the replacement charge.

WASTE FITTINGS AND ACCESSORIES ARE NOT WARRANTED; OTHER WARRANTY CONDITIONS:

Our warranty does not cover product failure caused by abusive treatment, misuse, or damage due to handling or faulty installations. This warranty is extended only to the original consumer purchaser of the product. This warranty does not cover shipping costs, labor costs, or any other charges for such items as installation or replacement of the sink, diagnosis or replacement of any faucet or component part, or any other expense or loss.

ALL INCIDENTAL OR CONSEQUENTIAL DAMAGES ARE SPECIFICALLY EXCLUDED. NO ADDITIONAL WARRANTIES, EXPRESS OR IMPLIED, ARE GIVEN. ANY IMPLIED WARRANTY, INCLUDING ONE OF MERCHANTABILITY OR FITNESS FOR A PARTICULAR PURPOSE, IS LIMITED TO THE DURATION OF THIS WRITTEN WARRANTY.

Some states do not allow the exclusion or limitation of incidental or consequential damages or limitations on how long an implied warranty lasts, so the above limitations or exclusions may not apply to you.

This warranty gives you specific legal rights, and you may also have other rights which vary from state to state.

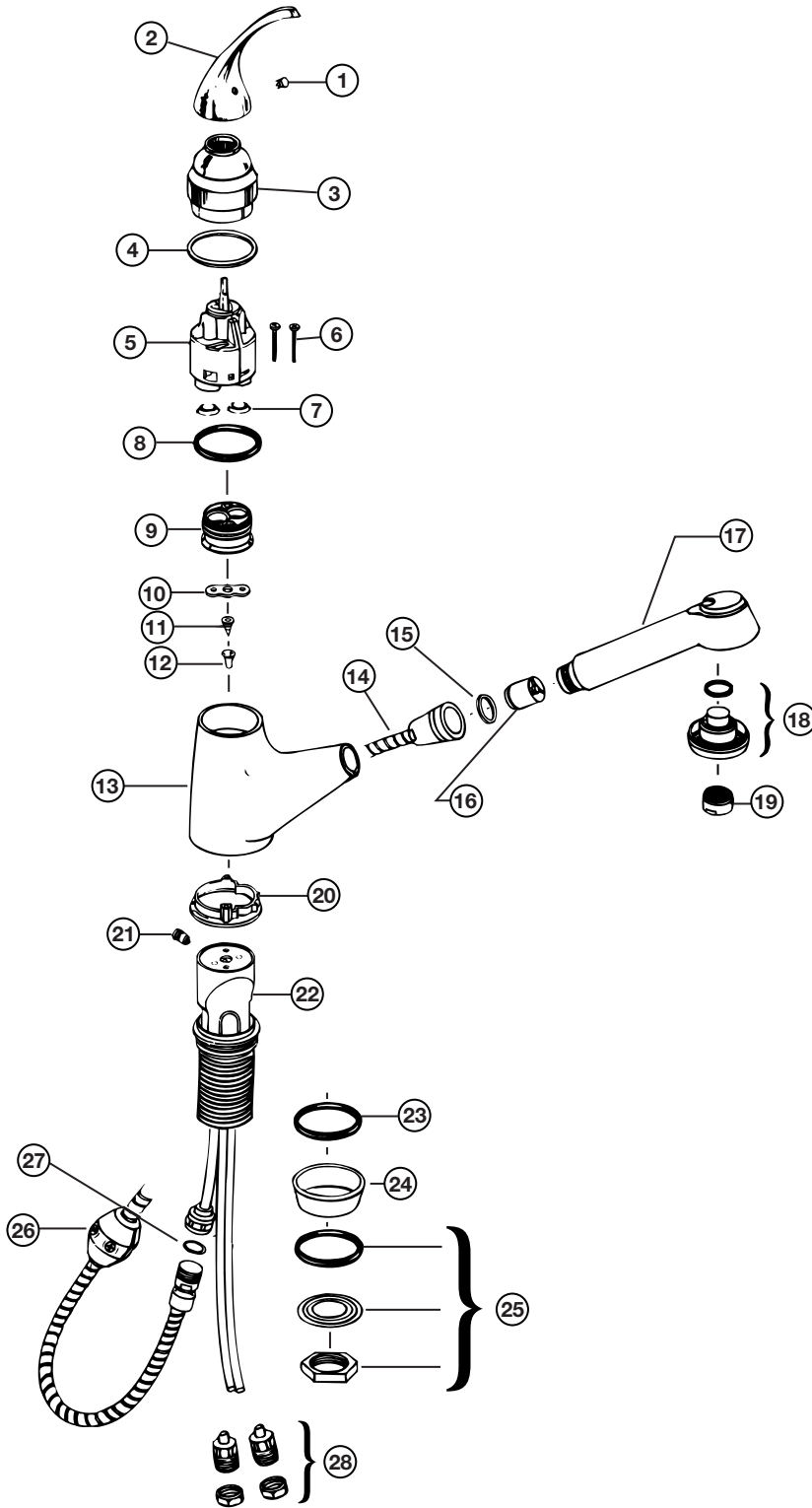
TO OBTAIN SERVICE UNDER WARRANTY

1. Write to: Elkay Manufacturing Company
Attention: Consumer Service
2222 Camden Court
Oak Brook, Illinois 60523
2. Include a letter containing the following information:
 - a. Date of purchase and installation
 - b. Description of nature of defect
 - c. Model number or description of model and/or component part if possible.

**Regency Pull-Out Spray Collection
Single-Lever Deluxe Kitchen Faucets
Models LK4340FNK (Brushed Nickel)
and LK4340FBC (Brushed Chrome)**



PARTS LIST



KEY	PART NUMBER	PART DESCRIPTION
1	A53920N	Handle Button
1	A53920BC	Handle Button
2	A53863N	Handle
2	A53863BC	Handle
3	A55219N	Dome Assembly
3	A55219BC	Dome Assembly
4	A53862	Wear Ring
5	A52399R	Cartridge
6	A52373	Cartridge Screws
7	A53226R	Diaphragms (2)
8	A53245	O-Ring
9	A54606	Lower Housing
10	A52884	Gasket
11	A54635	Orifice
12	A54633	Check Valve
13	A54629N	Spout Body
13	A54629BC	Spout Body
14	A54669	Hose
15	A54207	Washer
16	A54692	Check Valve
17	A54679	Black Spray
18	A54678	Spray Plate
19	A54646	Aerator
20	A54600	Adapter
21	A54490R	Vacuum Breaker
22	A54608	Waterway
23	A54697	O-Ring
24	A54618N	Base
24	A54618BC	Base
25	A54652	Mounting Hardware
26	A54196	Weight Assembly
27	A54195	Washer
28	A54247	I.P.S. Adapter

N – Brushed Nickel Finish
BC – Brushed Chrome Finish

