

**Regency Pull Out Spray Collection
Single Lever Deluxe Kitchen Faucets
LK4350 Series**



SPECIFICATIONS

GENERAL

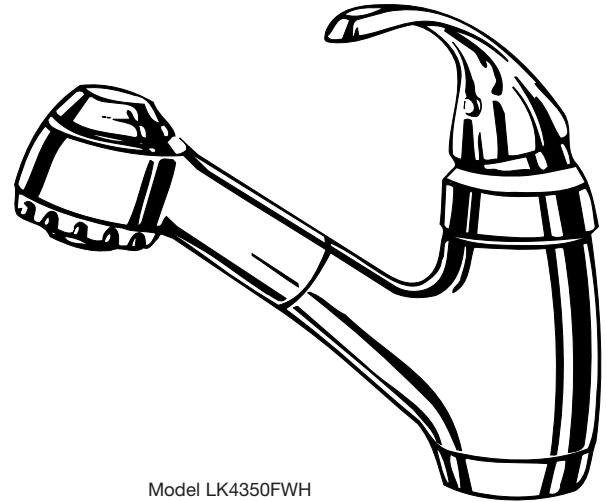
LK4350FCR Single lever top mount kitchen faucet with pull out spray. Post type with round base. Spout body and handle are chrome plated brass. Pull out retractable sprayer is black. Base is black epoxy finish. Patented removable cartridge. Temperature and flow controlled by one movement of the single lever handle. Faucet is protected from back flow and/or backsiphonage by the combination of two check valves and a vacuum breaker. All operating parts are replaceable from above deck. 3/8" O.D. copper supply tubes with 1/2" I.P.S. adapters. Requires one faucet hole. Ship. Wt. 8-1/4 lbs.

LK4350FWH Same as LK4350FCR except spout body and handle are finished in white epoxy. Dome is white and polished brass finish. Base is polished brass. Pull out spray is white.

LK4350FAL Same as LK4350FCR except spout body and handle are finished in almond epoxy. Dome is almond and polished brass finish. Base is polished brass. Pull out spray is almond.

LK4350FBK Same as LK4350FCR except spout body and handle are finished in black epoxy. Dome is black and polished brass finish. Base is polished brass.

LK4350FCRC Same as LK4350FCR except dome is chrome and polished brass finish. Base is polished brass. Pull out spray is chrome.



Model LK4350FWH



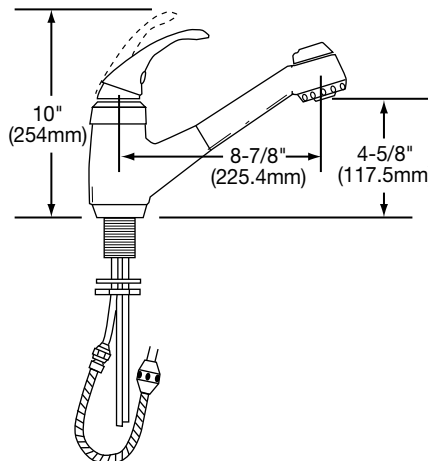
This faucet is ADA compliant.



This faucet is classified by Underwriters Laboratory, Inc. to **ANSI/NSF61, Section 9** for residential use.

MAXIMUM FLOW RATE

2.5 GPM/9.5 L/min AT 80 P.S.I.G.
2.2 GPM/8.3 L/min AT 60 P.S.I.G.



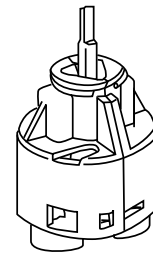
CARTRIDGE

Maintenance-free, drip-free washerless cartridge that is completely self-contained and easily removable.

A simple cam-activated movement of the diaphragm controls the flow of water with a feather-lite touch.

No springs. No wearing parts exposed to water.

U.S. Patent #4,357,957



ELKAY FAUCET/WATER DISPENSERS LIMITED WARRANTY

Elkay warrants its faucet and water dispensers to be free of defects in workmanship and material for a period of one year from the date of purchase. Replacement parts are available from Elkay for a nominal charge. Upon return of a defective part to Elkay during the warranty period with written notice of the claimed defect, Elkay will refund the replacement charge.

WASTE FITTINGS AND ACCESSORIES ARE NOT WARRANTED; OTHER WARRANTY CONDITIONS:

Our warranty does not cover product failure caused by abusive treatment, misuse, or damage due to handling or faulty installations. This warranty is extended only to the original consumer purchaser of the product. This warranty does not cover shipping costs, labor costs, or any other charges for such items as installation or replacement of the sink, diagnosis or replacement of any faucet or component part, or any other expense or loss.

ALL INCIDENTAL OR CONSEQUENTIAL DAMAGES ARE SPECIFICALLY EXCLUDED. NO ADDITIONAL WARRANTIES, EXPRESS OR IMPLIED, ARE GIVEN. ANY IMPLIED WARRANTY, INCLUDING ONE OF MERCHANTABILITY OR FITNESS FOR A PARTICULAR PURPOSE, IS LIMITED TO THE DURATION OF THIS WRITTEN WARRANTY.

Some states do not allow the exclusion or limitation of incidental or consequential damages or limitations on how long an implied warranty lasts, so the above limitations or exclusions may not apply to you.

This warranty gives you specific legal rights, and you may also have other rights which vary from state to state.

TO OBTAIN SERVICE UNDER WARRANTY

1. Write to: Elkay Manufacturing Company
Attention: Consumer Service
2222 Camden Court
Oak Brook, Illinois 60523
2. Include a letter containing the following information:
 - a. Date of purchase and installation
 - b. Description of nature of defect
 - c. Model number or description of model and/or component part if possible.

**Regency Pull Out Spray Collection
Single Lever Deluxe Kitchen Faucets
LK4350 Series**

ELKAY®

PARTS LIST

