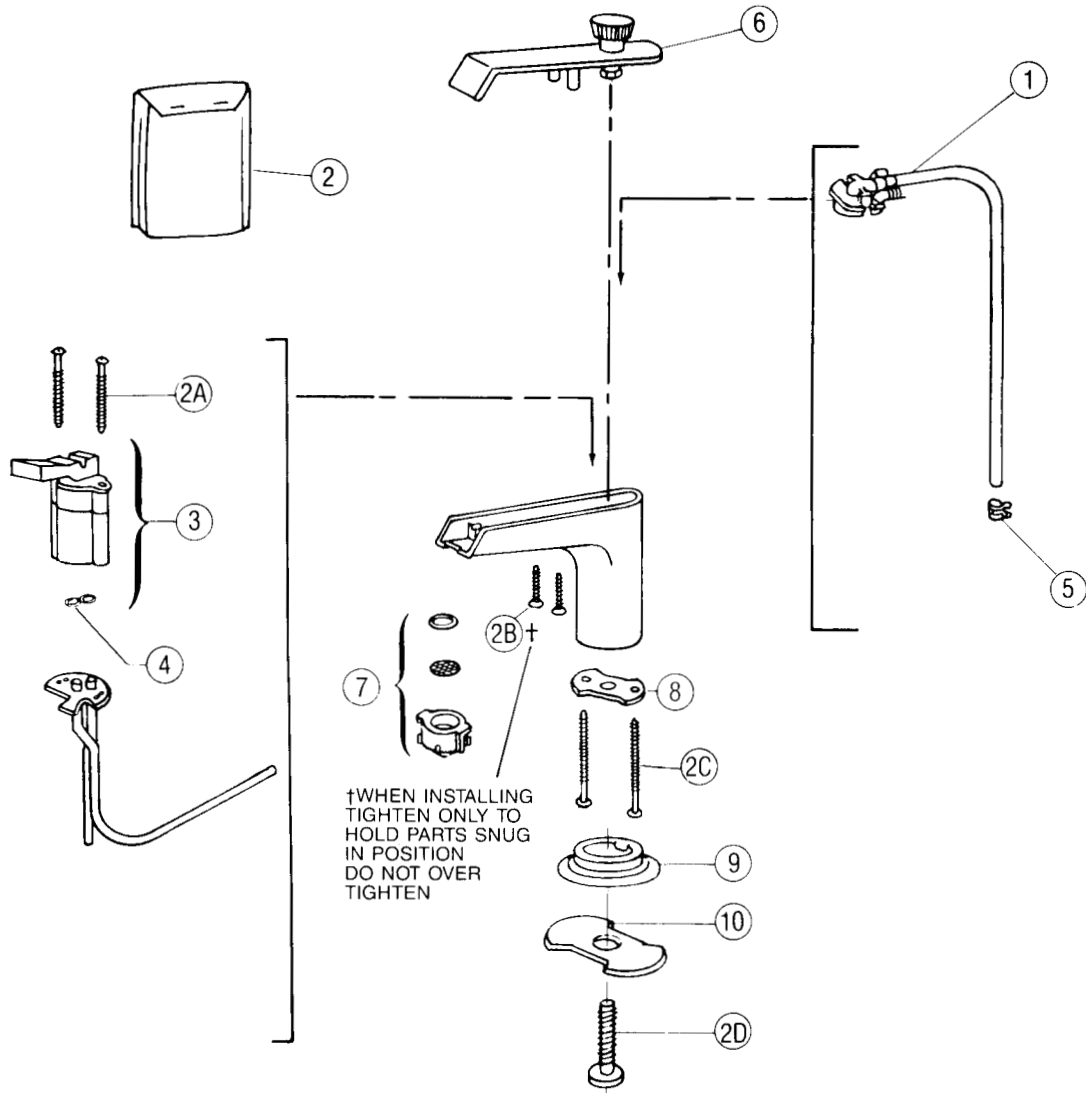


PARTS LIST



PARTS LIST

ITEM NO.	NO. REQ.	PART NO.	DESCRIPTION
1	1	A-53385	Plastic Tube Assembly
2	1	A-53387	Screw Package—Includes items 2A thru 2D
2A	2		6—32 x 1½" Phillips Round Head
2B	2		6—20 x ¾" Self Tapping Phillips Oval Head
2C	2		6—32 x 2" Phillips Round Head
2D	1		¼"—20 x 1¼" Phillips Pan Head
	1		¼"—20 x 1½" Phillips Pan Head
3	1	A-53254	Cartridge Assembly—Includes Item #4 (Gasket)
4	1	A-52595	Gasket
5	1	70346-C	Tube Clamp
6	1	A-53386	Top Cover Plate Assembly
	1	A-53386AL	Top Cover Plate Assembly (Almond)
	1	A-53386BK	Top Cover Plate Assembly (Black)
	1	A-53386WH	Top Cover Plate Assembly (White)
7	1	A-53255	Stream Assembly
8	1	A-52613	Plate (Bottom)
9	1	A-52614	Escutcheon (Chrome)
	1	A-52614AL	Escutcheon (Almond)
	1	A-52614BK	Escutcheon (Black)
	1	A-52614WH	Escutcheon (White)
10	1	21588-C	"H" Washer

ORDER BY PART NUMBER, NOT ITEM NUMBER

All parts F.O.B. Agency/Depot. Include Serial and Model Number of Dispenser when ordering.

PARTS LIST

