

The Hot Water Machine by Elkay®
Models LKH180, LKH190AL,
LKH190BK and LKH190WH



SPECIFICATIONS

Elkay's water dispensers are available in decorator colors and feature our no-lead design.

With waterway systems completely free of lead-containing materials, LKH180 and LKH190 dispensers ensure that no lead is being added to your drinking water.

HOT WATER MACHINE

Time-saving and energy-saving, Elkay's Hot Water Machine is the modern way to get instant hot water for coffee, tea or cocoa. For instant soup, oatmeal or instant anything. Or, just get a head start for boiling water!

Push in the red button on top of the dispenser and get hot water instantly. No splashing or splattering. Just a steady, consistent stream of hot water. The push-button also has a child resistant, 1/4-turn locking feature to prevent accidental scalding.

Compact heater tank connects right into undersink plumbing and is adjustable for 140° to 190°F water temperature.

SPECIFICATIONS

Electrical: 120 volts, 60 Hz, 750 watts, 6.8 amps

Tank Capacity: 0.65 gallons. Up to 60 four ounce cups of 190°F water per hour.

Energy Consumption: 0.45 kw-hr./day non-use condition.

Thermostat: Adjustable from 140° to 190°F.

Installation Hole: 1-1/8" to 1-5/8" diameter.

Maximum thickness of mounting surface: 1-1/8".

Tank housing maximum depth from wall: 7-1/2".

Electrical Cord: 3' cord with grounded, 3-prong plug.

Model LKH180 only available in chrome.

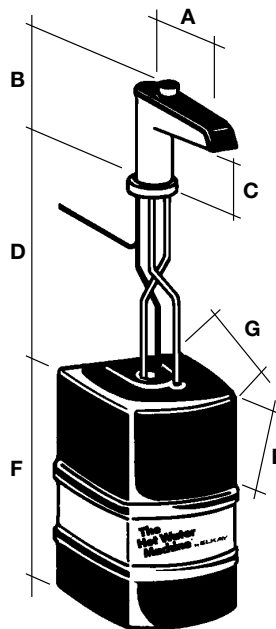
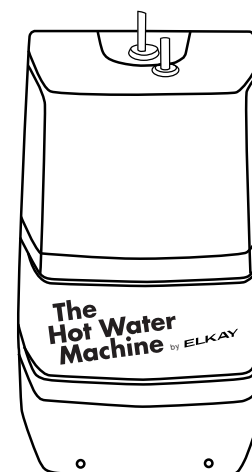
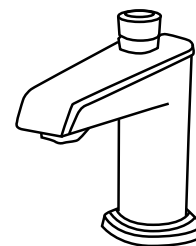
Model LKH190 available in Almond – LKH190AL,

Black – LKH190BK or White – LKH190WH.

Ship Wt.: 9 lbs.



The Hot Water Machine by Elkay® is classified by Underwriters Laboratories Inc. to **ANSI/NSF 61** for residential use.



- A Width Center to Center – 4"
- B Overall Height – 4-7/8"
- C Height Deck to Spout – 2-3/4"
- D Tubes Length – 17"
- E Width of Canister – 7-5/8"
- F Height of Canister – 11"
- G Depth of Canister – 7-3/8"

LIMITED WARRANTY

The Hot Water Machine unit is warranted to the owner for one year from date of purchase, to be free from manufacturing defects in workmanship and material. Replacement parts are available from Elkay for a nominal charge. Upon return of a defective part to Elkay during the warranty period with written notice of the claimed defect, Elkay will refund the replacement charge.

This warranty shall apply only if the unit is installed in accordance with the installation instructions, is used on electrical circuits and currents specified, has normal household use and service, and shows no evidence of having been started up "dry", (i.e.—without water in tank).

OTHER WARRANTY CONDITIONS

Our warranty does not cover product failure caused by abusive treatment, misuse, or damage due to handling or faulty installations. This warranty is extended only to the original consumer purchaser of the product. This

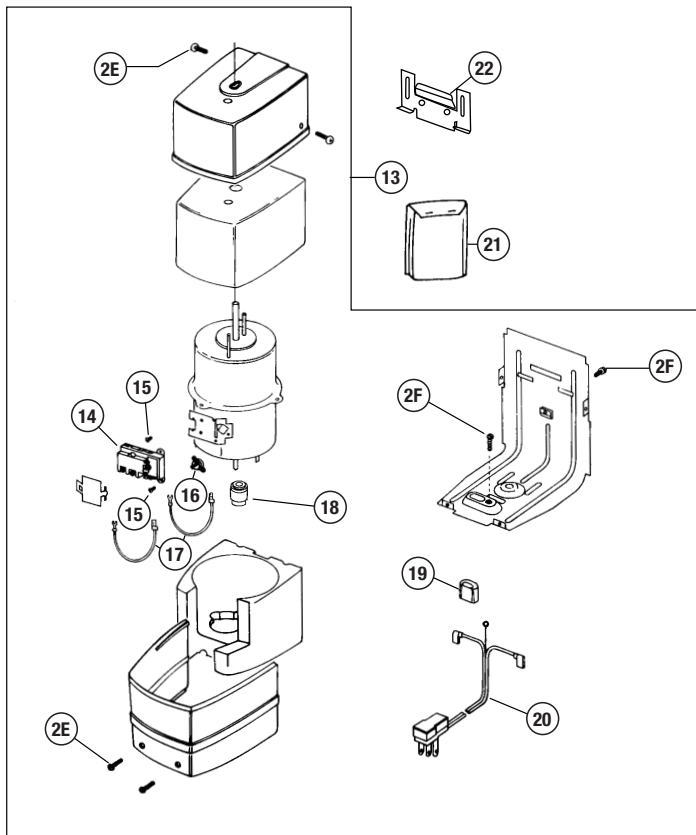
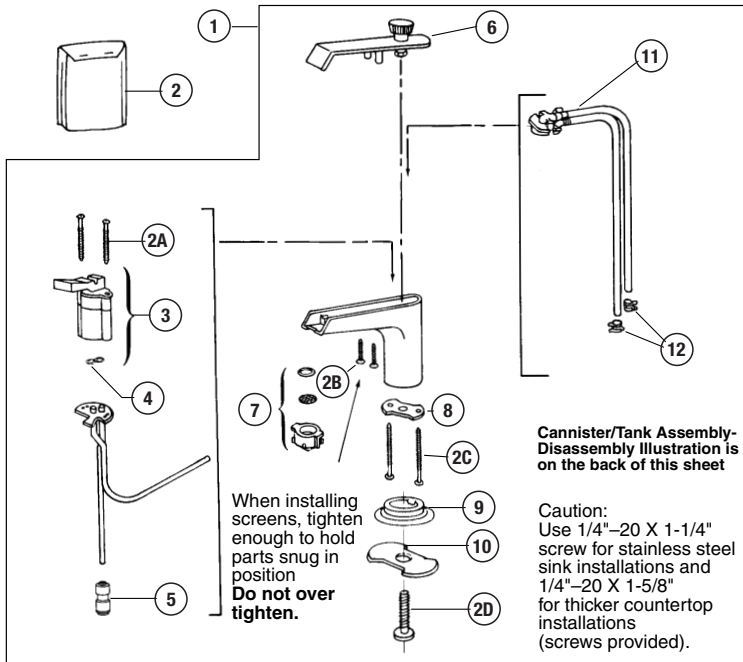
warranty does not cover shipping costs, labor costs, or any other charges for such items as installation or replacement of the sink, diagnosis or replacement of any faucet component part, or any other expense or loss.

ALL INCIDENTAL OR CONSEQUENTIAL DAMAGES ARE SPECIFICALLY EXCLUDED. NO ADDITIONAL WARRANTIES, EXPRESS OR IMPLIED, ARE GIVEN. ANY IMPLIED WARRANTY, INCLUDING ONE OF MERCHANTABILITY OR FITNESS FOR A PARTICULAR PURPOSE, IS LIMITED TO THE DURATION OF THIS WRITTEN WARRANTY.

Some states do not allow the exclusion or limitation of incidental or consequential damages or limitations on how long an implied warranty lasts, so the above limitations or exclusions may not apply to you.

This warranty gives you specific legal rights, and you may also have other rights which vary from state to state.

PARTS LIST

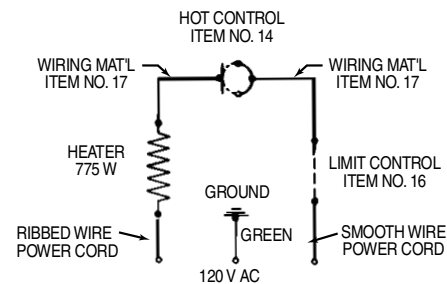


PARTS LIST

Key	No. Req.	Part No.	Description
1	1	61274C	Valve Dispensing Assembly (LKH180)
	1	61274CAL	Valve Dispensing Assembly (LKH190AL)
	1	61274CWH	Valve Dispensing Assembly (LKH190WH)
	1	61274CBK	Valve Dispensing Assembly (LKH190BK)
2	1	70391C	Screw Package—Includes Items 2A thru 2F
2A	2		6-32 x 1-1/2" Phillips Round Head
2B	2		6-20 x 3/4" Self Tapping Phillips Oval Head
2C	2		6-32 x 2" Phillips Round Head
2D	1		1/4"-20 x 1-5/8" Phillips Pan Head
	1		1/4"-20 x 1-1/4" Phillips Pan Head
2E	4		8-32 x 1/2" Self Tapping Phillips Truss Head
2F	2		8-36 x 3/8" Self Tapping Hex Head
3	1	A53254	Cartridge Assembly—Includes Item #4 (Gasket)
4	1	A52595	Gasket
5	1	70745C	Union 3/8" x 1/4"
6	1	A53253	Top Cover Plate Assembly (LKH180)
	1	A53253AL	Top Cover Plate Assembly (LKH190AL)
	1	A53253BK	Top Cover Plate Assembly (LKH190BK)
	1	A53253WH	Top Cover Plate Assembly (LKH190WH)
7	1	A53255	Stream Assembly
8	1	A52613	Plate (Bottom)
9	1	A52614	Escutcheon (LKH180)
	1	A52614AL	Escutcheon (LKH190AL)
	1	A52614BK	Escutcheon (LKH190BK)
	1	A52614WH	Escutcheon (LKH180)
10	1	21588C	"H" Washer
11	1	A53256	Plastic Tube Assembly
12	2	70346C	Tube Clamp
13	1	A54773	Cannister Assembly 115V
		A54774	230V 50/60 HZ
14	1	30511C	Control (Hot)
15	2	70302C	Screw—6-32 x 3/16" Phillips Self Tapping
16	1	A54729	Limit Control—Resettable
17	2	30442C	Wire Lead
18	1	70606C	Drain Plug
19	1	38397000	Strain Relief—Power Cord
20	1	30355C	Power Cord
21	1	A54864	Installation Hardware Kit (Includes Items 2D, 5, 10, 12, 23)
22	1	21577C	Bracket—Hanger
23	1	A54866	Installation Manual (Not Shown)

ORDER BY PART NUMBER

All parts F.O.B. Agency/Depot.
 Include Serial and Model Number of Dispenser when ordering.



ELECTRICAL SCHEMATIC