

# Installation Instructions

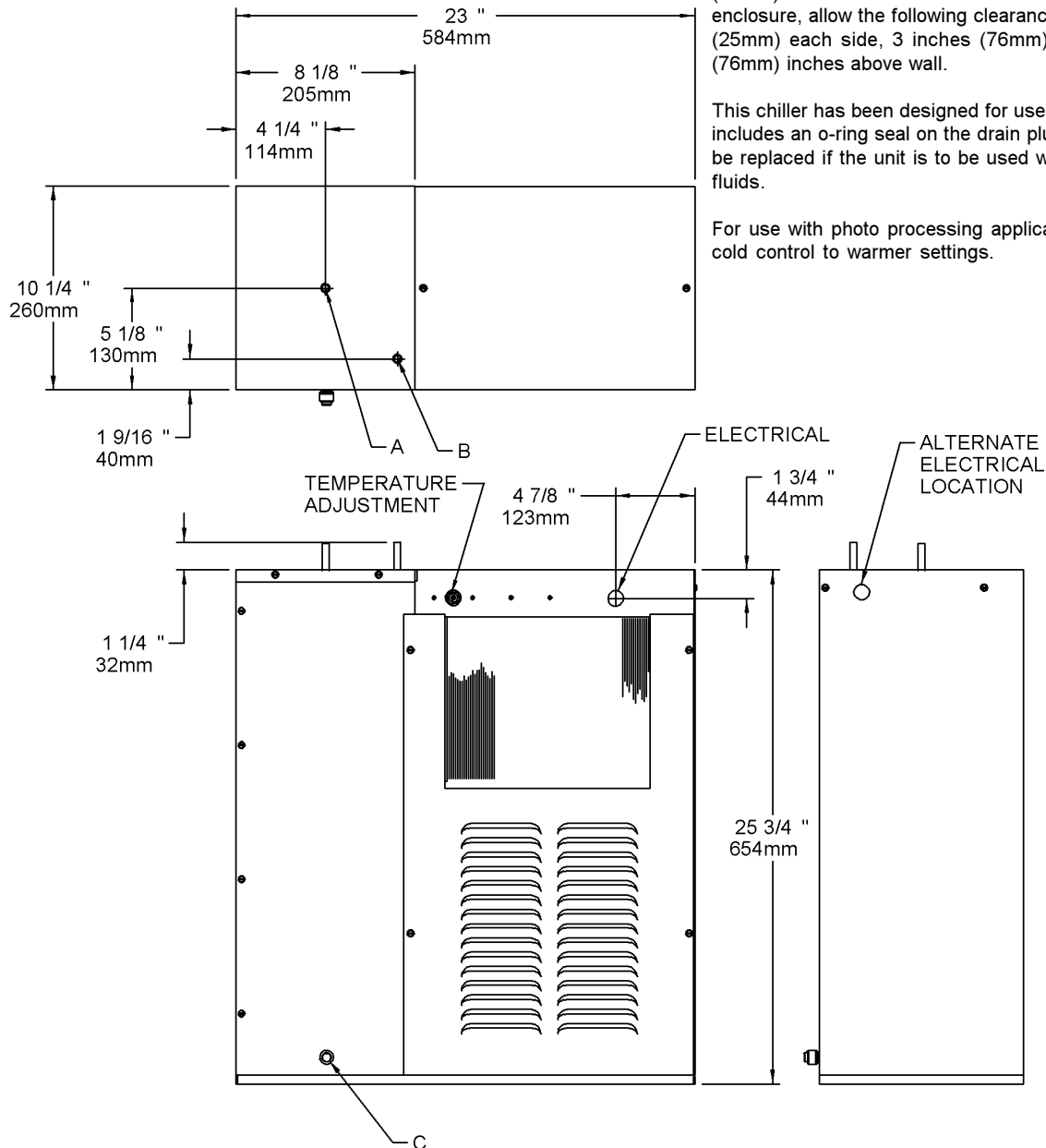
## HRC419 HRC41950 Refrigeration Packages

**NOTICE:** This water cooler must be connected to the water supply using a dielectric coupling.

**NOTE:** It is important to insure proper ventilation. Allow a minimum clearance of 12 inches (305 mm) in front and 3 inches (76mm) in the rear of the unit. If unit is to be installed in an enclosure, allow the following clearances around unit - 1 inch (25mm) each side, 3 inches (76mm) in the rear, 3 inches (76mm) inches above wall.

This chiller has been designed for use with potable water and includes an o-ring seal on the drain plug. The fitting should be replaced if the unit is to be used with more aggressive fluids.

For use with photo processing applications, adjust cold control to warmer settings.



**LEGEND**

- A = 3/8" O.D. TUBE WATER OUT
- B = 3/8" O.D. TUBE WATER INLET
- C = 3/8" O.D. TUBE TANK DRAIN

**INSTALLATION**

1. Potable water inlet and outlet are 3/8" (9 mm) O.D. tube located on top of unit. Contractor to supply connections as required.
2. Connecting lines to be of copper, thoroughly flushed to remove all foreign matter before being connected to cooler. If flushing does not remove all particles, a water strainer should be installed in supply line.
3. Connect cooler to building supply line with a shut-off valve and install a union connection between the valve and cooler.
4. Electrical: Make sure power supply is identical in voltage, cycle, and phase to that specified on cooler serial plate. Never wire compressor directly to the power supply.

**START-UP**

1. Open supply line valve.
2. Purge air from all water lines by operating bubbler valve of fountain.
3. Connect to electrical power.

**TROUBLE SHOOTING & MAINTENANCE**

**Temperature Control:** Factory set for 50° F water under normal conditions. To adjust water temperature, turn screw on Item No. 2 clockwise for colder, counter clockwise for warmer.

**Ventilation:** Cabinet louvers should be periodically cleaned with brush, air hose or vacuum cleaner. Excess dirt or poor ventilation can cause no cold water and compressor cycling on the compressor overload protector

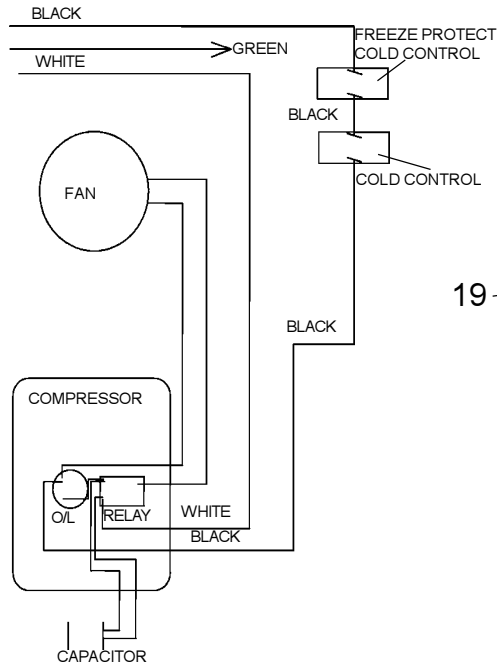
**Lubrication:** Motors are lifetime lubricated.

ITEMIZED PARTS LIST		
ITEM NO.	PART NO.	DESCRIPTION
1	23089C	Terminal Box Cover
2	35882C	Cold Control
3	35895C	Cold Control (Freeze Protect)
4	36072C	Fan Motor
5	30502C	Fan Blade
6	41991000	Fan Bracket
7	70018C	Fan Nut
8	70009C	Motor Mounting Screw
9	66628C	Condenser
10	32817000	Shroud
11	35921C	Capacitor
12*	36074C	Compressor Serv Pak (115v)
13	30812C	Overload
14	30234C	Clip Compressor
15	30233C	Overload Spring
16	30235C	Terminal Cover
17	36079C	Relay
18	50196C	Grommet
19	66625C	Evaporator Assy
20	27957C	Insulation Box Cover
21	70772C	Drain Plug
22	27197C	Grill (Front)
23	28176C	Base Assy
24	28180C	Insulation Box Panel (Rear)
25	23101C	End Panel
26	23104C	Insulation Box (Front)
27	28178C	Terminal Box
28	66629C	Heat Exchanger
29	35845C	Cap-Capacitor
30	35846C	Bracket-Capacitor
31	30560C	Terminal Cover
32	70274C	Compressor Mounting Sleeve
NS	27198C	Grill (Rear)
NS	66204C	Drier

HRC41950 - 220V, 50 HZ

ITEM NO.	PART NO.	DESCRIPTION
4	36073C	Fan Motor
11	35942C	Capacitor
12*	36075C	Compressor Serv Pak
13	30813C	Overload
17	35867C	Relay

\*INCLUDES RELAY & OVERLOAD. IF UNDER WARRANTY, REPLACE WITH SAME COMPRESSOR USED IN ORIGINAL ASSEMBLY.  
 NOTE: All correspondence pertaining to any of the above water cooler or orders for repair parts MUST include model number and serial number of cooler, name and part number of replacement part.



**WIRING DIAGRAM**

