

**WHEELCHAIR LEVEL • WALL MOUNTED  
8 GPH COOLER  
WITH PUSH BAR CONTROLS**

**EHFA-8-1  
EHFSA-8-1**

**TWCFSA-8-1  
TWCFSA-8-1**

**INSTALLATION**

1. Insure proper ventilation by maintaining 6" (152 mm) clearance from cabinet louvers to wall on each side of cooler.
2. Stream height is factory set at 35 PSI. If supply pressure varies greatly from this, adjust screw on item 34 (Fig. 3). CW adjustment will raise stream and CCW adjustment will lower stream. For best adjustment, stream should hit basin approximately 6-1/2" (165 mm) from bubbler.
3. Connecting lines to be of copper, thoroughly flushed to remove all foreign matter before being connected to cooler.
4. Connect cooler to building supply line with a shut-off valve and install a 3/8" (9 mm) water line between the valve and cooler. Remove burr from outside of water line. Loosen nut on inlet side of Y-strainer and insert water line to positive stop approximately 3/4 inch (19 mm). Finger tighten nut to lock tubing in place.
5. Electrical: Insure power supply is identical voltage, cycle and phase to that specified on cooler serial data plate. Never wire compressor directly to the power supply.
6. These products are designed to operate on 20 psig to 105 psig supply line pressure. If inlet pressure is above 105 psig, a pressure regulator must be installed in the supply line. Any damage caused by reason of connecting this product to supply line pressures lower than 20 psig or higher than 105 psig is not covered.

**IMPORTANT! INSTALLER PLEASE NOTE**

The grounding of electrical equipment such as telephone, computers, etc., to water lines is a common procedure. This grounding may be in the building, or may occur away from the building. This grounding can cause electrical feedback into a water cooler, creating an electrolysis which causes a metallic taste or an increase in the metal content of the water. This condition is avoidable by using the proper materials as indicated below.

- To minimize electrically induced corrosion, all water coolers should be connected to the water supply using an electrically isolating coupling.
- The drain fittings which are provided by the installer should also be plastic to electrically isolate the cooler from the building plumbing system.

**START-UP**

1. Release air from tank holding push bar open. Steady stream flow assures all air removed.
2. Stream height is factory set at 35 PSI. If supply pressure varies greatly from this, adjust screw on item 34 (Fig. 3). CW adjustment will raise stream and CCW adjustment will lower stream. For best adjustment, stream should hit basin approximately 6-1/2" (165 mm) from bubbler.
3. Rotate fan to insure proper clearance and free fan action.
4. Connect to electrical power.

**TROUBLE SHOOTING & MAINTENANCE**

**Orifice Ass'y.:** Mineral deposits on orifice can cause water flow to spurt or not regulate. Mineral deposits may be removed from the orifice with a small round file not over 1/8" (3 mm) dia. or small diameter wire. Caution: **DO NOT** file or cut orifice material.

**Stream Regulator:** If orifice is free of mineral deposits, regulate flow as in "START-UP" instructions above. If the stream is low when one side "PUSH BAR" is depressed and normal when the other side is depressed, adjust by bending the linkage (Item 56, Fig. 4). Increase the length of the linkage of the side bar that does not give the correct stream height. If the stream height is low when both side "Push Bars" are depressed, adjust position of regulator holder (Item 35, Fig. 3) forward. (Remove front "Push Bar" to make this adjustment.)

**Front Push Bar Adjustment:** To adjust movement of push bar on Front Push Bar Models only, loosen the bottom hex nut on push bar stop (Item 46, Fig. 5) and turn upper hex nut up or down to reach desired adjustment. Retighten bottom hex nut to maintain adjustment. If water flow is not correct, see "Stream Regulator" (above).

**Side Push Bar Alignment:** If side "Push Bars" are not in alignment with the side panels, adjustment can be made by removing the front panels, and loosening the two push bar mounting screws (Item 42, Fig. 4). Make required adjustment and tighten the screws.

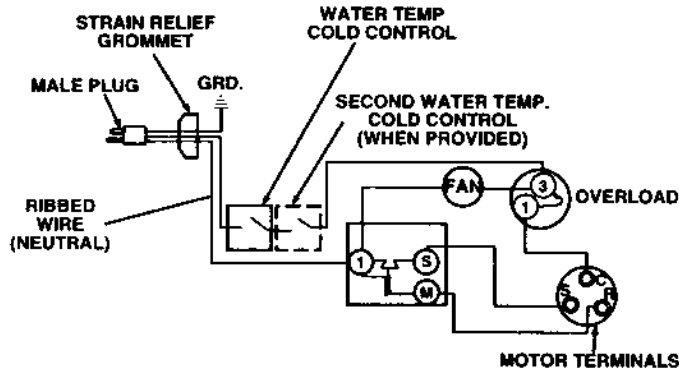
**Actuation of Quick Connect Water Fittings:** Cooler is provided with lead-free connectors which utilize an o-ring seal. To remove tubing from the fitting, relieve water pressure, push in on the gray collar while pulling on the tubing. To insert tubing, push tube straight into fitting until it reaches a positive stop, approximately 3/4 in. (19 mm). See Fig. 6.

**Lubrication:** Motors are life time lubricated.

**Storage or Return Shipment:** If the cooler is removed from service, the water should be drained from the system. To drain, remove the drain plug (Item 48) from the bottom of the evaporator tank (Item 25, Fig. 1) and depress the press bar (regulator valve), until water stops flowing.

Item No.	Part No.	Description
1	21222-C	Basin
	21223-C	Basin-Bronzetone
2	50186-C	Shroud-Fan
3	60199-C	Condenser
4	30271-C	Motor-Fan
	30074-C	Blade-Fan
	20617-C	Bracket-Motor Mtg.
	70018-C	Nut-Fan Blade
	70261-C	Silencer-Fan Blade
	70287-C	Screw-Motor Mtg.
5	51349-C	Bubbler Ass'y. Complete
	51350-C	Bubbler Ass'y. Complete-Bronzetone
6	40322-C	Orifice Ass'y.
	40066-C	Orifice Ass'y.-Bronzetone
7	50934-C	Housing Ass'y.
8	50168-C	Pedestal
	50373-C	Pedestal-Bronzetone
9	70012-C	Locknut
10	60194-C	Drier
11-16	SEE TABLE	SEE TABLE
17	50144-C	Grommet-Compressor
18	70150-C	Mtg. Washer-Compressor
19	70184-C	Mtg. Pin-Compressor
20	30504-C	Control-Cold
21	30232-C	Cord-Power
22	40572-C	Waste Line
23	50074-C	Waste Line Gasket
24	40575-C	Strainer Ass'y.-Basin
	40576-C	Strainer Ass'y.-Basin-Bronzetone
25	62020-C	Evaporator Tank
26	61231-C	Heat Exchanger

\* INCLUDES RELAY & OVERLOAD. IF UNDER WARRANTY, REPLACE WITH SAME COMPRESSOR USED IN ORIGINAL ASSEMBLY.  
NOTE: All correspondence pertaining to any of the above water coolers orders for repairs parts MUST include model number and serial number of cooler, name and part number or replacement part.  
PRODUCT MAY BE MANUFACTURED UNDER U.S. PATENT NO. 4,481,971.



When Equipped With Aspera Compressor Model #A5160C B/M#144NG30		
11*	30666-C	Compressor (Service Pack)
12	30419-C	Relay 9660-042-171
13	30120-C	Overload MRT26ALK-69
14	30233-C	Overload Spring
15	30235-C	Terminal Cover
16	30234-C	Bale Strap

When Equipped With Tecumseh Compressor Model #AE3425D B/M#AE170BS-718-A2		
11*	30915-C	Compressor (Service Pack)
12	30143-C	Relay 9660-042-172
13	30907-C	Overload MRP36ALZ-69
14	30180-C	Overload Spring
15	30181-C	Terminal Cover
16	30182-C	Bale Strap

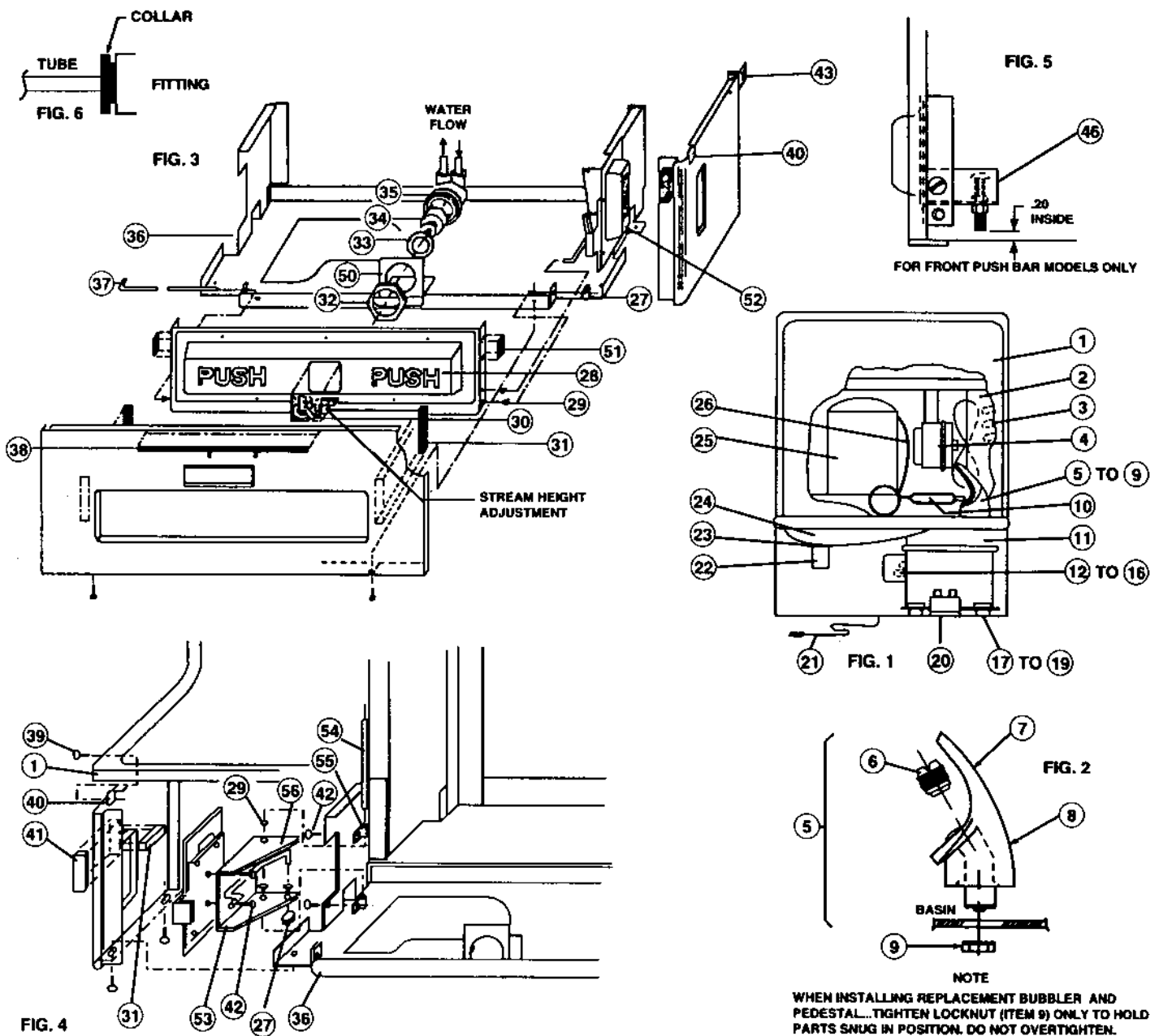
When Equipped With Tecumseh Compressor Model #AE3425D B/M#AE170BT-171-A		
11*	30914-C	Compressor (Service Pack)
12	30143-C	Relay 9660-042-172
13	30250-C	Overload MRP36ALK-69
14	30180-C	Overload Spring
15	30181-C	Terminal Cover
16	30182-C	Bale Strap

When Equipped With Matsushita Compressor Model #QA77V19GA B/M#91-152760		
11*	31316-C	Compressor (Service Pack)
12	31320-C	Relay 06-266170
13	31321-C	Overload 06-262600
14	31324-C	Overload Spring
15	31322-C	Terminal Cover
16	31323-C	Bale Strap

**(CONTINUED) WHEELCHAIR LEVEL • WALL MOUNTED  
8 GPH COOLER  
WITH PUSH BAR CONTROLS**

Item No.	Part No.	Description
27	70283-C	Retaining Clip
28	21397-C	Front Push Bar Ass'y.-Vinyl Units
	21517-C	Front Push Bar Ass'y.-Stainless Steel Units
	21398-C	Front Push Bar Ass'y.-Bronzetone
29	50198-C	Bushing
30	90674-C	Handicap Emblem Insert
31	50079-C	Panel Bumpers
32	40045-C	Hex Nut
33	10031-C	Retaining Nut
34	61314-C	Regulator
35	50985-C	Holder Regulator
36	21299-C	Base Ass'y.
37	70278-C	Pivot Rod-Front
38	89099000	Sound Dampening Material
39	70862-C	Basin Screw
	70863-C	Basin Screw-Bronzetone
40	70055-C	Basin Clip
41	50123-C	Panel Bumper
42	70002-C	Mtg. Screw

Item No.	Part No.	Description
43	70142-C	Mtg. Clip
44	20430-C	Bracket-Lower (Wall Mtg.)
45	20774-C	Bracket-Upper (Wall Mtg.)
46	21815-C	Push Bar Stop Ass'y. (Fig. 5)
47	70788-C	Y-Strainer (Not Shown)
48	70772-C	Plug-Drain (Not Shown)
49	70767-C	Clip-Evap. Retaining (Not Shown)
50	22574-C	Bracket-Regulator Mounting
51	50036-C	Push Bar Bumpers
52	21399-C	Side Push Bar Ass'y.-Right-Vinyl Units
	21400-C	Side Push Bar Ass'y.-Left-Vinyl Units
	21518-C	Side Push Bar Ass'y.-Right-Stainless Steel Units
	21519-C	Side Push Bar Ass'y.-Left-Stainless Steel Units
	21401-C	Side Push Bar Ass'y.-Right-Bronzetone Units
	21402-C	Side Push Bar Ass'y.-Left-Bronzetone Units
53	21298-C	Side Push Lever
54	70281-C	Pivot Rod-Side
55	70282-C	Mtg. Clip
56	70279-C	Linkage-Right
	70280-C	Linkage-Left



**NOTE**  
WHEN INSTALLING REPLACEMENT BUBBLER AND PEDESTAL...TIGHTEN LOCKNUT (ITEM 9) ONLY TO HOLD PARTS SNUG IN POSITION. DO NOT OVERTIGHTEN.