

With FLEXI-GUARD®

Installation/Care/Use Manual

USES HFC-134A REFRIGERANT

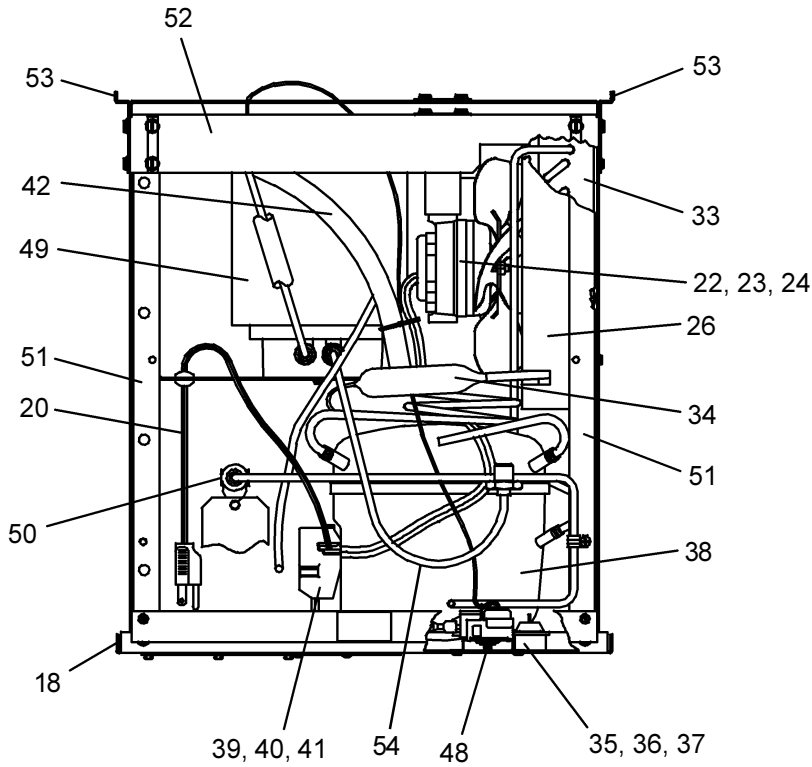
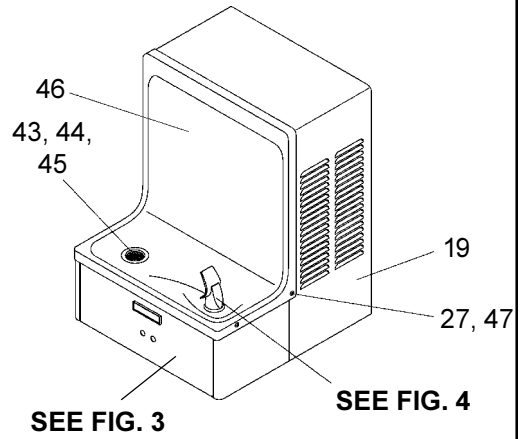
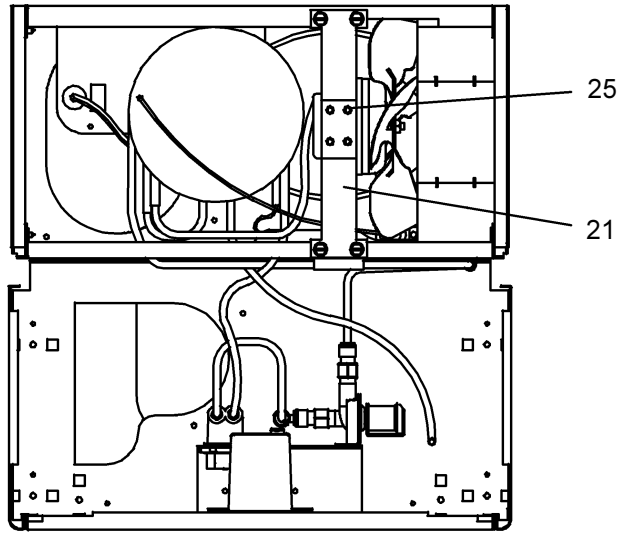


FIG. 1

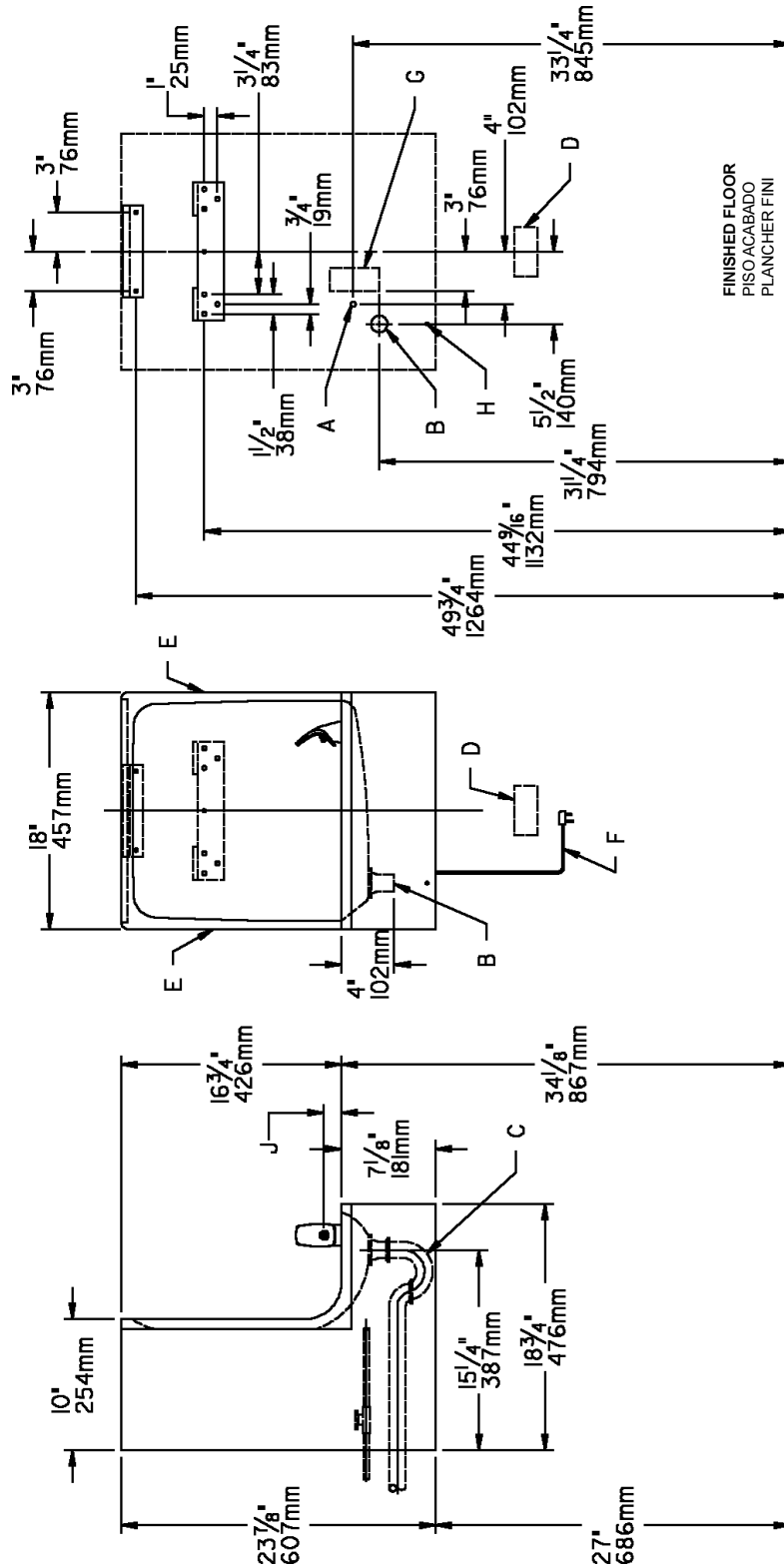


FIG. 2

E = INSURE PROPER VENTILATION BY MAINTAINING 6" (152mm) (MIN.) CLEARANCE FROM CABINET LOUVERS TO WALL
 ASEGURE UNA VENTILACION ADECUADA MANTENIENDO UN ESPACIO E 6" (152mm) (MIN.) DE HOLOGURA ENTRE LA REJILLA DE VENTILACION DEL MUEBLE Y LA PARED
 ASSUREZ-VOUS UNE BONNE VENTILATION EN GARDANT 6" (152mm) (MIN.) ENTRE LES EVENTS DE L'ENCEINTE ET LE MUR

F = POWER CORD 1-1/2 FEET (457mm) LONG
 CORDON D'ALIMENTATION 1-1/2' (457mm)

G = THIS BOLT HOLE MUST BE USED FOR FASTENING UNIT TO WALL
 ESTE AGUJERO DE TUERCA DEBERA SER USADO PARA ASEJAR LA UNIDAD A LA PARED.
 ON DOIT UTILISER CE TROU DE BOLON POUR INSTALLER L'APPAREIL AU MUR.

H = ORIFICE HEIGHT 1-1/4" (32mm) ABOVE RIM
 ALTURA DEL ORIFICIO 1-1/4" (32mm) ADESSUS DU REBORD

LEGEND/LEYENDA/LÉGENDE

A = RECOMMENDED WATER SUPPLY LOCATION 3/8 O.D. UNPLATED COPPER TUBE CONNECT STUB 1-1/2 IN. (38mm) OUT FROM WALL SHUT OFF BY OTHERS
 SE RECOMIENDA UBICAR EL TUBO CORTO DE CONEXIONAL TUBO DE COBRE SIN CHAPAR DE 3/8" DE DIAM. EXT. A 1-1/2" (38mm) FUERA DE LA LLAVE DE PASO EN LA PARED COLOCADA POR TERCEROS.
 EMPACEMENT RECOMMANDE D'ALIMENTATION EN EAU PAR TUBE EN CUIVRE NON PLAQUE DE 3/8 PO. (9,5 mm) D.E. CONNECTANT UNE TUYAUTERIE DE 1-1/2 PO. (38mm) DEPUIS LE ROBINET D'ARRÊT FOURNI PAR D'AUTRES.

B = RECOMMENDED LOCATION FOR WASTE OUTLET 1-1/4" O.D. DRAIN
 UBICACION RECOMENDADA PARA EL DRENAJE DE SALIDA DE AGUA DE 1-1/4" DE DIAMETRO.
 EMPLACEMENT RECOMMANDE POUR LE DRAIN DE D.E. 1-1/4" DE SORTIE D'EAU.

C = 1-1/4 TRAP NOT FURNISHED**
 PURGADOR DE 1-1/4 NO PROPORCIONADO**

D = ELECTRICAL OUTLET LOCATION
 UBICACION DE LA TOMA DE ELECTRICIDAD
 EMPLACEMENT DE LA PRISE DE COURANT

SENSOR RANGE ADJUSTMENT: The electronic sensor used in this cooler is factory pre-set for a "visual" range of 36 inches (914 mm). If actual range varies greatly from this or a different setting is desired, follow the range adjustment procedure below:

- A. Remove front panel of cooler.
- B. Using a small tip screwdriver, rotate range adjustment screw clockwise to increase range and counterclockwise to decrease range (See Fig. 3).

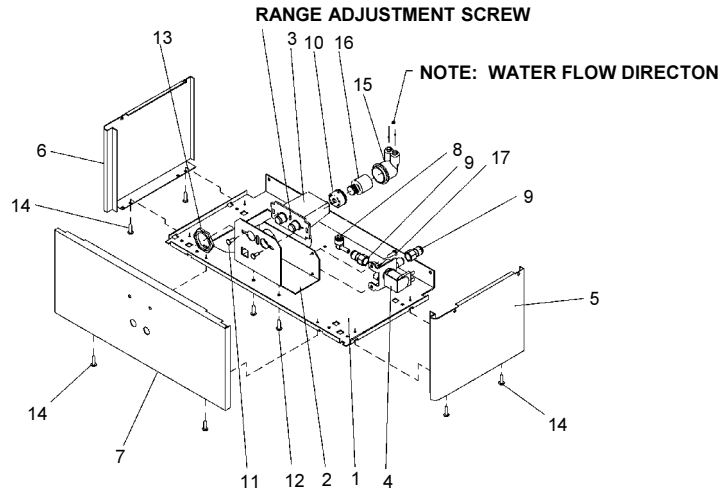
CAUTION: Complete range of sensor (24-28 inches/610-711mm) is only one turn of the adjusting screw.

- C. Replace front panel.

SENSOR CONTROL: If sensor fails to operate valve mechanism or operates erratically, check the following.

- A. Ensure there are no obstructions within a 40 inch (1016mm) radius in front of cooler.
- B. Check wire connections at the solenoid valve and sensor. **CAUTION:** Make sure unit is unplugged before checking any wiring.
- C. Ensure proper operation of solenoid valve. If there is an audible clicking sound yet no water flows, look for an obstruction in the valve itself or elsewhere in the water supply line.

FIG. 3



HANGER BRACKETS & TRAP INSTALLATION

- 1) Remove hanger brackets fastened to back of cooler by removing one (1) screw.
 - 2) Mount the hanger brackets and trap as shown in Figure 2.
- NOTE:** Hanger Brackets MUST be supported securely. Add fixture support carrier if wall will not provide adequate support.

IMPORTANT:

- Anchor hanger securely to wall using all six (6) 1/4 in. dia. mounting holes.
- 3) Install straight valve for 3/8" O.D. unplated copper tube.

INSTALLATION OF COOLER

- 4) Hang the cooler on the hanger brackets. Be certain the hanger brackets are engaged properly in the slots on the cooler back as shown in Figure 2.
- 5) Loosen the two (2) screws holding the lower front panel at the bottom of cooler base. Remove the front panel and set aside.
- 6) Connect water inlet line--See Note 4 of General Instructions.
- 7) Remove the slip nut and gasket from the trap and install them on the cooler waste line making sure that the end of the waste line fits into the trap. Assemble the slip nut and gasket to the trap and tighten securely.

START UP

Also See General Instructions

- 8) Stream height is factory set at 35 PSI. If supply pressure varies greatly from this, adjust screw, accessible by removing front panel (Item 7, Fig. 3). CW adjustment will raise stream and CCW adjustment will lower stream. For best adjustment, stream should hit basin approximately 6-1/2" (165mm) from bubbler.
- 9) Replace the front panel and secure by retightening two (2) screws.

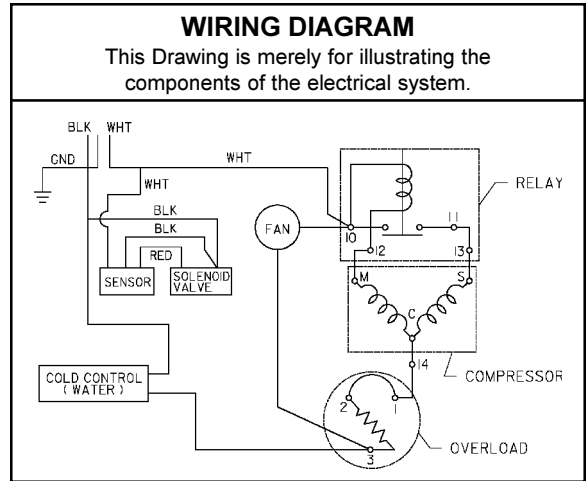
| ITEM NO. | PART NO. | DESCRIPTION |
|----------|-----------------|-------------------------------|
| 1 | 26588C | Panel-Bottom Dispenser |
| 2 | 26866C | Bracket-Valve Mounting |
| 3 | 31516C | Sensor-Clear (115V) |
| | 35783C | Sensor-Clear (230V) |
| 4 | 31272C | Solenoid Valve (115V) |
| | 35784C | Solenoid Valve (230V) |
| 5 | See Color Table | Panel-Right Side |
| 6 | See Color Table | Panel-Left Side |
| 7 | See Color Table | Panel-Front |
| 8 | 70817C | Elbow 1/4 Stem x 1/4 O.D. |
| 9 | 75507C | Fitting 1/4 NPTF x 1/4 O.D. |
| 10 | 56082C | Nut-Regulator |
| 11 | 70644C | Screw-#6-32 x 1/2" Lg. PHMS |
| 12 | 75497C | Screw-#10 x 1/2" Lg. PHSM |
| 13 | 40045C | Hex Nut |
| 14 | 70864C | Screw-#8 x 5/8" Lg. Torx/Slot |
| 15 | 50986C | Holder-Regulator |
| 16 | 61314C | Regulator |
| 17 | 70002C | Screw-#10 x 1/2" Lg. HHSM |

COLOR TABLE

| PANEL COLOR | Item No. 5 Part No. | Item No. 6 Part No. | Item No. 7 Part No. |
|---------------|---------------------|---------------------|---------------------|
| Gray Beige | 26635C | 26605C | 26731C |
| Almond | 26636C | 26606C | 26732C |
| Stainless Stl | 26637C | 26607C | 26733C |
| Sandalwood | 26638C | 26608C | 26734C |
| Granite | 26641C | 26611C | 26737C |
| Light Gray | 26642C | 26612C | 26738C |

PARTS LIST 220V

| ITEM NO. | PART NO. | DESCRIPTION |
|----------|-----------------|------------------------------|
| 18 | 27097C | Frame - Back/Bottom |
| 19 | See Color Table | Wrapper |
| 20 | 35987C | Power Cord |
| 21 | 27095C | Fan Bracket |
| 22 | 30699C | Fan Blade |
| 23 | 70018C | Hex Nut - Fan Blade |
| 24 | 31430C | Fan Motor 115V |
| 25 | 70009C | Screw - Fan Motor |
| 26 | 50186C | Shroud - Fan |
| 27 | 70241C | Clip (Front and Rear Panels) |
| 28 | 56073C | Bubbler Assembly |
| 29 | 40322C | Orifice Assembly |
| 30 | 55997C | Pedestal |
| 31 | 56011C | Housing Assembly |
| 32 | 75580C | Locknut |
| 33 | 62152C | Condenser |
| 34 | 66202C | Drier |
| 35 | 50144C | Grommet - Compressor Mtg. |
| 36 | 70184C | Hair Pin - Cotter |
| 37 | 70150C | Washer |
| 38* | 36085C | Compressor Serv. Pak EM65 |
| 39 | 36195C | Overload |
| 40 | 35768C | Cover - Relay |
| 41 | 36050C | Relay |
| 42 | 66552C | Heat Exchanger |
| 43 | 40572C | Tailpipe |
| 44 | 40575C | Strainer Assy |
| 45 | 50074C | Gasket - Tailpipe |
| 46 | 21222C | Basin |
| 47 | 70208C | Screw - Basin Mtg. |
| 48 | 31513C | Cold Control |
| 49 | 66505C | Evaporator Assy |
| 50 | 55996C | Strainer |
| 51 | 27093C | Angle - Bracket Corner |
| 52 | 27094C | Bracket - Front Support |
| 53 | 27096C | Bracket - Basin Mtg. |
| 54 | 56092C | Poly Tubing (Cut To Length) |
| - | 35826C | Power - Inlet |
| - | 194243901550 | Cover - Electric Shield |



***INCLUDES RELAY & OVERLOAD. IF UNDER WARRANTY, REPLACE WITH SAME COMPRESSOR USED IN ORIGINAL ASSEMBLY.**

NOTE: All correspondence pertaining to any of the above water coolers or orders for repair parts MUST include Model No. and Serial No. of cooler, name and part number of replacement part.

| COLOR TABLE | |
|-----------------|----------------------|
| PANEL COLOR | Item No. 55 Part No. |
| Gray Beige | 22706C |
| Almond | 22707C |
| Stainless Steel | 22708C |
| Sandalwood | 22709C |
| Granite | 22711C |
| Light Gray | 22712C |

