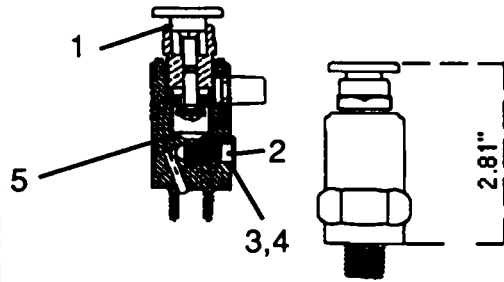


GLASS FILLERS

Models 2408, 8560 and 8561

GLASS FILLER 2408 PARTS LIST

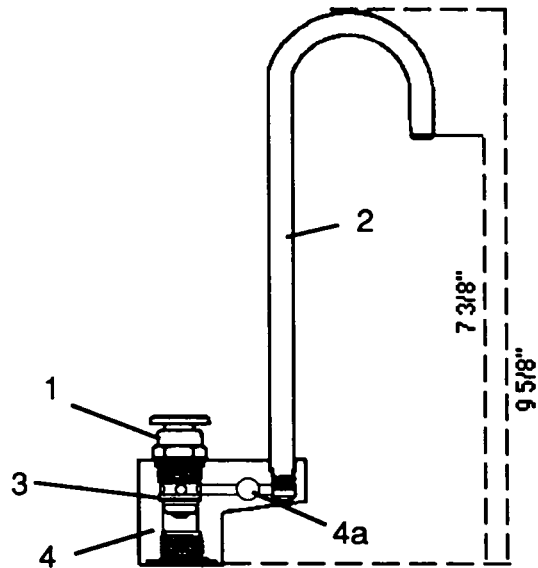
REF NO	PART NUMBER	DESCRIPTION
1	60-08140-51-640	Push Button Assembly*
2	11-02238-08-820	Regulating Screw
3	41-02239-08-640	Packing Gland
4	10-26722-40-560	Packing O Ring (2 each)
5	10-02337-40-560	Hard Rubber Gasket



GLASS FILLER 2408

GLASS FILLER 8560 PARTS LIST

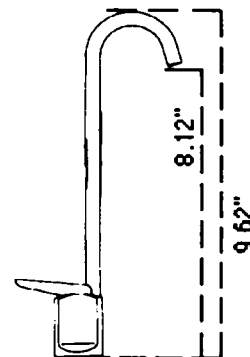
REF NO	PART NUMBER	DESCRIPTION
1	60-08140-51-640	Push Button Assembly*
2	16-08482-08-640	Gooseneck
3	10-02337-40-560	Hard Rubber Gasket
4	61-09853-51-640	Glass Filler Body
4a	41-08485-08-640	Stem Regulator (included in item 4)



GLASS FILLER 8560

GLASS FILLER 8561 PARTS LIST

REF NO	PART NUMBER	DESCRIPTION
NO PARTS AVAILABLE		



GLASS FILLER 8561

* Look for detailed schematic of this part in Detailed Parts Section

To order parts, contact your nearest Halsey Taylor wholesaler or representative.

Continued product improvement makes specifications subject to change without notice.

Halsey Taylor.

P.O. BOX 9001
OAKBROOK, ILLINOIS 60521