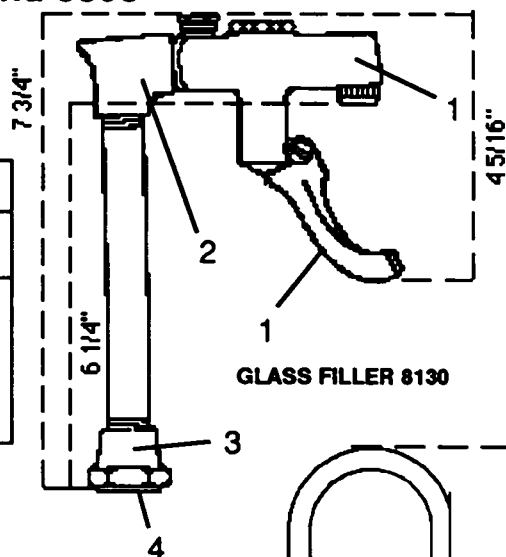


GLASS FILLERS

Models 8130, 8480 and 3063

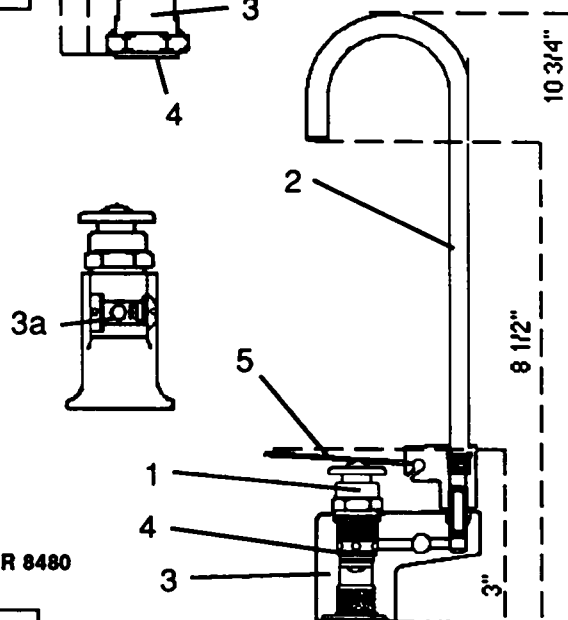
GLASS FILLER 8130 PARTS LIST

REF NO	PART NUMBER	DESCRIPTION
1	16-08077-51-640	Push Back Glass Filler
1a	10-09795-31-570	Lever Arm (included in item 1)
2	41-03181-08-640	Elbow
3	16-06310-08-640	Adapter
4	10-03227-40-560	Gasket



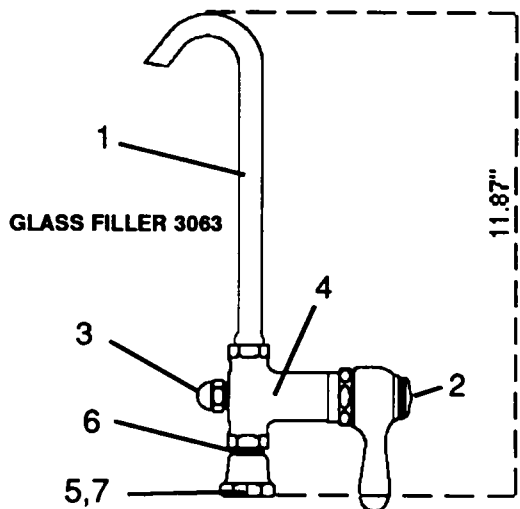
GLASS FILLER 8480 PARTS LIST

REF NO	PART NUMBER	DESCRIPTION
1	60-08646-51-640	Push Button Assembly
2	16-08482-08-640	Gooseneck
3	61-09853-51-640	Glass Filler Body
3a	41-08485-08-640	Stem Regulator (included in item 3)
4	10-02337-40-560	Hard Rubber Gasket
5	10-08484-42-830	Pushdown Plate



GLASS FILLER 3063 PARTS LIST

REF NO	PART NUMBER	DESCRIPTION
1	16-03310-08-640	Gooseneck
2	60-01166-51-640	Lever Handle Stem Assembly*
2a	60-08250-51-550	Stem Repair Kit (for item 2)*
3	11-02240-08-640	Regulating Screw
4	60-09412-51-640	Valve Body
4a	10-26722-40-560	Packing O Ring (included in 4)
4b	11-02238-08-820	Regulating Screw (included in 4)
4c	16-02239-08-550	Gland Packing (included in 4)
5	16-06310-08-640	Adapter
6	16-00129-08-640	Nipple
7	10-03227-40-560	Gasket



* Look for detailed schematic of this part in Detailed Parts Section

To order parts, contact your nearest Halsey Taylor wholesaler or representative.

Continued product improvement makes specifications subject to change without notice.

Halsey Taylor.

P.O. BOX 9001
OAKBROOK, ILLINOIS 60521