

Halsey Taylor Owners Manual

Glass Filler Plumbing Kit Part No. 73-26857-51-550

For Use On Halsey Taylor RWM Cooler Models
With Copper Water Lines.

Section A: RWM8A-2 (8 Gal.)

Section B: RWM13A-2 (13 Gal.)

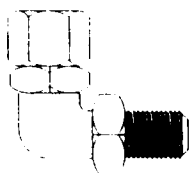
WARNING!

WARRANTY IS VOID IF:

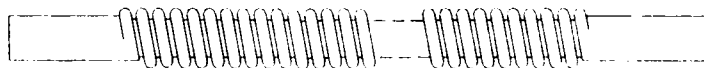
*This plumbing kit is not specified for use by Halsey Taylor for your particular model water cooler.

*Installation is not made in accordance with instructions enclosed.

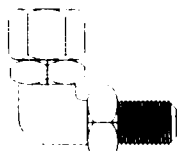
PARTS LIST



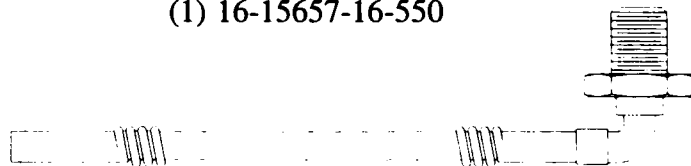
Elbow 3/8 OD X 3/8 NPT
(1) 70572C



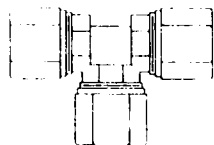
Glass Filler Service Line
(1) 16-15657-16-550



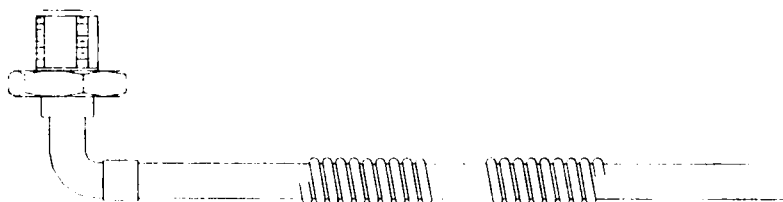
Elbow-5/16OD X3/8NPT
(1) 70568C



Flex Tube Assembly
(1) 60-26858-51-550



Compression Tee
(1) 70632C



Proj Serv Line
(1) 60-26649-51-550



Gasket
(1) 10-08540-40-740



Gasket-Black
(4) 10-03227-40-560

Section A: Installation Instructions For 8 Gal. Model

NOTE: All service to be performed by an authorized service person.

1. Remove wrap around panel by removing two bolts, one on each side, from the bottom of the unit and carefully pulling the panel off.
2. Disconnect power cord from the wall box.
3. Shut off water inlet supply. Depress push button to relieve any residual water pressure.
4. Remove the strainer plate, drain plug, and bubbler.
5. Remove the nuts holding the receptor on, 2 each side, and remove the receptor from the unit.
6. Remove tank drain plug and drain water out of tank. Then replace drain plug using teflon thread tape.
7. Disconnect the water inlet from the regulator/valve assembly (item 1, figure 1).
8. Disconnect the line from the regulator/valve outlet to the chiller inlet and discard (item 2, figure 1).
9. Turn elbow (item 1, figure 2) on chiller inlet so it is facing down. Connect water inlet line disconnected in step 6 to the elbow (item 2, figure 2).

NOTE: Item 2 - Figure 2 may need to be cut back shorter to fit new inlet. Use new elbow if required.

10. Cut chiller outlet line approx. 1" before the braze joint, (see figure 3). There must be enough straight tube on the chiller outlet to attach a tee (approx 3/4").

NOTE: Use IMP or equivalent tube cutter. **DO NOT use hacksaw!**

11. Install tee (item 1, figure 4, P/N 70632C) to chiller outlet line with side connection facing the back, left corner of the cooler.

NOTE: The tubing supplied is a copper "flex" tubing and is made for easy bending. However, bending the tube too tightly can kink it and excessive bending could make it brittle. Try and make the routing complete with as few bends as possible.

12. Connect the glass filler service line to the side connection of the tee (item 2, figure 4, P/N 60-26858-51-550).
 13. Connect the flex tube assembly to the remaining connection of the tee. (item 3, figure 4)
 14. Bend the flex tube assembly to connect to the regulator/valve inlet (item 3, figure 4). Care should be taken not to kink the tubing. Bend should be approx as shown (item 4, figure 2). Make sure the tubing does not interfere with the operation of the regulator/valve lever and is away from the tank drain.
 15. Connect the bubbler service line to the regulator/valve outlet (item 5, figures 2 & 4). Use new line if required.
 16. Install gaskets provided with kit to glass filler nipple, (1 gasket P/N 10-08540-40-740) and bubbler nipple (2 black gaskets P/N 10-03227-40-560) item 6, figure 4.
 17. Find the plug button located at back of receptor and remove it.
 18. Install the receptor, aligning glass filler and projector nipples with the holes in receptor. If additional bending is required, care should be taken not to "kink" the tubing.
 19. Install the bubbler. Install glass filler using gasket provided. Install the drain plug and strainer plate.
- CAUTION:** DO NOT reuse old gaskets! Use only those provided with this or other Halsey Taylor kits.
20. Verify that all connections and water flow routes are as

shown in figures 2 and 4.

21. Turn on water and check all connections for leaks. Repair leaks if necessary.
22. Re-connect power cord.
23. Install wrap around panel

Section B: Installation Instructions For 13 Gallon Model.

NOTE: All service to be performed by an authorized service person.

1. Remove wrap around panel by removing two bolts, one on each side, from the bottom of the unit and carefully pulling the panel off.
2. Disconnect power cord from the wall box.
3. Shut off water inlet supply. Depress push button to relieve any residual water pressure.
4. Remove the strainer plate, drain plug, and bubbler.
5. Remove the nuts holding the receptor on, 2 each side, and remove the receptor from the unit.
6. Remove tank drain plug and drain water out of tank then replace drain plug using Teflon thread tape.
7. Disconnect precooler from regulator/valve inlet (item 1, figure 5).

8. Remove 1/4 x 5/16 elbow from regulator/valve inlet and replace it with the 1/4 x 3/8 elbow (item 2, figure 5).

NOTE: Elbow should be at a slight angle or pointed straight down (item 1, figure 6).

9. Disconnect the line from the regulator/valve outlet to the chiller inlet and discard (item 2, figure 1).

10. Remove the elbow from the chiller inlet and replace it with the 3/8 x 5/16 elbow (item 2, figure 6). Elbow should be facing the back of the unit and slightly down.

11. Carefully bend the precooler outlet line to connect with the elbow in the chiller inlet. Care should be taken not to "kink" the tubing, or put excess stress on the plastic elbow

NOTE: It may be necessary to cut back precooler outlet line to avoid kink and give better fit (item 1, figure 5).

12. Cut chiller outlet line approx. 1" from braze joint (see figure 3). There must be enough straight tubing on the chiller outlet to attach a tee fitting (approx 3/4").

NOTE: Use IMP or equivalent tube cutter. **DO NOT use hacksaw!**

13. Install tee (item 1, figure 4, P/N 70632C) to chiller outlet line with side connection facing the back, left corner of the cooler.

NOTE: The tubing supplied is a copper "flex" tubing and is made for easy bending. However, bending the tube too tightly can kink it and excessive bending could make it brittle. Try and make the routing complete with as few bends as possible.

14. Connect the glass filler service line to the side connection of the tee (item 2, figure 4, P/N 60-26858-51-550).
15. Connect the flex tube assembly to the remaining connection of the tee (item 3, figure 4).
16. Bend the flex tube assembly to connect to the regulator/valve (item 3, figure 4). Care should be taken not to kink the tubing. Bend should be approx as shown (item 4, figure 2). Make sure the tubing does not interfere with the operation of the regulator/valve lever and is away from the tank drain.

17. Connect the bubbler service line to the regulator/valve outlet (item 5, figures 2 & 4). Carefully bend to the approx. location of the projector hole in the receptor. Use new line if required.

18. Install gaskets provided with kit to glass filler nipple, (1 gasket P/N 10-08540-40-740) and projector nipple (2 black gaskets P/N 10-03227-40-560) item 6, figure 4.

19. Find the plug button located at back of receptor and remove it.

20. Install the receptor, aligning glass filler and projector nipples with the holes in receptor. If additional bending is required, care should be taken not to "kink" the tubing.

21. Install the bubbler. Install glass filler using gasket provided. Install the drain plug and strainer plate.

CAUTION: DO NOT reuse old gaskets! Use only those provided with this or other Halsey Taylor kits.

22. Verify that all connections and water flow routes are as shown in figures 6 and 7

23. Turn on water and check all connections for leaks. Repair leaks if necessary.

24. Re-connect power cord.

25. Install wrap around panel.

FIGURE 1

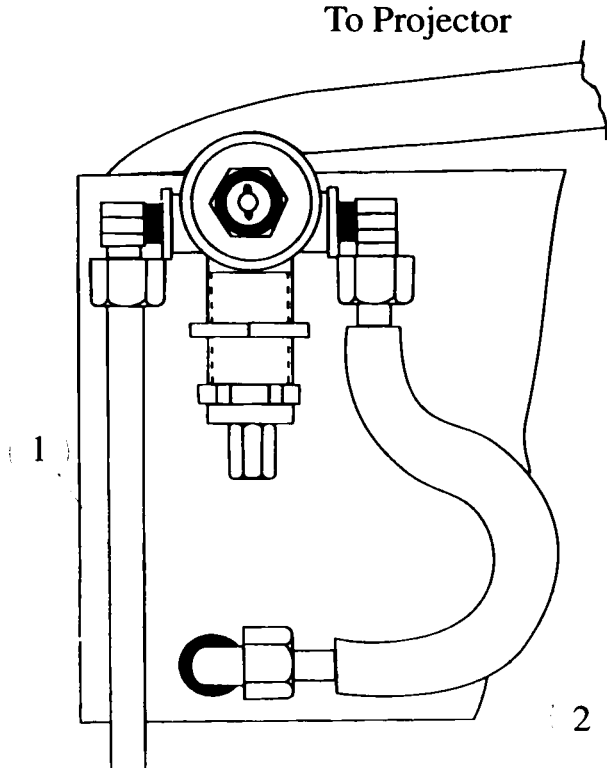


FIGURE 2

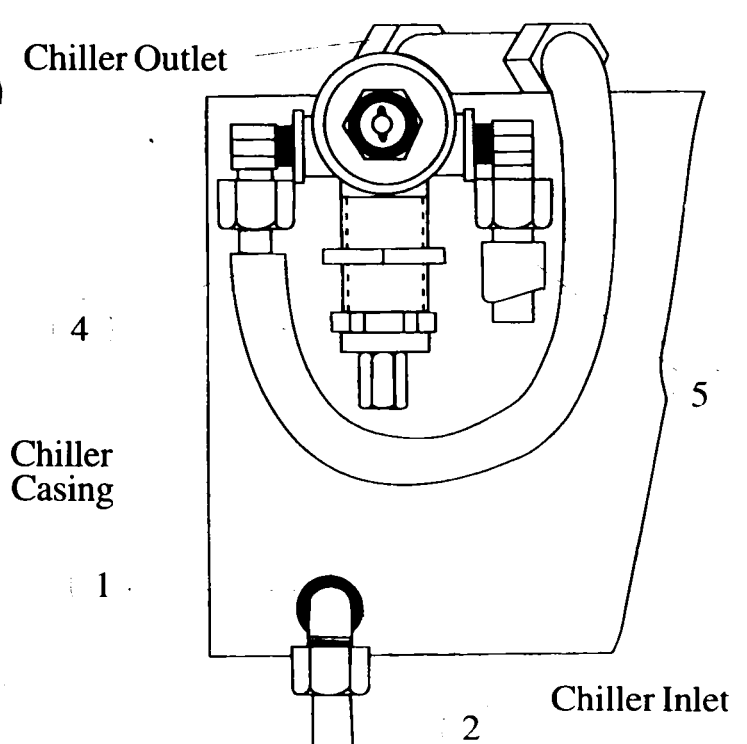


FIGURE 3

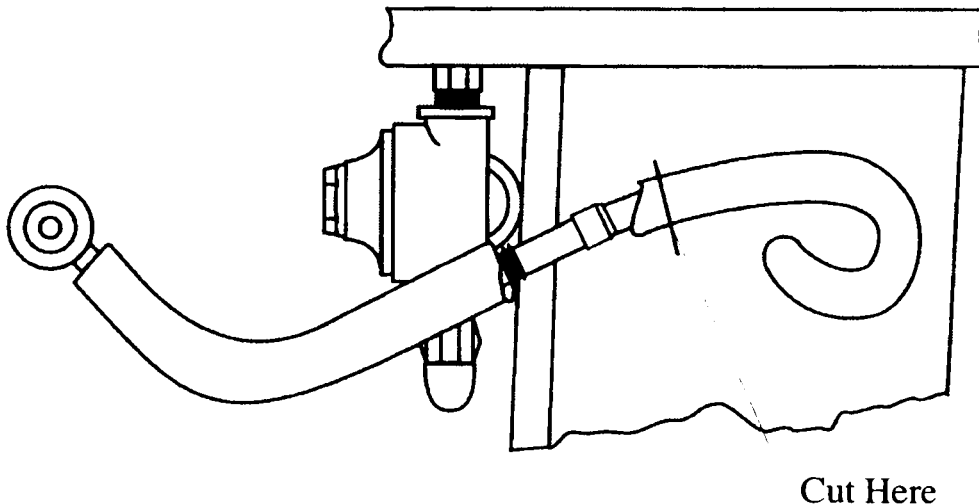


FIGURE 4

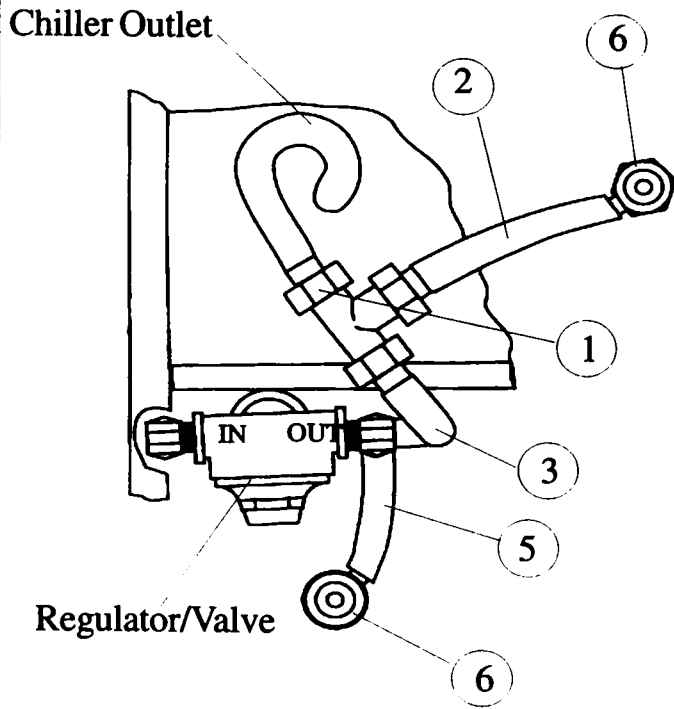


FIGURE 5

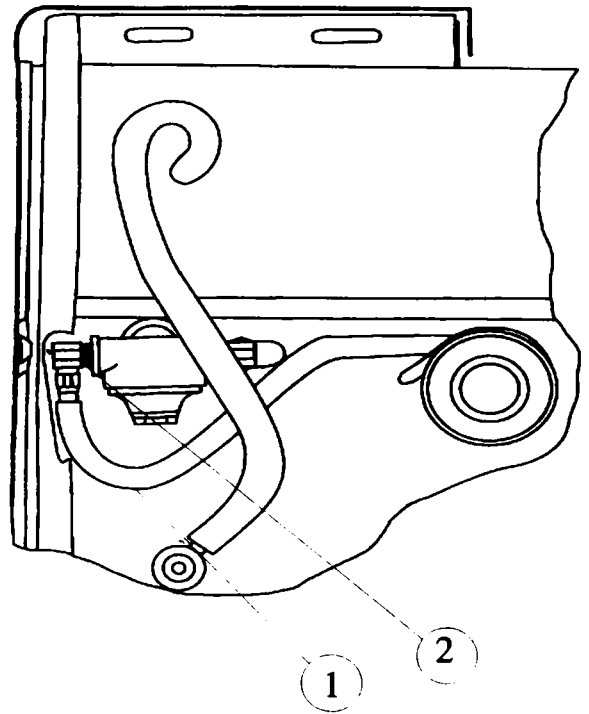


FIGURE 6

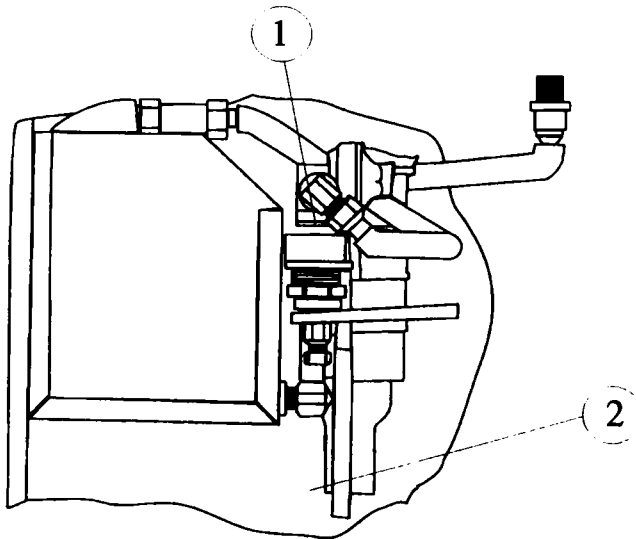
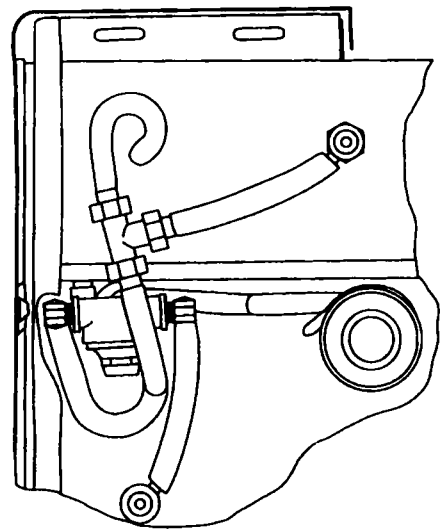


FIGURE 7



Halsey Taylor ®

P.O. BOX 9001
OAK BROOK, IL 60521
(708) 574-3500

PRINTED IN U.S.A.