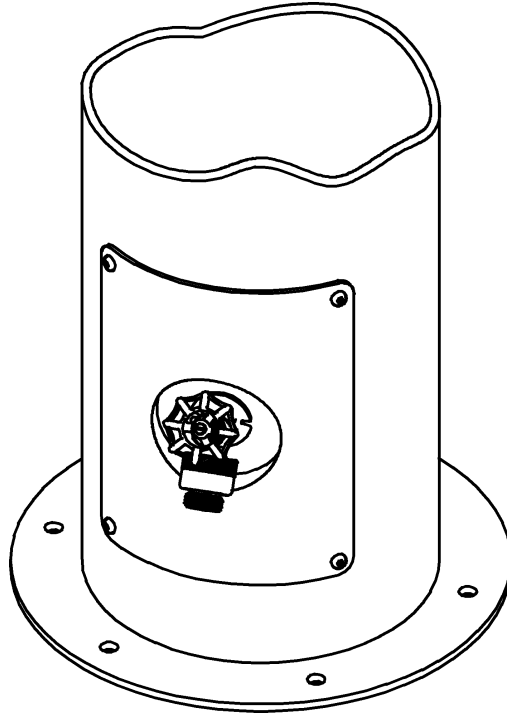


Halsey Taylor Installation Sheet

HOSE BIB FOUNTAIN ACCESSORY

For Use On 4400 Series Fountains W/Floor Mount Base



Installer

To assure you install this accessory easily and correctly, PLEASE READ THESE SIMPLE INSTRUCTIONS BEFORE STARTING THE INSTALLATION. CHECK YOUR INSTALLATION FOR COMPLIANCE WITH PLUMBING, ELECTRICAL AND OTHER APPLICABLE CODES.

IMPORTANT

ALL SERVICE TO BE PERFORMED BY AN AUTHORIZED SERVICE PERSON

IMPORTANT! INSTALLER PLEASE NOTE.

THE GROUNDING OF ELECTRICAL EQUIPMENT SUCH AS TELEPHONE, COMPUTERS, ETC. TO WATER LINES IS A COMMON PROCEDURE. THIS GROUNDING MAY BE IN THE BUILDING OR MAY OCCUR AWAY FROM THE BUILDING. THIS GROUNDING CAN CAUSE ELECTRICAL FEEDBACK INTO A FOUNTAIN, CREATING AN ELECTROLYSIS WHICH CAUSES A METALLIC TASTE OR AN INCREASE IN THE METAL CONTENT OF THE WATER. THIS CONDITION IS AVOIDABLE BY USING THE PROPER MATERIALS AS INDICATED. ANY DRAIN FITTINGS PROVIDED BY THE INSTALLER SHOULD BE MADE OF PLASTIC TO ELECTRICALLY ISOLATE THE FOUNTAIN FROM THE BUILDING PLUMBING SYSTEM.

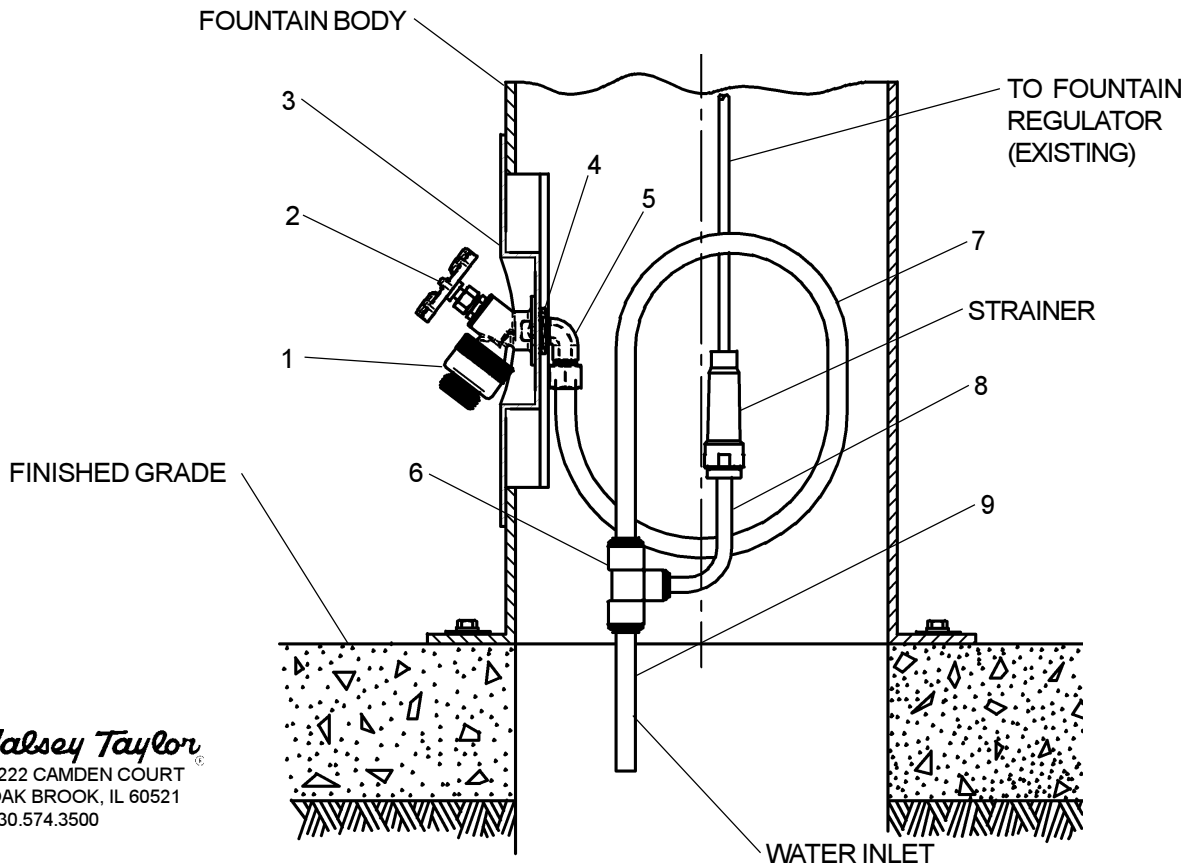
Hose Bib Fountain Accessory

PARTS LIST

INSTALLATION INSTRUCTIONS

ITEM NO.	PART NO.	DESCRIPTION
1	75624C	Fitting - Hose Vacuum Breaker
2	75619C	Faucet - 1/2" NPT
3	45753C	Panel - Access W/Bib Recess
4	70977C	Nut - Lock 1/2" Conduit
5	70972C	Elbow - 90° x 1/2" MPT
6	75623C	Fitting - Tee 1/2" X 1/2" X 3/8"
7	66555C	Tube - 1/2" O.D. X 36.00" Lg.
8	66475C	Tube - 3/8" O.D. Tee to Strainer
9	66641C	Tube - 1/2" O.D. X 4.38" Lg.
10	75521C	Bit - Pinned Torx T-27 (NS)
11	75535C	Screw - 1/4-20 X 3/4" Torx (NS)

1. Shut off water supply to fountain.
2. Determine location for installation of **Hose Bib Accessory**. Remove existing access cover plate, (This accessory is designed to replace the existing access cover).
3. Disconnect the **fountain water line** from the **main water supply**. Connect Tube (Item 8) to existing fountain strainer as shown below.
4. Connect Tee (Item 6) to Tube (Item 8). Connect main water supply to Tee using 1/2" Copper Tube (Item 9), **DO NOT TURN MAIN WATER SUPPLY ON AT THIS TIME !**
5. Connect Hose Bib Accessory water line to the Tee and to the Elbow (Item 5) on the Access Panel (Item 3) using 1/2" Copper Tube (Item 7) as shown below, maintain loop in coil to facilitate installation and removal of Access Panel.
6. Turn on main water supply. Check for leaks. If there are leaks, turn off main water supply and correct the water leaks as required. After insuring that all connections are leak free, leave main water supply on and replace any panels that may have been removed in the installation process.
7. Assemble Hose Bib Accessory to the main fountain body.



Halsey Taylor
 2222 CAMDEN COURT
 OAK BROOK, IL 60521
 630.574.3500

PRINTED IN U.S.A.

FOR PARTS, CONTACT YOUR LOCAL DISTRIBUTOR OR CALL 1.800.323.0620