

**INSTALLER NOTE:**  
 Supply line must slope.  
 Supply water must drain to prevent line freeze up.

**FIG. 2**

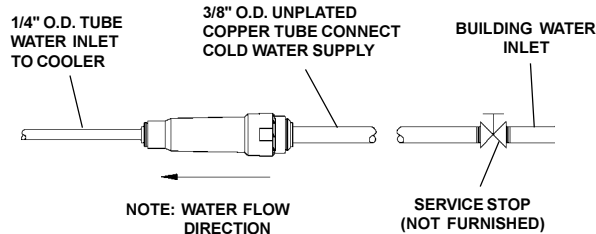
**INSTALLATION**

The frost resistant package may be surface mounted or recessed on an interior wall in a heated area. If recessed, the surface of the cover (Item 6) **MUST** be flush with the interior wall surface (not recessed). The box is furnished with screws for mounting the cover to the box. **DO NOT** fasten the top and bottom of the cover to the box if it is to be recessed in an interior wall. Use the holes on the front only in this application.

1. Assemble the push button to the fountain body - see fountain instructions.
2. Install the fountain body in accordance with the fountain installation instructions and connect waste tube.  
**NOTE:** Waste arm furnished. It will accommodate a wall thickness up to 12" (65mm).
3. Insulate the wall cavity between the freeze resistant box and the fountain. The push rod **MUST** be free to move.
4. Insert 1/4 inch tube and union into outlet of box.
5. Install washer (Item 7) and one (1) push button stop (Item 1) and one (1) set screw (Item 17) onto the push rod. Locate the box on the wall over the drain and push rod and attach to wall using screws (not provided).
6. With the rod in the full "off" position, tighten the stop against the activating lever by tightening set screw. Install the second stop and set screw on the opposite side of the activating lever and tighten.
7. Connect the water line to the fountain and ensure that push rod is free to move.

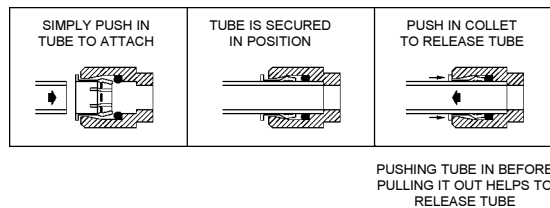
**START UP**

1. Turn on the building water supply and check all connections for leaks.
2. Stream height is factory set at 35 PSI. If supply pressure varies greatly from this, adjust screw on item 14. Clockwise adjustment will raise the stream and counter-clockwise adjustment will lower it. For best adjustment, stream height should be approximately 1-1/2" above the bubbler guard.
3. Recheck all water and drain connections with water flowing through system.
4. Put cover on box.



**FIG. 3**

**OPERATION OF QUICK CONNECT FITTINGS**



**FIG. 4**

| PARTS LIST |          |                          |
|------------|----------|--------------------------|
| ITEM NO.   | PART NO. | DESCRIPTION              |
| 1          | 10003C   | STOP-PUSH BUTTON         |
| 2          | 10031C   | NUT-RETAINING            |
| 3          | 27051C   | CHANNEL-PIVOT            |
| 4          | 27052C   | CHANNELASSY VALVE MTG    |
| 5          | 27310C   | BODY ASSY                |
| 6          | 27312C   | COVER-BODY               |
| 7          | 27313C   | WASHER-PUSH ROD          |
| 8          | 31525003 | O RING-.375X.239X.070    |
| 9          | 40045C   | NUT HEX-UNPLTD           |
| 10         | 40266C   | VALVE-CHECK              |
| 11         | 40267C   | INSERT-.25 DIA CU        |
| 12         | 50198C   | BUSHING-SNAP             |
| 13         | 50985C   | HOLDER-REGULATOR         |
| 14         | 61313C   | REGULATOR - W/RED SPRING |
| 15         | 62091C   | WATER OUTLET ASSY        |
| 16         | 66454C   | DRAIN TUBE ASSEMBLY      |
| 17         | 70021C   | SCREW-SET 8-32X.25       |
| 18         | 70284C   | BODY-CHECK VALVE         |
| 19         | 55996C   | STRAINER                 |
| 20         | 70793C   | ELBOW 1/4OD X 90         |
| 21         | 70817C   | ELBOW-1/4 STEM-1/4 TUBE  |
| 22         | 70831C   | ROD-SUPPORT              |
| 23         | 70841C   | UNION-BULKHEAD           |
| 24         | 50003C   | BUSHING-SNAP             |
| 25         | 72000835 | 1-1/4IN SINK TRAP        |
| 26         | 72001843 | SLIP ELL 22GA 1 1/4 X 7  |
| 27         | 75555C   | CLIP - 125 STUD LOCK     |
| 28         | 55000458 | PUSH BUTTON ASSY         |
| 29         | 70683C   | UNION-1/4                |
| 30         | 70054C   | NUT-SPEED                |
| NS         | A52157   | 5/64 ALLEN WRENCH        |

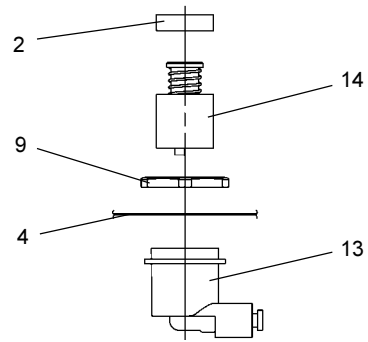


FIG. 5

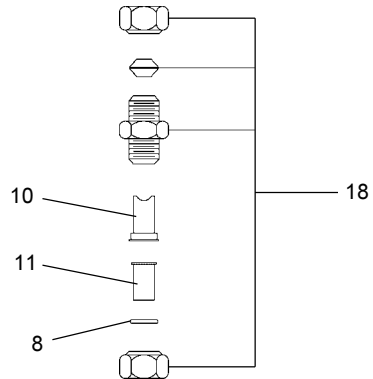
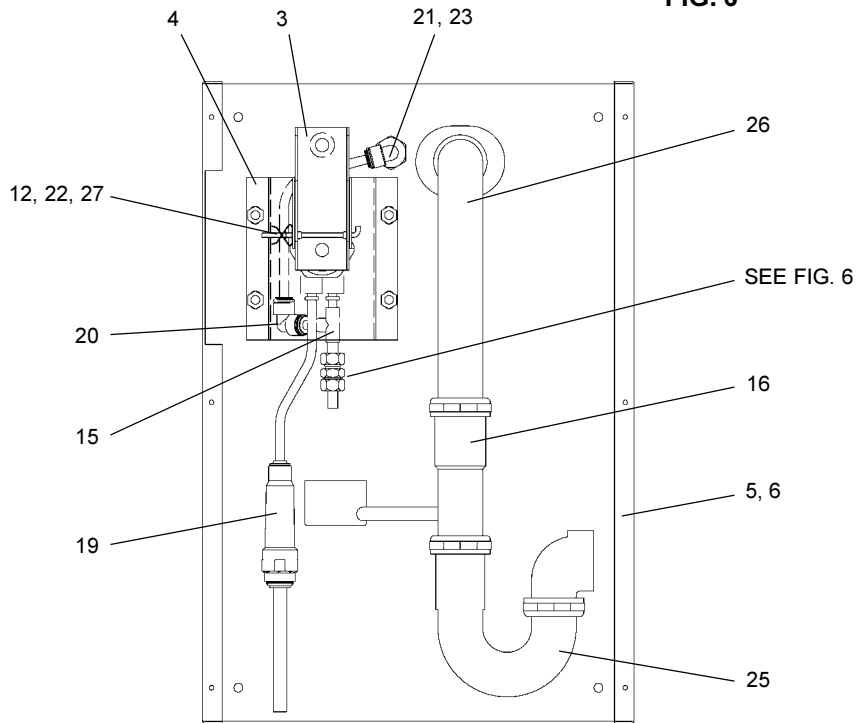


FIG. 6



## TROUBLE SHOOTING AND MAINTENANCE

**Actuation of Quick Connect Water Fittings:** Frost resistant box is provided with lead-free connectors which utilize an o-ring water seal. To remove tubing from the fittings, relieve water pressure, push in on gray collar while pulling on the tubing (See Fig. 4). To insert tubing, push tube straight into fitting until it reaches a positive stop, approximately 3/4".

*Halsey Taylor*®

2222 CAMDEN COURT  
OAK BROOK, IL 60523  
630.574.3500

PRINTED IN U.S.A.

FOR PARTS, CONTACT YOUR LOCAL DISTRIBUTOR OR CALL 1.800.323.0620