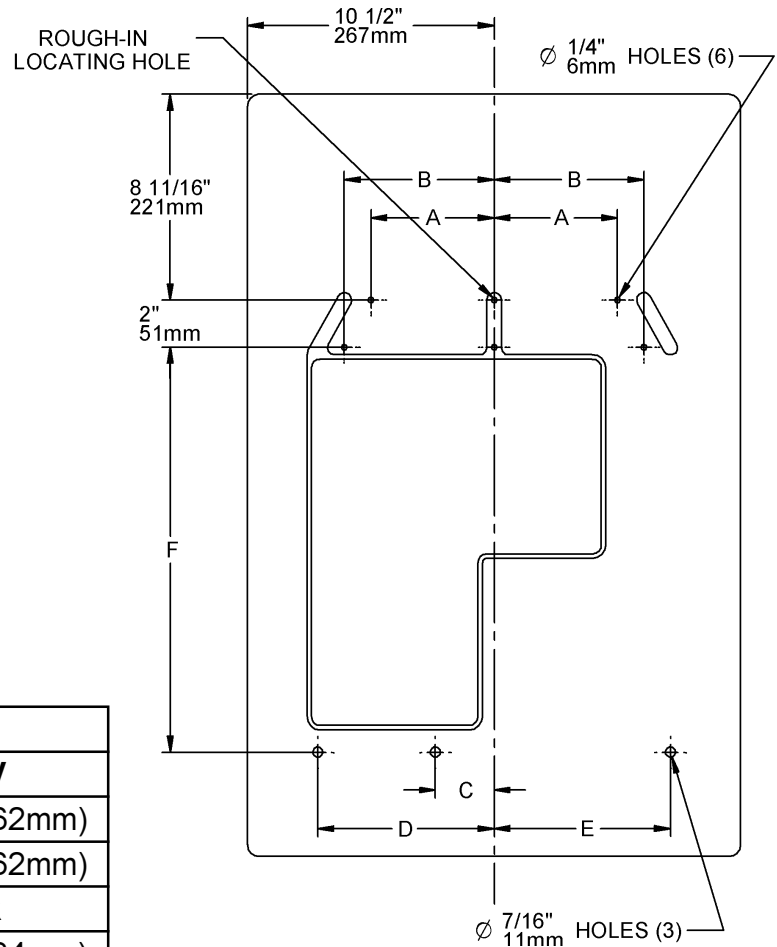
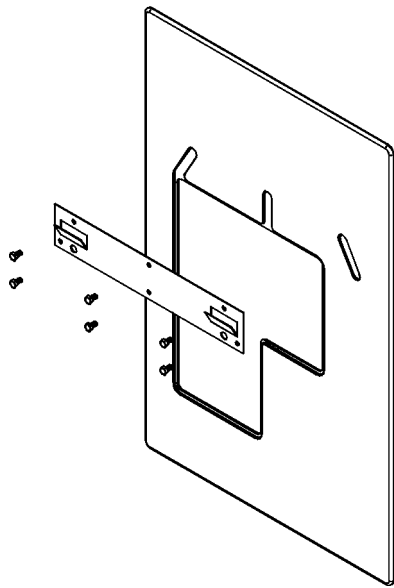


INSTALLATION WALL BEZEL MOUNTING



DIMENSION CHART		
DIM	HAC	HTV
A	6 3/8" (162mm)	6 3/8" (162mm)
B	7 1/2" (191mm)	6 3/8" (162mm)
C	2 1/2" (63mm)	N/R
D	7 1/2" (191mm)	7 1/4" (184mm)
E	7 1/2" (191mm)	7 1/4" (184mm)
F	17 1/8" (435mm)	16 3/4" (425mm)

MOUNTING INSTRUCTIONS

- 1) SELECT YOUR MODEL IN THE DIMENSION CHART.
- 2) LOCATE AND MARK HOLES USING ABOVE DIMENSIONS AND DRILL HOLES IN WALL BEZEL.
- 3) ROUGH-IN LOCATING HOLE NEEDS TO BE LOCATED USING TOP CENTER HOLE IN WALL BRACKET FROM YOUR MODEL ROUGH-IN SHEET.
- 4) FASTEN WALL BEZEL AND HANGER BRACKET TO WALL WITH THE HANGER BRACKET IN FRONT OF YOUR WALL BEZEL. IT IS RECOMMENDED TOP CORNERS OF WALL BEZEL BE GLUED TO THE WALL USING A PANEL ADHESIVE SUCH AS PL-200 OR LIQUID NAILS.

Halsey Taylor

2222 CAMDEN COURT
OAK BROOK, IL 60523
630.574.3500

PRINTED IN U.S.A.

FOR PARTS, CONTACT YOUR LOCAL DISTRIBUTOR OR CALL 1.800.323.0620

97927C Rev. A - 1/03