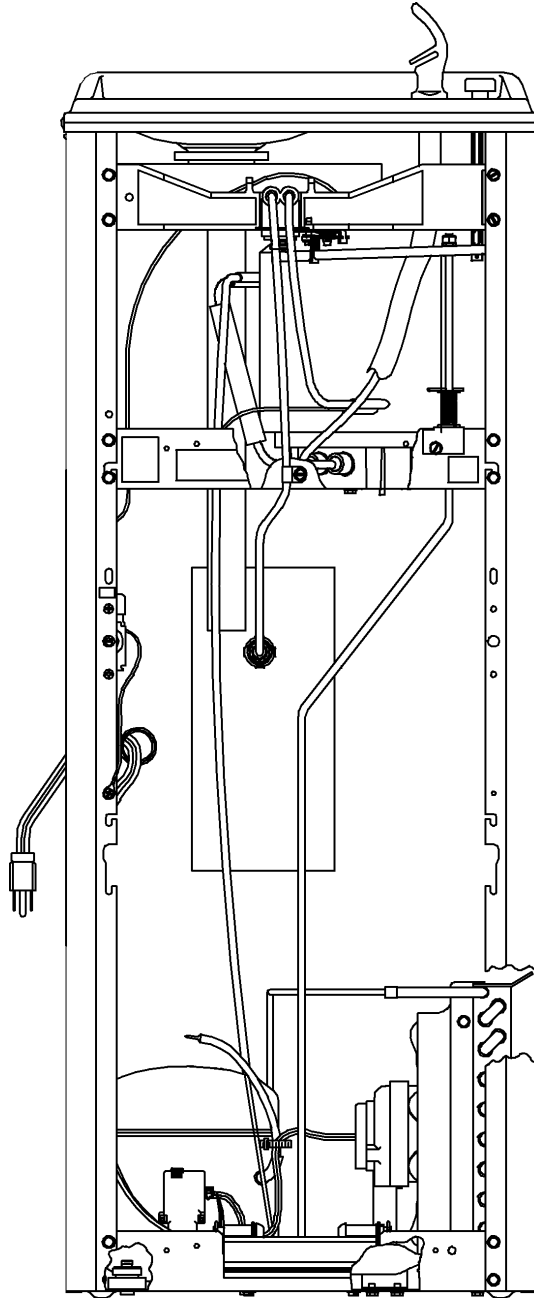


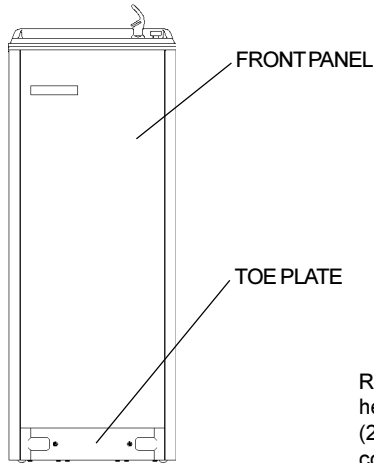
SCWT FOOT PEDAL KIT INSTALLATION INSTRUCTIONS



INSTALLER

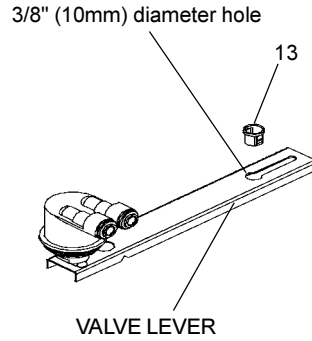
To assure that you install this kit easily and correctly, PLEASE READ THESE SIMPLE INSTRUCTIONS BEFORE STARTING THE INSTALLATION. After installation, leave these instructions with the Cooler for future reference.

STEP NO. 1



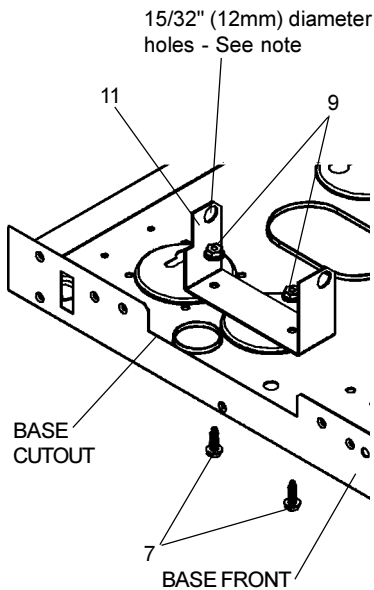
Remove toe plate (2, phillips head screws) and front panel (2, hex head screws) from cooler.

STEP NO. 4



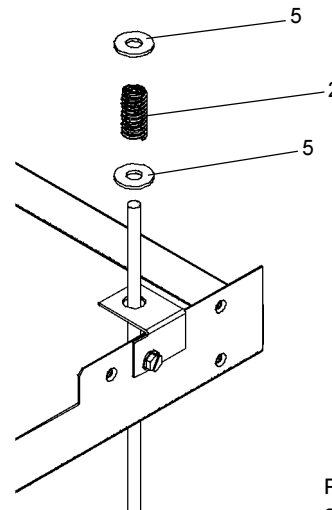
Insert the black snap bushing, (Item 13) into 3/8" (10mm) diam. hole of valve lever. Valve lever is attached to water regulator and push button located at top of cooler (not shown).

STEP NO. 2



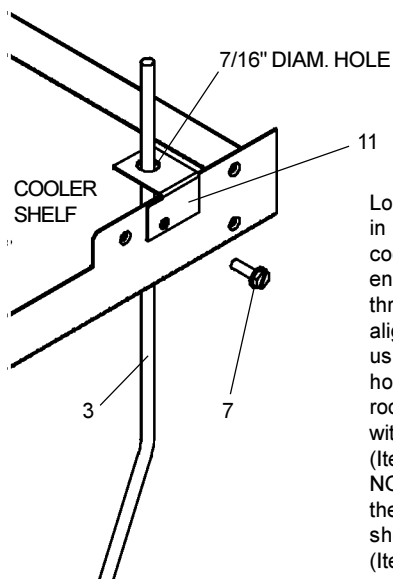
Note:
The 15/32" diam. holes in the two sides of the base mounting bracket are off center. When mounting the bracket, the holes must go towards the rear of the cooler. Position base mounting bracket, (Item 11) inside of the cooler base directly behind base cutout. Secure to base using (2) #10 x 5/8" long screws, (Item 7) and (2) #10-24 hex nuts, (Item 9). Assemble screws so nuts are inside the cooler. Tilt cooler slightly back to insert screws. **Note:** If left hand hole for base mounting bracket in baseplate is not present, mark its location by lining up the right hand hole and drilling the baseplate using a 7/32" drill bit.

STEP NO. 5



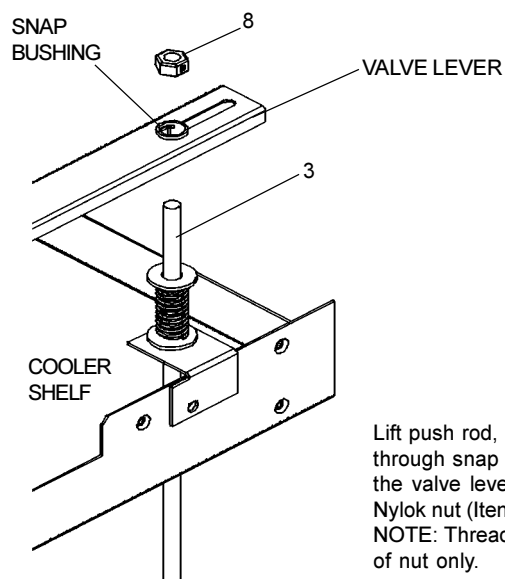
Place (2) flat washers, (Item 5) and compression spring, (Item 2) over end of push rod as shown.

STEP NO. 3



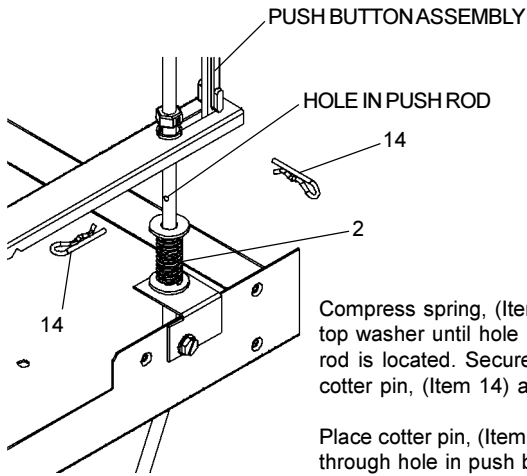
Locate the 1" (25mm) diam. hole in the right front corner of the cooler shelf. Insert the threaded end of the push rod, (Item 3) through this hole. Place the alignment bracket, (Item 11) using the 7/16" (17 mm) diam. hole over the end of the push rod and secure to cooler shelf with (1) #10 x 5/8" long screw (Item 7). **NOTE:** Use the extruded hole on the far right side of the cooler shelf when attaching screw (Item 7).

STEP NO. 6



Lift push rod, (Item 3) and insert through snap bushing hole on the valve lever and secure with Nylok nut (Item 8). **NOTE:** Thread nut on rod depth of nut only.

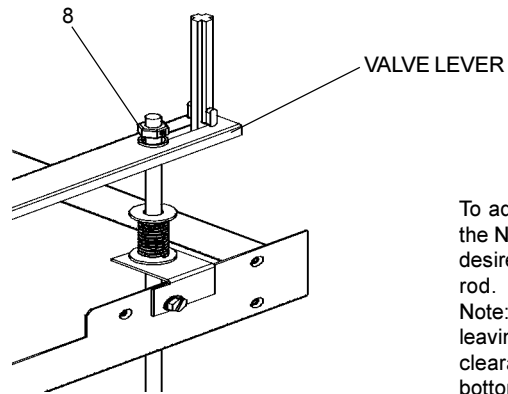
STEP NO. 7



Compress spring, (Item 2) with top washer until hole in push rod is located. Secure with cotter pin, (Item 14) as shown.

Place cotter pin, (Item 14) through hole in push button assembly.

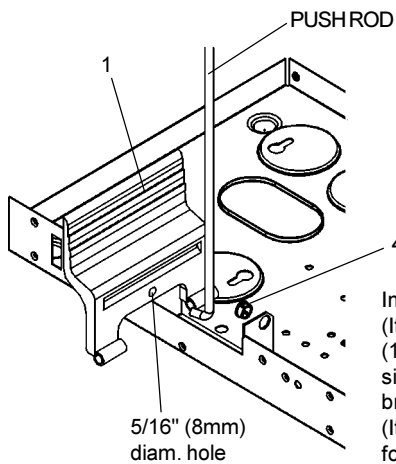
STEP NO. 10



To adjust foot pedal, thread the Nylok nut, (Item 8) to desired position on push rod.

Note: Thread nut on rod leaving approx. 1/8" (3 mm) clearance between the bottom of nut and valve lever.

STEP NO. 8



Insert (2) snap bushings, (Item 4) into the 15/32" (12mm) diam. hole on the sides of the base mounting bracket. Attach foot pedal, (Item 1) to push rod. Tip foot pedal sideways and insert 90° bend of push rod through 5/16" (8mm) diam. hole on the foot pedal.

STEP NO. 11

Connect cooler to drain system and building water supply per installation instructions. Follow start up procedure.

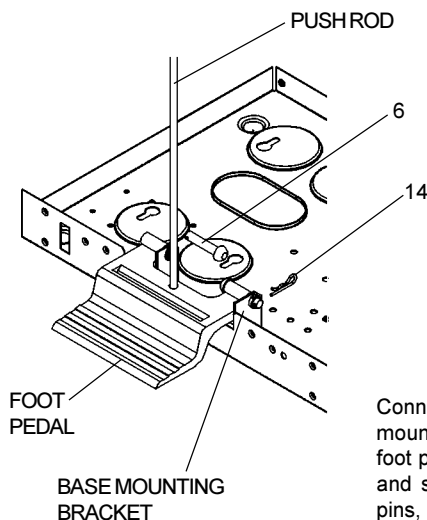
STEP NO. 12

Depress foot pedal and push button at the same time. If push button is not fully depressed, thread the Nylok nut, (Item 8) further on the push rod. Actuate foot pedal several times. If water does not shut off, allow more clearance between Nylok nut and valve lever. Refer to step no. 10.

STEP NO. 13

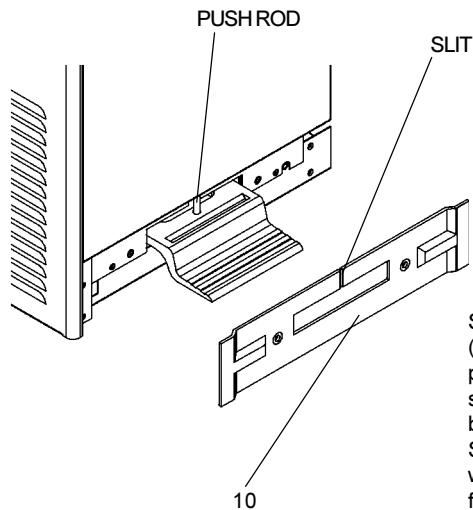
Attach front panel removed in step no. 1.

STEP NO. 9

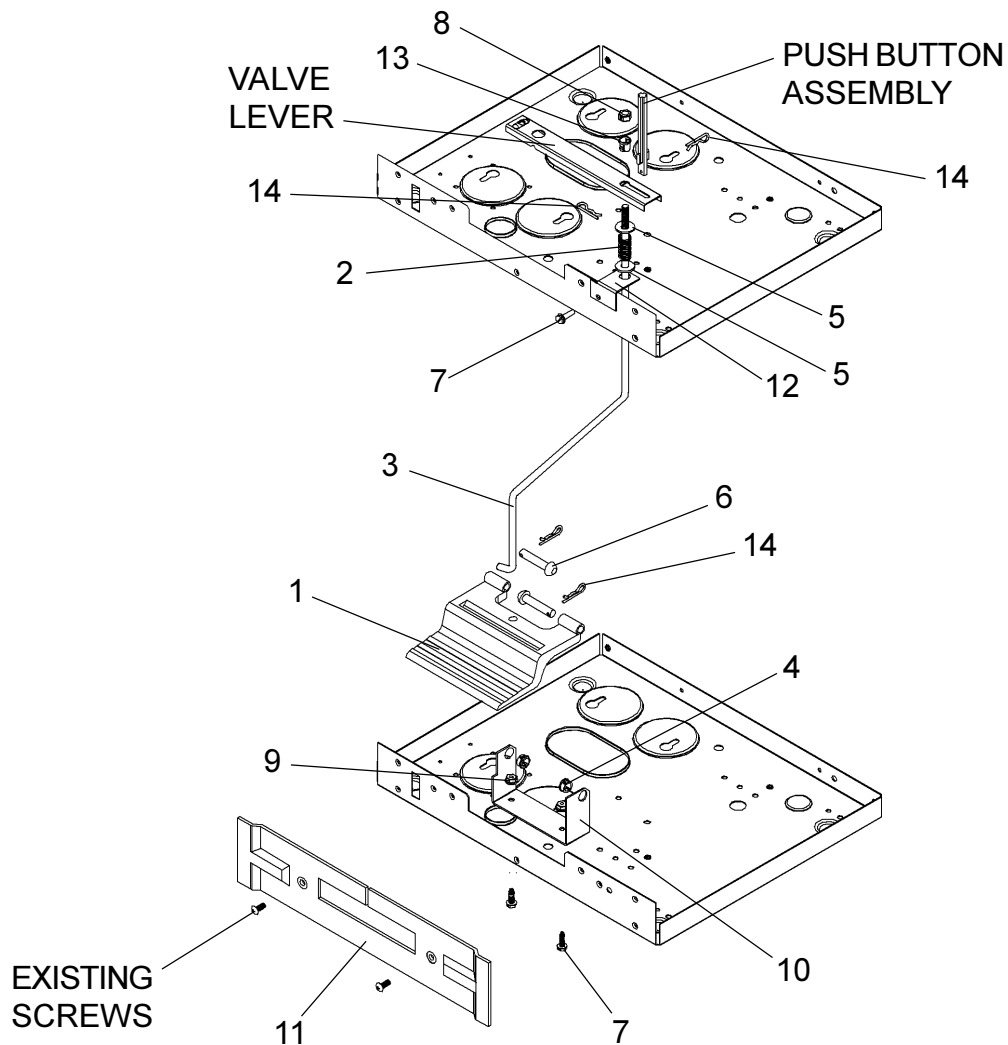


Connect foot pedal to base mounting bracket with (2) foot pedal pins, (Item 6) and secure with (2) cotter pins, (Item 14).

STEP NO. 14



Slide the new toe plate, (Item 10) over the foot pedal with slit up. Make sure the toe plate goes back of the push rod. Secure toe plate to base with (2) screws removed from old toe plate in step no. 1.



PARTS LIST

ITEM NO.	PARTNO.	DESCRIPTION
1	100631242700	Foot Pedal
2	101418251550	Compression Spring
3	101473543730	Foot Pedal Pull Rod
4	101482131870	Snap Bushing
5	110077043890	Washer
6	110208243890	Foot Lever Pin
7	111008343890	Screw #10-24 x 5/8" HHMS
8	111051043550	Nylok Nut 1/4-20
9	1110884	Hex Nut 10-24
10	28428C	Base Mounting Bracket
11	401506931560	Toe Plate
12	401507143730	Alignment Bracket
13	50770C	Snap Bushing
14	70184C	Cotter Pin

Halsey Taylor
 2222 CAMDEN COURT
 OAK BROOK, IL 60523
 630.574.3500

PRINTED IN U.S.A.

FOR PARTS, CONTACT YOUR LOCAL DISTRIBUTOR OR CALL 1.800.323.0620