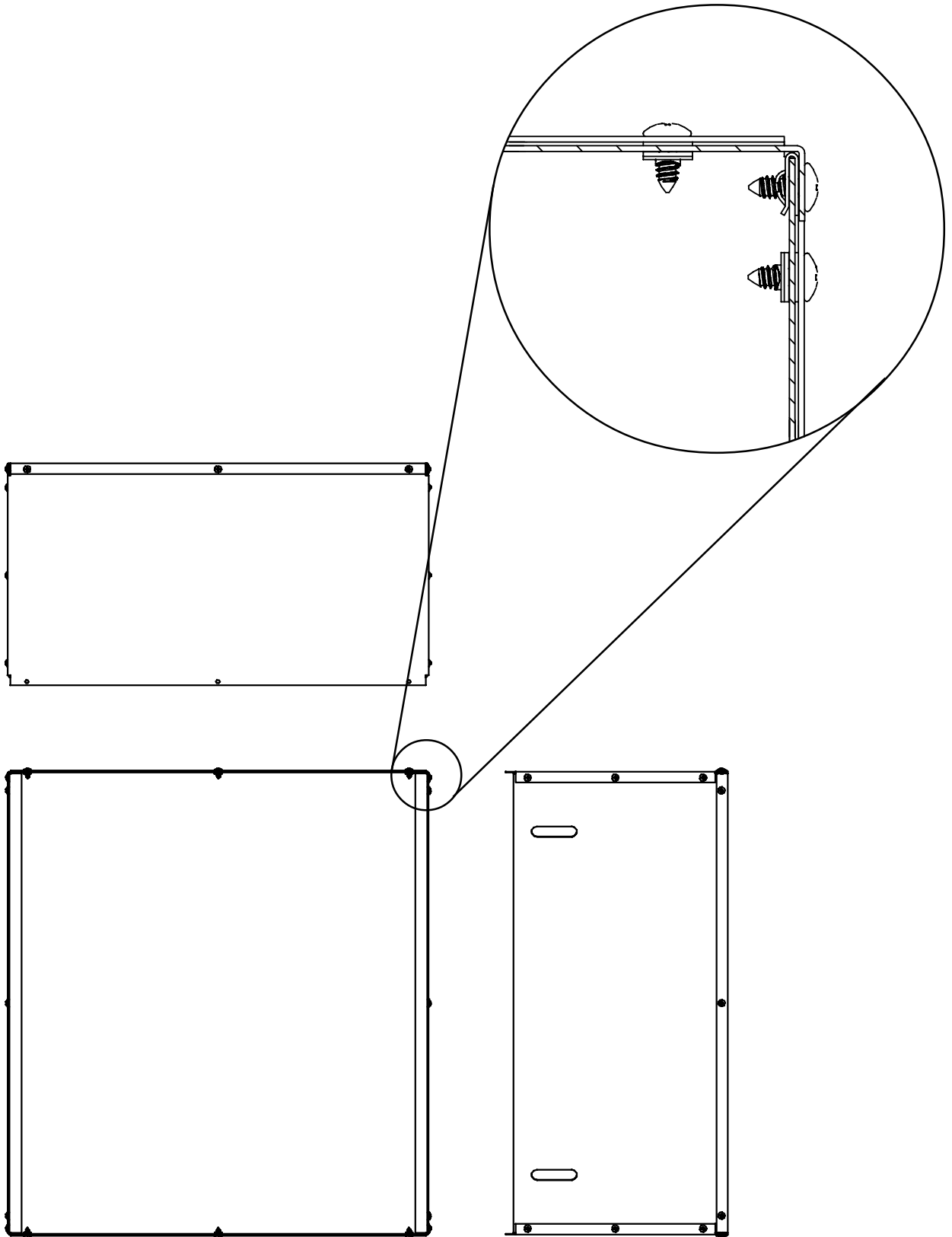


SJ19 WALL BOX INSTRUCTIONS

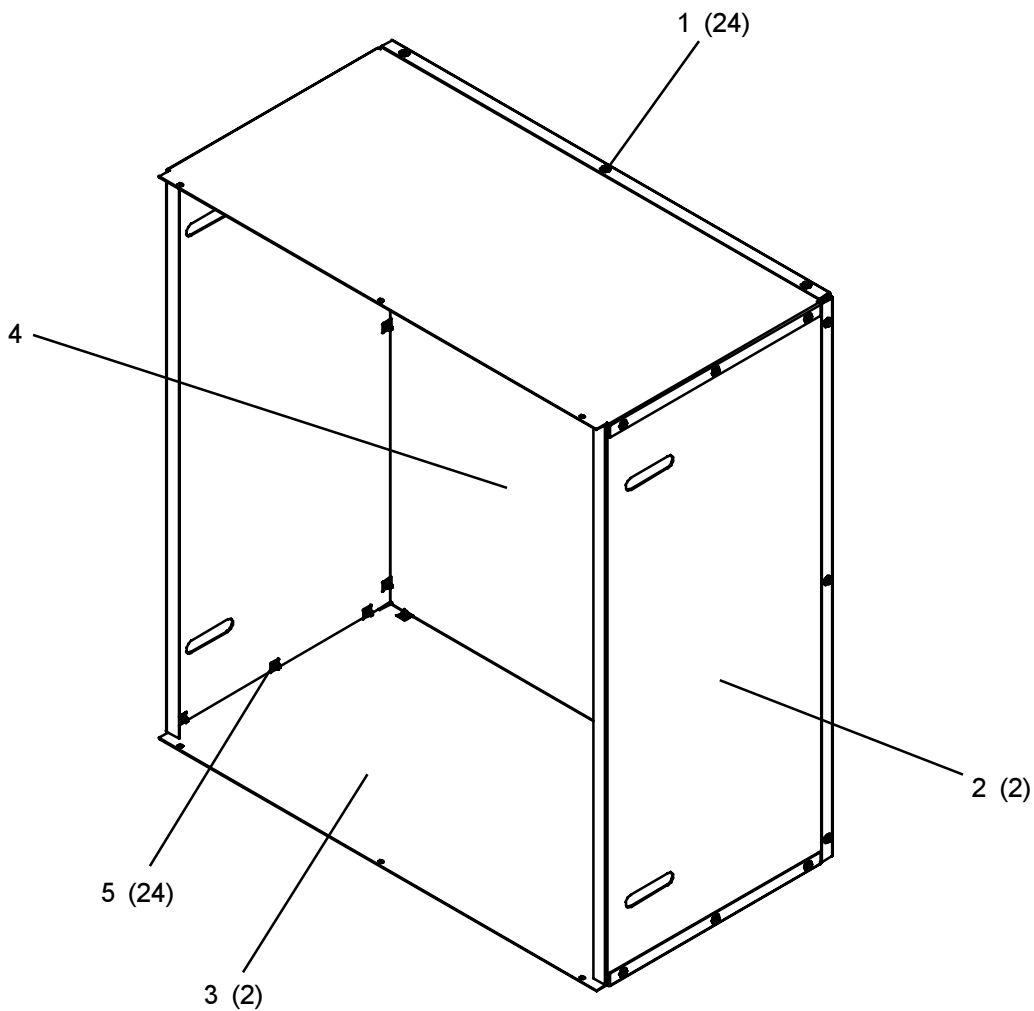


FOR PARTS, CONTACT YOUR LOCAL DISTRIBUTOR OR CALL 1.800.323.0620

SJ19 WALL BOX INSTRUCTIONS

ITEMIZED PARTS LIST

ITEMNO.	PART NO.	DESCRIPTION
1	110711942550	SCREW - #8-32 x 38 TH
2	26788C	PANEL - SIDE RH & LH
3	26789C	PANEL - TOP & BOTTOM
4	26790C	PANEL - BACK
5	70055C	NUT - SPEED 8-32



Halsey Taylor
2222 CAMDEN COURT
OAK BROOK, IL 60521
630.574.3500

FOR PARTS, CONTACT YOUR LOCAL DISTRIBUTOR OR CALL 1.800.323.0620