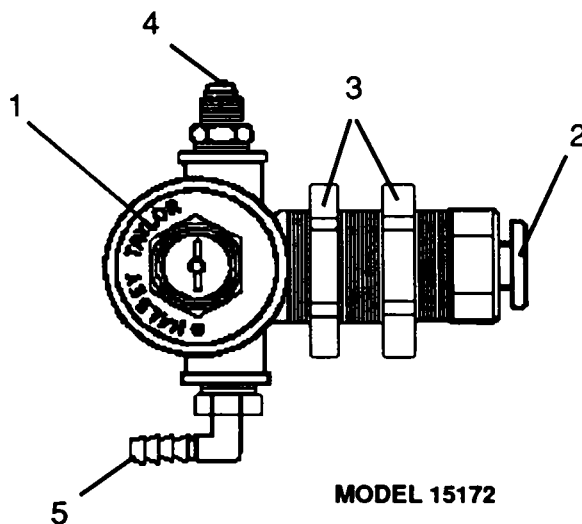
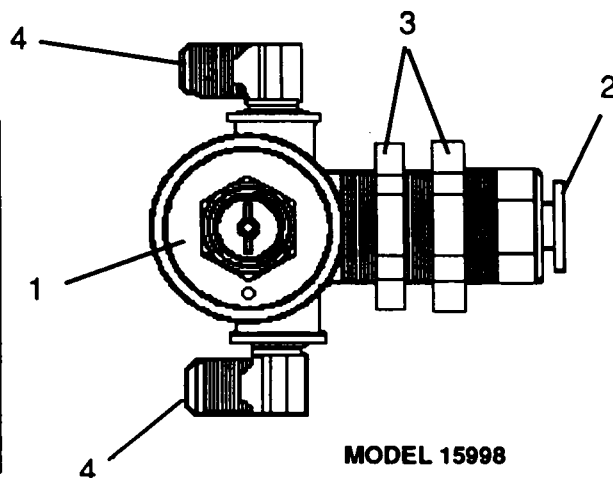


BFC VALVE ASSEMBLIES



VALVE ASSEMBLY – 60-15172-51-550		
REF NO	PART NUMBER	DESCRIPTION
1	60-15173-51-550	Valve Body Assembly*
1a	60-08050-51-550	Diaphragm Repair Kit* (for Item 1)
2	60-15168-51-550	Push Button Assembly*
3	10-26074-31-560	Lock Nut (2 each)
4	16-42254-16-550	1/4 x 5/16 Coupling
5	10-14497-31-550	1/4 Elbow

VALVE ASSEMBLY – 60-15998-51-550 (Obsolete)		
REF NO	PART NUMBER	DESCRIPTION
1	60-15173-51-550	Valve Body Assembly*
1a	60-08050-51-550	Diaphragm Repair Kit* (for Item 1)
2	60-15168-51-550	Push Button Assembly*
3	10-26074-31-560	Lock Nut (2 each)
4	16-01617-08-550	1/4 x 3/8 Elbow (2 each)



* Look for detailed schematic of this part in Detailed Parts Section

To order parts, contact your nearest Halsey Taylor wholesaler or representative.

Continued product improvement makes specifications subject to change without notice.

Halsey Taylor.

P.O. BOX 9001
OAKBROOK, ILLINOIS 60521

BFC VALVE ASSEMBLIES

Model 42278

VALVE ASSEMBLY – 60-42278-51-550		
REF NO	PART NUMBER	DESCRIPTION
1	10-27081-31-560	Valve Body
2	10-12093-51-740	Valve Cap
3	40-42302-42-550	Retainer
4	10-01187-40-560	Diaphragm
5	60-15168-51-550	Push Button Stem Assy
6	10-26074-31-560	Lock Nut (2 each)
7	10-42341-31-550	Elbow (2 each)
8	16-42277-42-550	Male Connector
9	10-42297-51-550	Watts Regulator

