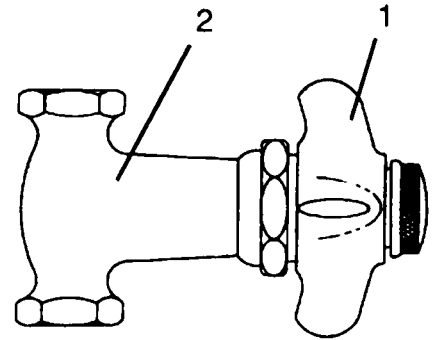


# CROSS HANDLE VALVE ASSEMBLIES

## STEM ASSEMBLY – 60-09419-51-640

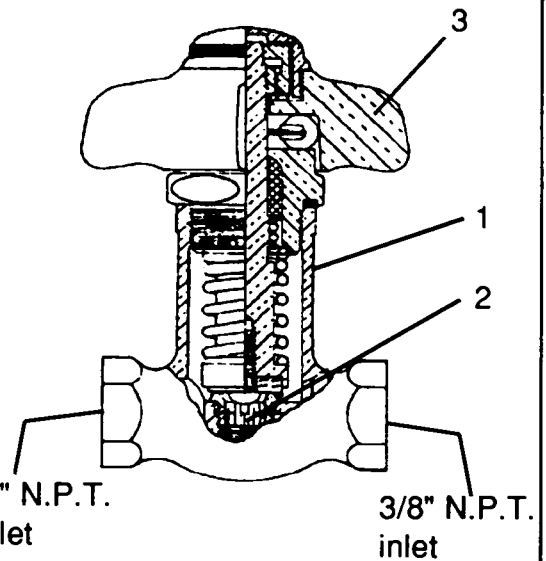
REF NO	PART NUMBER	DESCRIPTION
1	60-02118-08-640	Valve Body
2	60-01128-51-640	Cross Handle Stem Assembly*
2a	60-08250-51-550	Stem Repair Kit (for item 2)*



1/2" IPS inlet and outlet

## STEM ASSEMBLY – 60-02019-51-640

REF NO	PART NUMBER	DESCRIPTION
1	16-00776-08-640	Valve Body
2	16-06451-08-640	Seat
3	60-01128-51-640	Cross Handle Stem Assembly*
3a	60-08250-51-550	Stem Repair Kit (for item 3)*

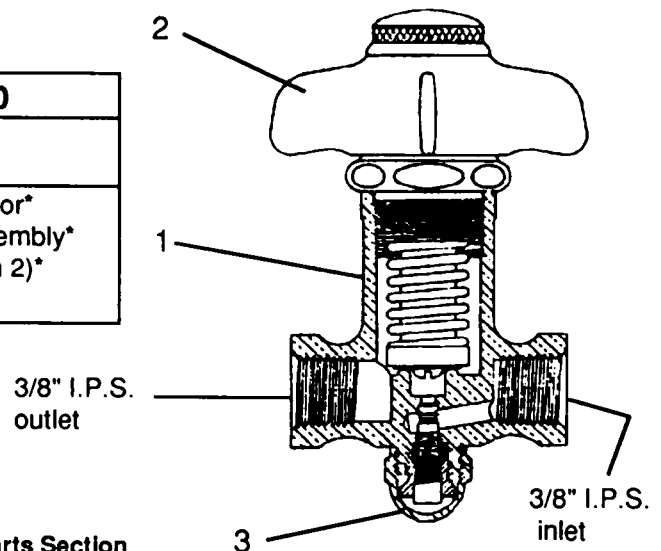


3/8" N.P.T. outlet

3/8" N.P.T. inlet

## STEM ASSEMBLY – 60-02255-51-640

REF NO	PART NUMBER	DESCRIPTION
1	60-07650-51-640	Valve Body with Regulator*
2	60-01128-51-640	Cross Handle Stem Assembly*
2a	60-08250-51-550	Stem Repair Kit (for item 2)*
3	11-02240-08-640	Cap



3/8" I.P.S. outlet

3/8" I.P.S. inlet

\* Look for detailed schematic of this part in Detailed Parts Section

To order parts, contact your nearest Halsey Taylor wholesaler or representative.

*Halsey Taylor.*