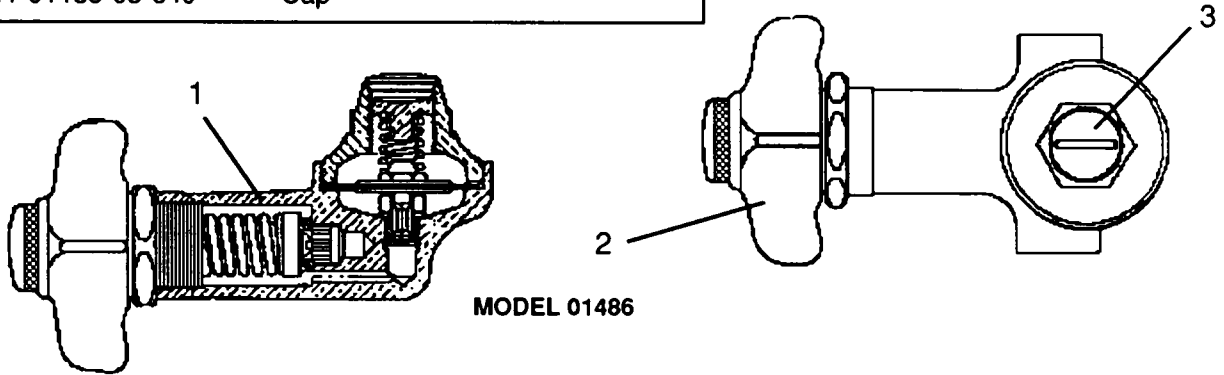


SELF-CLOSING VALVE ASSEMBLIES

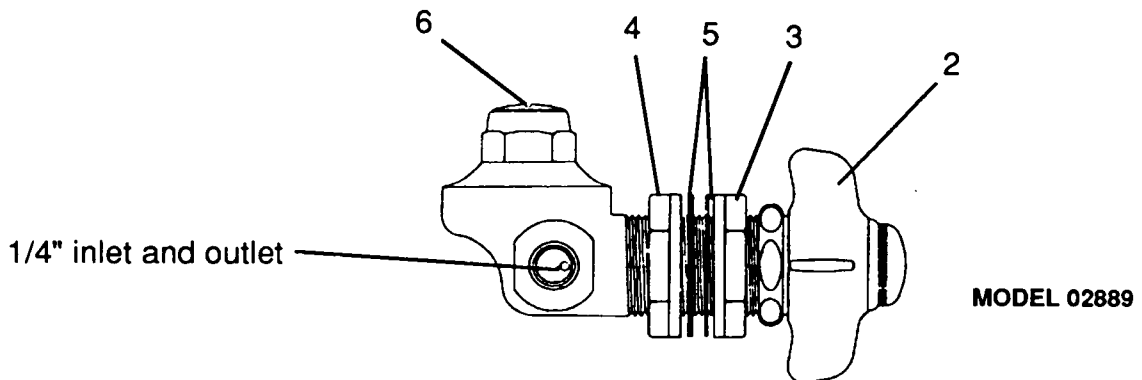
VALVE ASSEMBLY – 60-01486-51-640

REF NO	PART NUMBER	DESCRIPTION
1	60-09418-51-640	Regulator Assembly*
1a	60-08050-51-550	Diaphragm Repair Kit (for item 1)*
2	60-01128-51-640	Cross Handle Assembly*
2a	60-08250-51-550	Stem Repair Kit (for item 2)*
3	41-01185-08-640	Cap



VALVE ASSEMBLY – 60-02889-51-640

REF NO	PART NUMBER	DESCRIPTION
1	60-02596-51-550	Regulator Assembly*
1a	60-08050-51-550	Diaphragm Repair Kit (for item 1)*
2	60-01128-51-640	Cross Handle Assembly*
2a	60-08250-51-550	Stem Repair Kit (for item 2)*
3	41-15642-08-640	Hex Nut
4	11-01157-08-550	Lock Nut
5	11-01158-24-740	Gasket (2 each)
6	41-01185-08-640	Cap



* Look for detailed schematic of this part in Detailed Parts Section

To order parts, contact your nearest Halsey Taylor wholesaler or representative.

Continued product improvement makes specifications subject to change without notice.

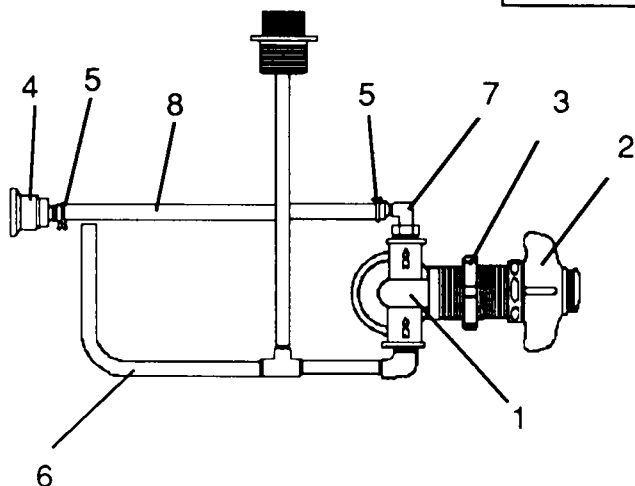
Halsey Taylor.

SELF CLOSING VALVE ASSEMBLIES

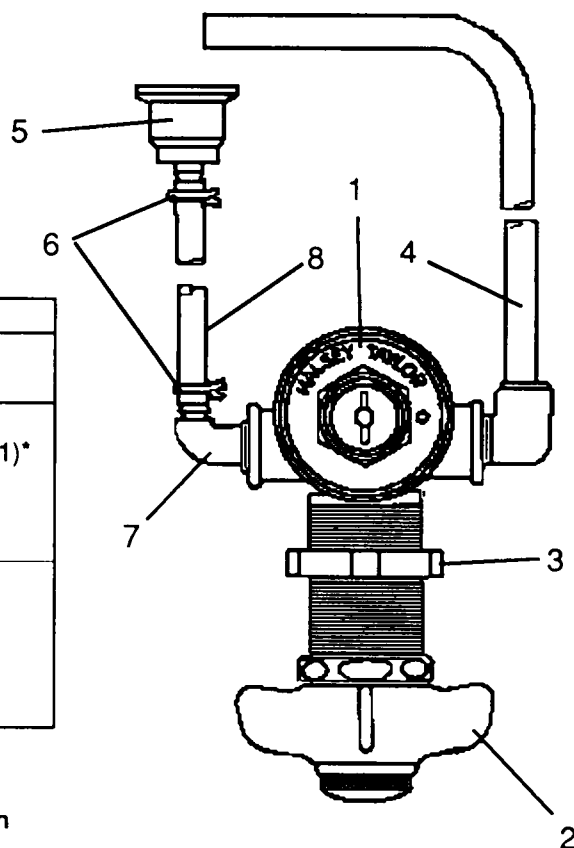
VALVE ASSEMBLY – 60-16324-51-550

REF NO	PART NUMBER	DESCRIPTION
1	60-15173-51-550	Valve Assembly*
1a	60-08050-51-550	Diaphragm Repair Kit (for item 1)*
2	60-01128-51-640	Cross Handle Stem Assembly*
2a	60-08250-51-550	Stem Repair Kit (for item 2)*
3	10-26074-31-560	Locknut
4	60-16323-51-550	Projector Connection
5	10-14225-43-550	Hose Clamp (2 each)
6	60-16353-51-550	Water Inlet Assembly
7	10-14497-31-550	Elbow
8	40-14960-31-660	Tubing

MODEL 16324



MODEL 16322



VALVE ASSEMBLY – 60-16322-51-550

REF NO	PART NUMBER	DESCRIPTION
1	60-15173-51-550	Regulator Assembly*
1a	60-08050-51-550	Diaphragm Repair Kit (for item 1)*
2	60-01128-51-640	Cross Handle Stem Assy*
2a	60-08250-51-550	Stem Repair Kit (for item 2)*
3	10-26074-31-560	Lock Nut
4	60-16355-51-550	Inlet Tube Assembly
5	60-16323-51-550	Projector Connection
6	10-14225-43-550	Hose Clamp (2 each)
7	10-14497-31-550	Elbow
8	40-14961-31-660	Tubing

* Look for detailed schematic of this part in Detailed Parts Section

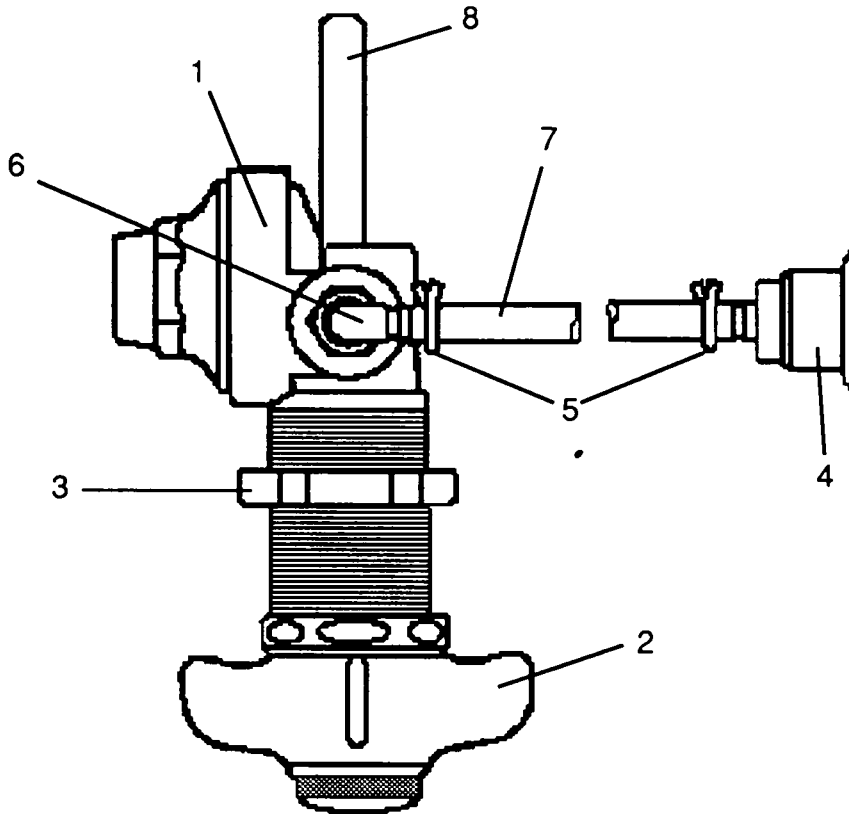
To order parts, contact your nearest Halsey Taylor wholesaler or representative.

Continued product improvement makes specifications subject to change without notice.

Halsey Taylor.

SELF CLOSING VALVE ASSEMBLIES

VALVE ASSEMBLY – 60-16327-51-550		
REF NO	PART NUMBER	DESCRIPTION
1	60-14549-51-550	Valve Assembly*
1a	60-08050-51-550	Diaphragm Repair Kit (for item 1)*
2	60-01128-51-640	Cross Handle Stem Assembly*
2a	60-08250-51-550	Stem Repair Kit (for item 2)*
3	10-26074-31-560	Locknut
4	60-16323-51-550	Projector Connection
5	10-14225-43-550	Hose Clamp (2 each)
6	10-14497-31-550	Elbow
7	40-14209-31-660	Tubing
8	60-16362-51-550	Inlet Tube Assembly



* Look for detailed schematic of this part in Detailed Parts Section

To order parts, contact your nearest Halsey Taylor wholesaler or representative.

Continued product improvement makes specifications subject to change without notice.

Halsey Taylor.