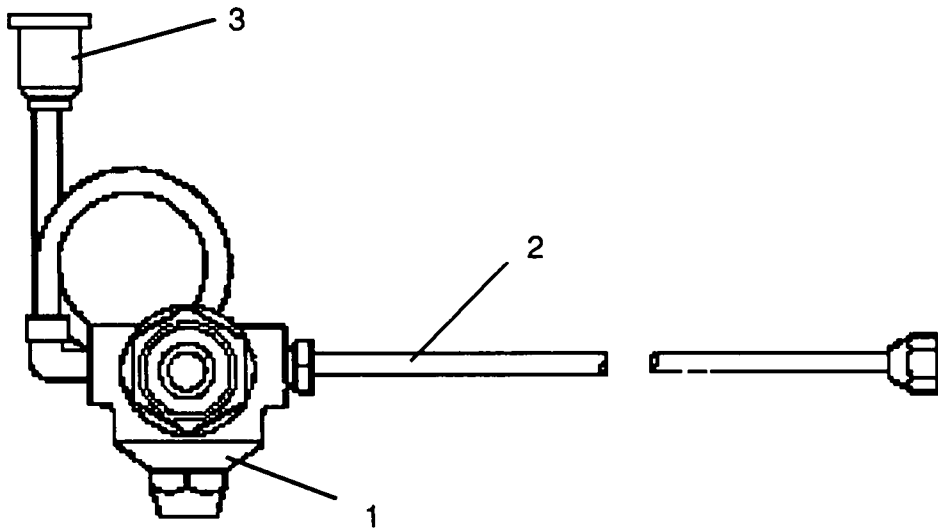


SUPPLY LINE ASSEMBLIES

SUPPLY LINE ASSEMBLY				
REF NO	PART NUMBER	DESCRIPTION	60-08248-51-550	60-11807-51-550
1	60-14200-51-550	Valve Body Assembly*	X	X
1a	60-08050-51-550	Valve Repair Kit (for item 1)*	X	X
2	60-01878-51-550	Inlet Supply Tube Assy	X	X
3	60-08344-51-550	Projector Tube Assembly	X	
3	60-03421-51-550	Projector Tube Assembly		X



* Look for detailed schematic of this part in Detailed Parts Section

To order parts, contact your nearest Halsey Taylor wholesaler or representative.

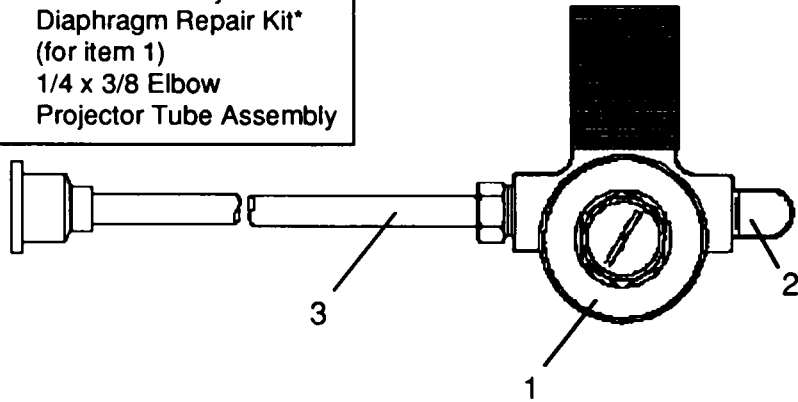
Continued product improvement makes specifications subject to change without notice.

Halsey Taylor.

SUPPLY LINE ASSEMBLIES

SUPPLY LINE ASSEMBLY – 60-06619-51-550

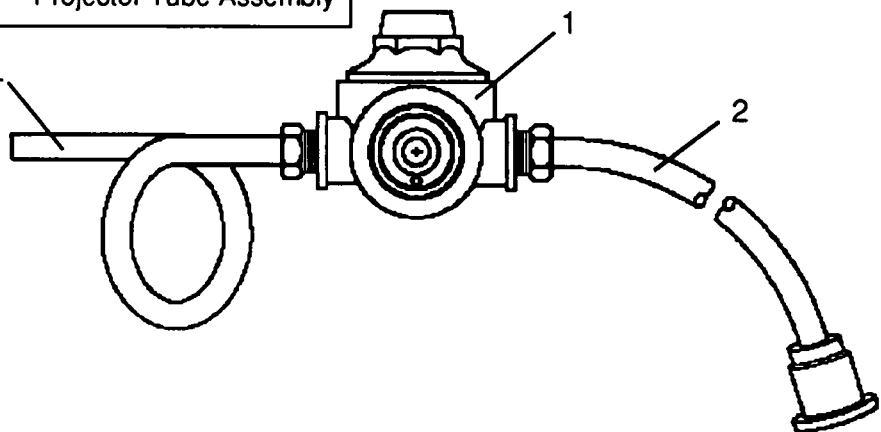
REF	PART NUMBER	DESCRIPTION
NO		
1	60-14200-51-740	Valve Assembly*
1a	60-08050-51-550	Diaphragm Repair Kit* (for item 1)
2	16-01617-08-550	1/4 x 3/8 Elbow
3	60-03488-51-550	Projector Tube Assembly



SUPPLY LINE ASSEMBLY – 60-26867-51-550

REF	PART NUMBER	DESCRIPTION
NO		
1	60-14200-51-740	Valve Assembly*
1a	60-08050-51-550	Diaphragm Repair Kit* (for item 1)
2	60-03520-51-550	Projector Tube Assembly

Not Available
Separate



* Look for detailed schematic of this part in Detailed Parts Section

To order parts, contact your nearest Halsey Taylor wholesaler or representative.

Continued product improvement makes specifications subject to change without notice.

Halsey Taylor.