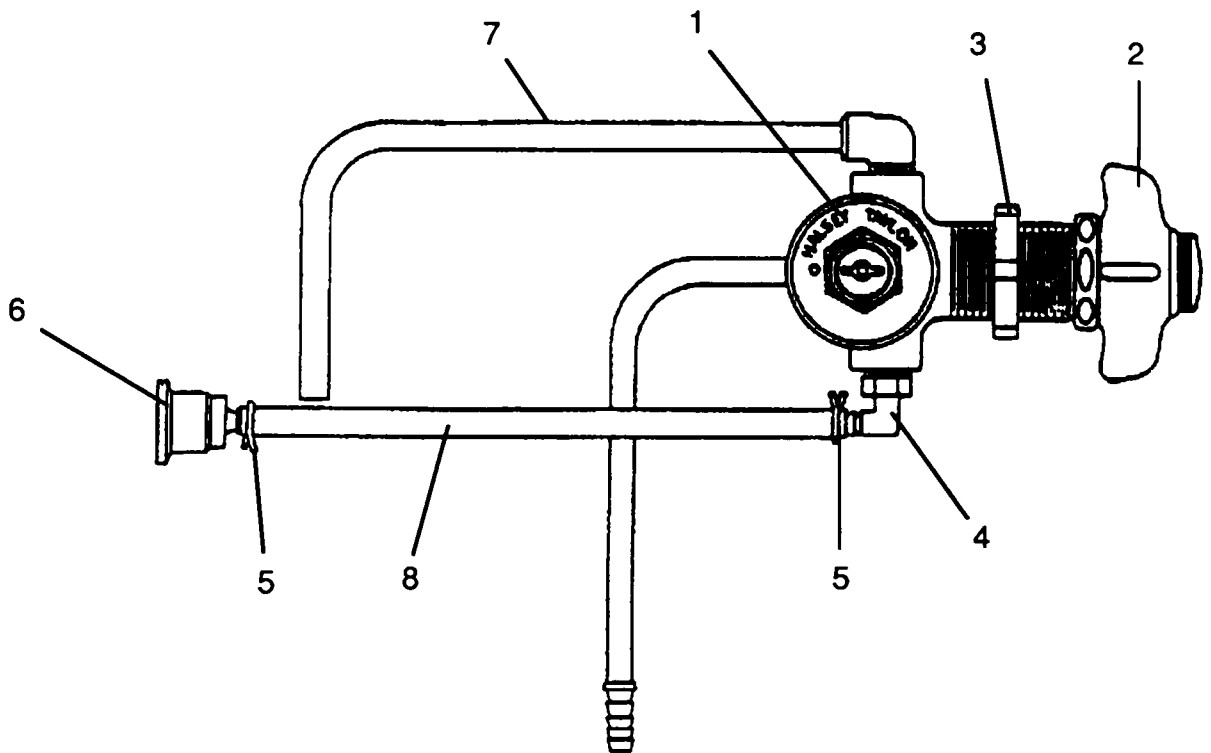


SUPPLY LINE ASSEMBLIES WITH CUSPIDOR CONNECTION

| LINE ASSEMBLY – 60-16361-51-550 | | |
|---------------------------------|-----------------|------------------------------------|
| REF NO | PART NUMBER | DESCRIPTION |
| 1 | 60-16359-51-550 | Valve Assembly* |
| 1a | 60-08050-51-550 | Diaphragm Repair Kit (for item 1)* |
| 2 | 60-01128-51-640 | Cross Handle Stem Assembly* |
| 2a | 60-08250-51-550 | Stem Repair Kit (for item 2)* |
| 3 | 10-26074-31-560 | Locknut |
| 4 | 10-14497-31-550 | Elbow |
| 5 | 10-14225-43-550 | Hose Clamp (2 each) |
| 6 | 60-16323-51-550 | Projector Connection |
| 7 | 60-16355-51-550 | Water Inlet Assembly |
| 8 | 40-14961-31-660 | Tubing |



* Look for detailed schematic of this part in Detailed Parts Section

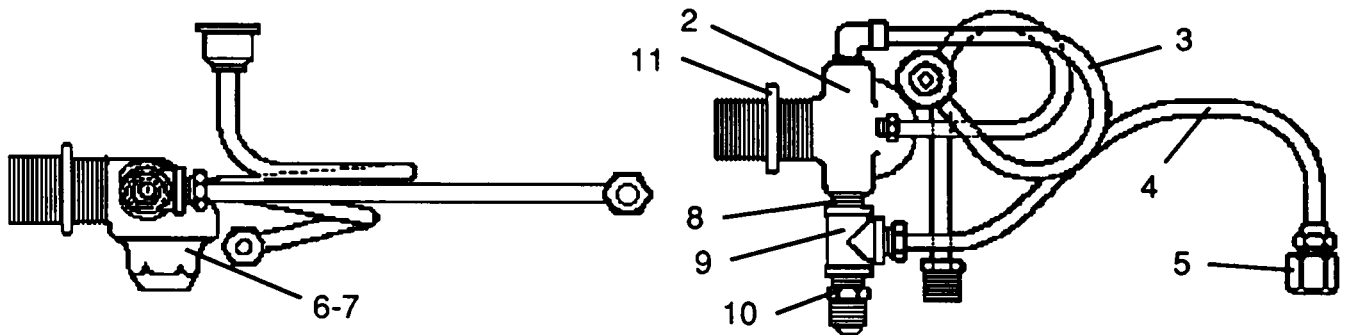
To order parts, contact your nearest Halsey Taylor wholesaler or representative.

Continued product improvement makes specifications subject to change without notice.

Halsey Taylor.

SUPPLY LINE ASSEMBLIES WITH CUSPIDOR CONNECTION

| WATER SUPPLY LINE ASSEMBLY/W CUSPIDOR CONNECTION | | | | |
|--|-----------------|---|-----------------|-----------------|
| REF NO | PART NUMBER | DESCRIPTION | | |
| | | | 60-09830-51-550 | 60-10387-51-550 |
| 1 | 60-08050-51-550 | Diaphragm Repair Kit* | X | X |
| 2 | 60-07646-51-550 | Valve Body (does not include diaphragm) | X | X |
| 2a | 16-06451-08-640 | Renewable Seat (included in 2) | X | X |
| 3 | 60-03421-51-550 | Projector Supply Tube | X | X |
| 4 | 60-03424-51-550 | Inlet Supply Line | X | |
| 4 | 60-01878-51-550 | Inlet Supply Line | | X |
| 5 | 16-14806-08-550 | Coupling | X | X |
| 6 | 16-01192-08-550 | Front Cap | X | X |
| 7 | 11-01184-08-550 | Adjusting Screw | X | X |
| 8 | 16-00203-08-550 | Nipple | | X |
| 9 | 16-01060-08-550 | Tee | | X |
| 10 | 16-02083-08-550 | Coupling | | X |
| 11 | 11-01157-08-550 | Locknut | X | X |



* Look for detailed schematic of this part in Detailed Parts Section

To order parts, contact your nearest Halsey Taylor wholesaler or representative.

Continued product improvement makes specifications subject to change without notice.

Halsey Taylor.