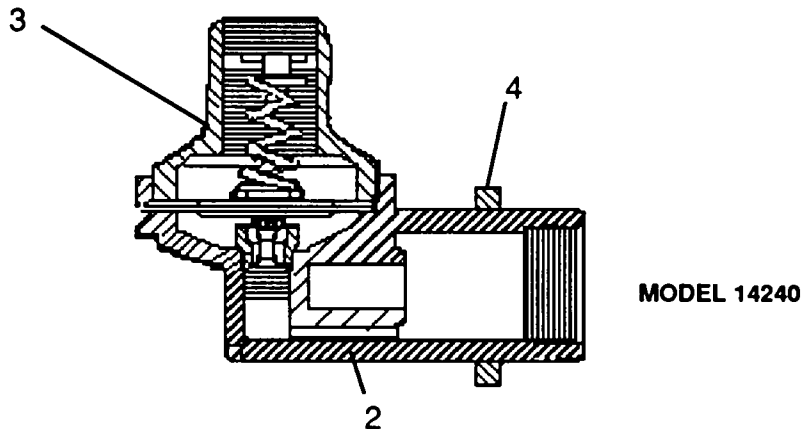


VALVE BODY ASSEMBLIES

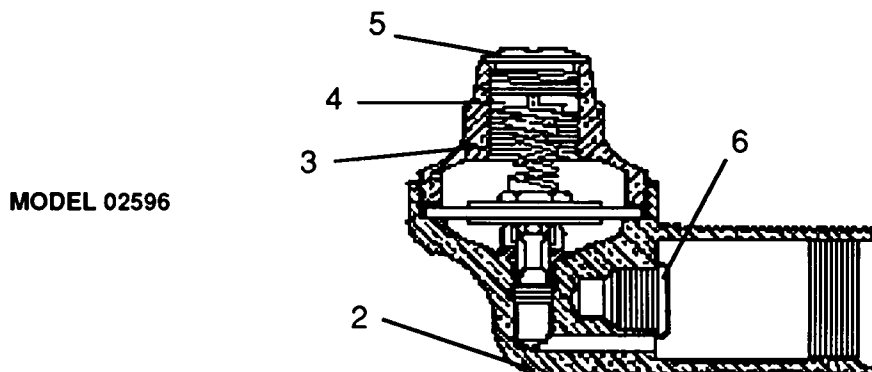
PLASTIC VALVE BODY ASSEMBLIES

REF NO	PART NUMBER	DESCRIPTION	60-14200-51-740	60-14240-51-550	60-14549-51-550	60-15173-51-550
			R-Handed	L-Handed	R-Handed	L-Handed
1	60-08050-51-550	Valve Repair Kit*	X	X	X	X
2	40-14201-31-560	Valve Body	X		X	
2	40-14239-31-560	Valve Body		X		X
3	10-12093-51-740	Cap	X	X	X	X
4	11-01157-08-550	Locknut	X	X		



BRASS VALVE BODY ASSEMBLIES

REF NO	PART NUMBER	DESCRIPTION	60-02596-51-550	60-09418-51-640	60-16359-51-550
			R-Handed		L-Handed/w Cusp Conn
1	60-08050-51-550	Valve Repair Kit*	X	X	X
2	16-02480-08-550	Valve Body	X		
2	16-01239-08-640	Valve Body		X	
2	40-16360-51-550	Valve Body			X
3	16-01192-08-550	Cap	X		X
3	16-01192-08-640	Cap		X	
4	11-01184-08-550	Adjusting Screw	X	X	X
5	16-01185-08-550	Adjusting Screw Cap	X		
6	16-06451-08-640	Renewable Seat	X	X	X



* Look for detailed schematic of this part in Detailed Parts Section

To order parts, contact your nearest Halsey Taylor wholesaler or representative.

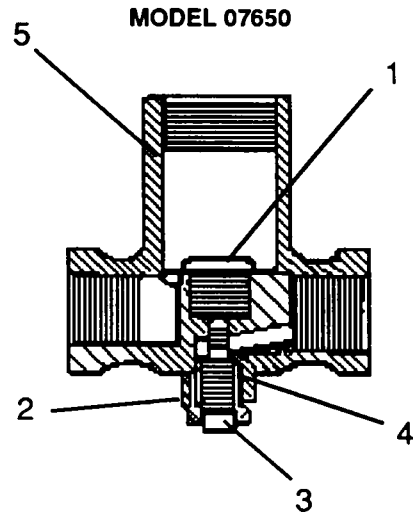
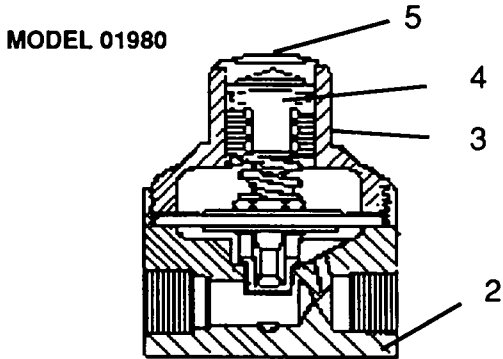
Continued product improvement makes specifications subject to change without notice.

Halsey Taylor.

VALVE ASSEMBLIES

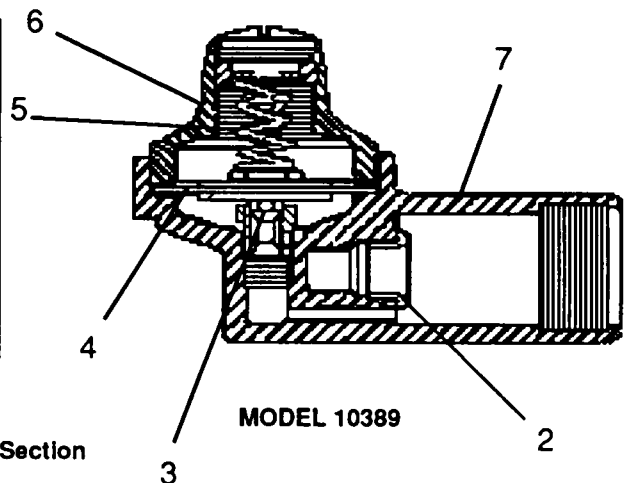
BRASS VALVE BODY ASSEMBLIES

REF NO	PART NUMBER	DESCRIPTION	60-01196-51-550	60-01980-51-XXX
			1/4" IPS	3/8"IPS
1	60-08050-51-550	Valve Repair Kit*	X	X
2	16-01194-08-550	Valve Body	X	
2	16-01979-08-XXX	Valve Body		X
3	16-01192-08-550	Cap	X	
3	16-01192-08-XXX	Cap		X
4	11-01184-08-550	Adjusting Screw	X	X
5	16-01185-08-550	Adjusting Screw Cap	X	X



VALVE BODY W/REGULATOR – 60-07650-51-640		
REF NO	PART NUMBER	DESCRIPTION
1	16-06451-08-640	Renewable Seat
2	16-02239-08-550	Gland Packing
3	11-02238-08-820	Regulating Screw
4	10-26722-40-560	O-Ring (2 each)
5	16-02231-08-640	Valve Body

VALVE BODY ASSEMBLY – 60-10389-51-920		
REF NO	PART NUMBER	DESCRIPTION
1	60-08050-51-550	Diaphragm Repair Kit*
2	16-06451-08-640	Renewable Seat
3	16-14755-08-550	Brass Bushing
4	11-42257-42-550	Washer
5	11-00911-35-550	Spring
6	10-12093-51-740	Cap Assembly
7	16-08682-08-550	Valve Body



* Look for detailed schematic of this part in Detailed Parts Section
XXX - See Color Chart on Page I-A

To order parts, contact your nearest Halsey Taylor wholesaler or representative.

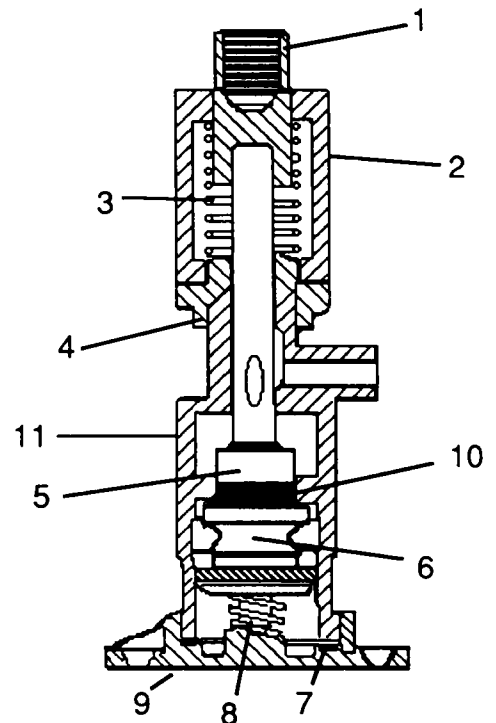
Continued product improvement makes specifications subject to change without notice.

Halsey Taylor.

VALVE ASSEMBLIES

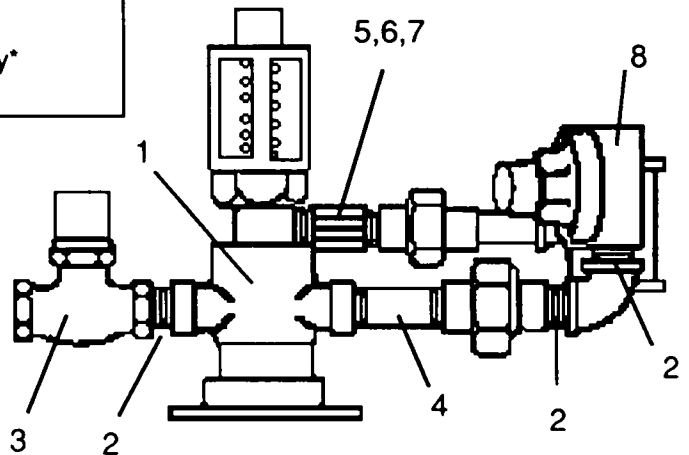
HOPPER VALVE – 16-08209-51-550

REF NO	PART NUMBER	DESCRIPTION
1	16-03390-08-550	Rod Socket
2	16-03391-08-550	Top Cap
3	11-03392-08-550	Top Spring
4	16-03393-08-550	Gland Nut
5	16-03397-08-550	Stem Packing Nut
6	16-03398-08-550	Stem
7	10-03400-40-560	Base Washer
8	11-03401-08-550	Bottom Spring
9	16-03402-08-550	Base
10	10-03405-40-560	Rubber Seat Washer
11	16-03540-08-550	Valve Body
12	16-03412-51-550	Valve Gasket Kit



HOPPER VALVE ASSEMBLY – 60-08210-51-550

REF NO	PART NUMBER	DESCRIPTION
1	16-08209-51-550	Hopper Valve*
1a		Gasket Repair Kit
2	16-00129-08-550	Nipple (3 each)
3	16-00750-51-640	Loose Key Stop
4	16-01399-08-550	Brass Nipple
5	10-15449-01-640	Bearing Air Cap
6	11-06873-35-550	Spring
7	16-07617-08-550	Body Ball Check
8	60-01980-51-550	Regulator Assembly*
8a	60-08050-51-550	Valve Repair Kit*



* Look for detailed schematic of this part in Detailed Parts Section

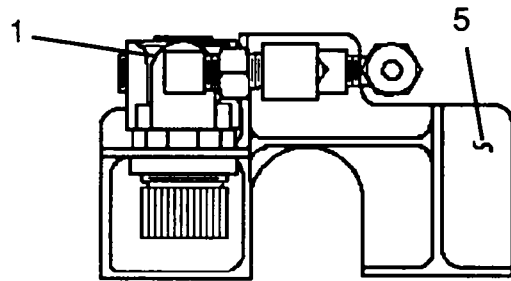
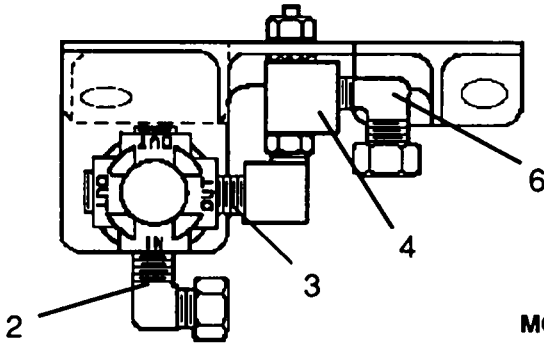
To order parts, contact your nearest Halsey Taylor wholesaler or representative.

Continued product improvement makes specifications subject to change without notice.

Halsey Taylor.

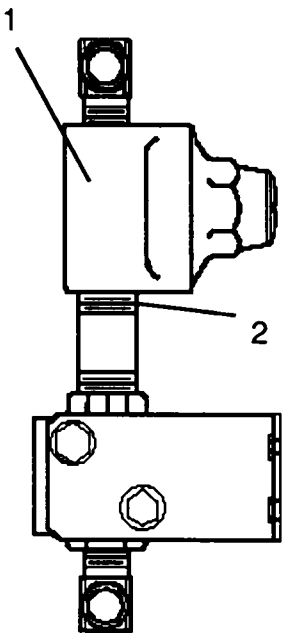
VALVE ASSEMBLIES

VALVE CLUSTER – 60-15765-51-550		
REF NO	PART NUMBER	DESCRIPTION
1	10-42297-51-550	Regulator
2	16-15623-08-550	Elbow
3	16-00203-08-550	Nipple
4	10-15697-51-550	Clippard Valve
5	10-15699-51-550	Mounting Bracket
6	16-15722-08-550	Elbow

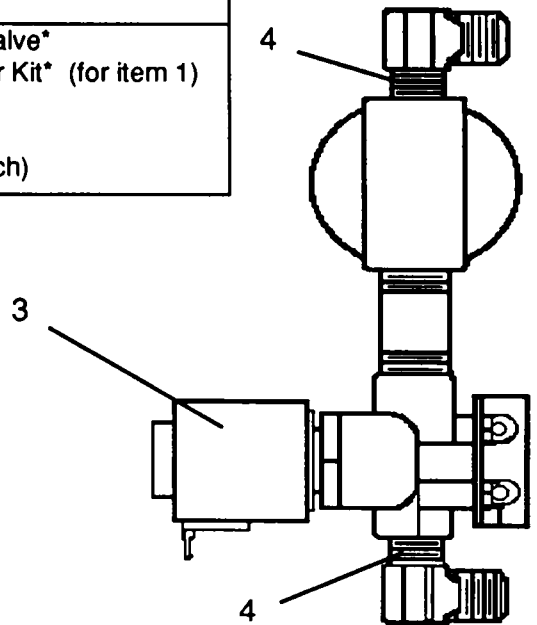


MODEL 15765

VALVE CLUSTER – 60-26674-51-550		
REF NO	PART NUMBER	DESCRIPTION
1	60-01980-51-550	Regulator Valve*
1a	60-08050-51-550	Valve Repair Kit* (for item 1)
2	16-00972-08-550	Nipple
3	19-26185-51-550	Solenoid
4	16-02184-08-550	Elbow (2 each)



MODEL 26674



* Look for detailed schematic of this part in Detailed Parts Section

To order parts, contact your nearest Halsey Taylor wholesaler or representative.

Continued product improvement makes specifications subject to change without notice.

Halsey Taylor.