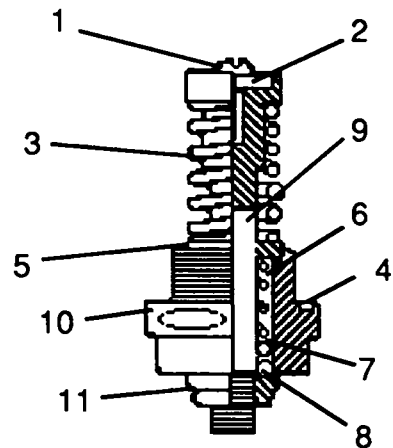


# VALVE STEM ASSEMBLIES

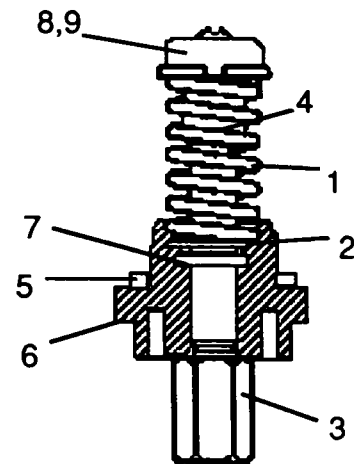
## STEM ASSEMBLY (Brass) – 60-08817-51-550

REF NO	PART NUMBER	DESCRIPTION
1	11-42263-42-550	Screw
2	10-00354-40-560	Seat Washer
3	11-00357-42-830	Spring
4	11-27055-01-550	Gasket
5	11-01132-08-550	Stem Washer
6	11-01133-42-550	Packing Spring
7	11-01134-08-550	Stem Washer
8	10-26454-40-550	O-Ring (2 required)
9	60-09302-51-550	Valve Stem Assembly
10	16-06143-08-550	Cap
11	11-01138-08-550	Adjusting Nut



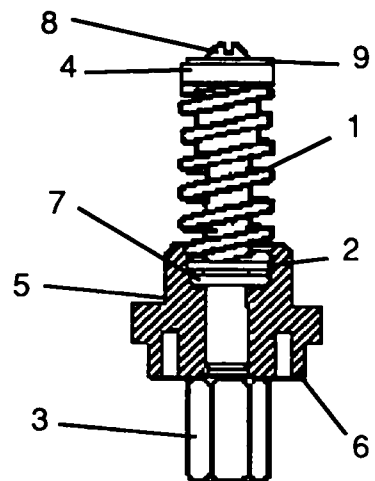
## STEM ASSEMBLY (Plastic) – 60-14202-51-550

REF NO	PART NUMBER	DESCRIPTION
1	11-00357-42-830	Valve Spring
2	11-42256-42-550	Stem Washer
3	16-26004-08-550	Stem Hex Nut
4	10-14207-31-550	Valve Stem
5	10-14203-40-550	O-Ring
6	40-14205-31-550	Plastic Seal Cap
7	10-14208-40-550	O-Ring
8	10-00354-40-560	Seat Washer
9	11-42224-42-550	s/s Seat Screw



## STEM ASSEMBLY (Brass) – 60-14829-51-550

REF NO	PART NUMBER	DESCRIPTION
1	11-00357-42-830	Valve Spring
2	11-42256-42-550	Stem Washer
3	16-26004-08-550	Stem Hex Nut
4	16-05410-08-550	Valve Stem
5	10-14203-40-550	O-Ring
6	40-14205-31-550	Plastic Seal Cap
7	10-14208-40-550	O-Ring
8	11-42263-42-550	Screw
9	10-00354-40-560	Seat Washer



\* Look for detailed schematic of this part in **Detailed Parts** Section

**To order parts, contact your nearest Halsey Taylor wholesaler or representative.**

*Continued product improvement makes specifications subject to change without notice.*

**Halsey Taylor.**