

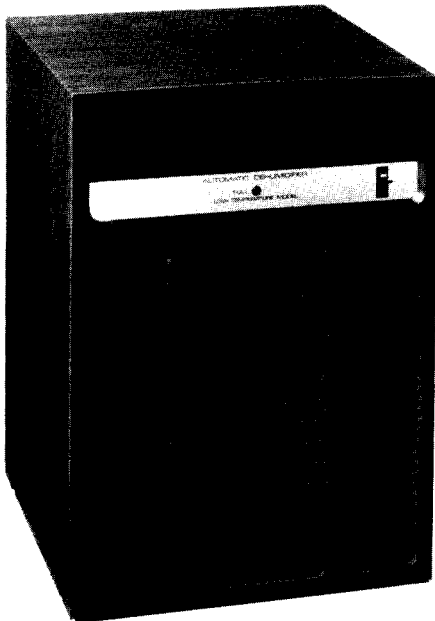
SERVICE INSTRUCTIONS

...with Illustrated Parts Breakdown

DEHUMIDIFIER MODELS:

EBCO®

D1600	D2700L-1	D3200	D3800L-1	D3800HG
D1600L	D2700L-1-50	D3200L	D3800L-1-50	D3800HG-50
D1600-50	D2700		D3800	
D1600L-50	D2700L		D3800L	
D2200	D2700-50		D3800-50	
D2200L	D2700L-50		D3800L-50	



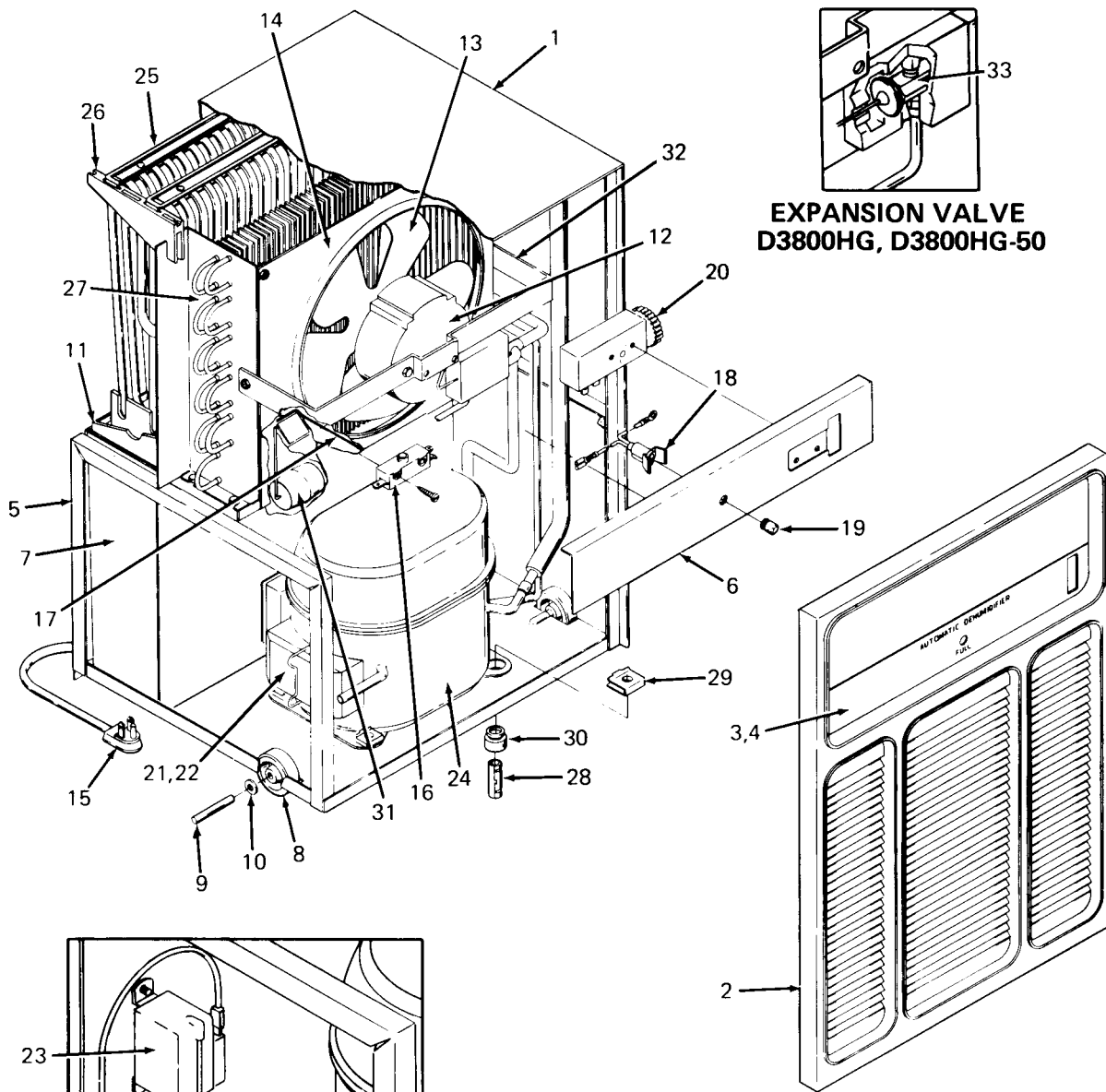
DESCRIPTION

Dehumidifiers are used to prevent moisture damage in basements, laundry rooms and any other enclosed areas in your home. These units plug into standard wall outlets and have a sealed refrigeration system with a quiet running fan.

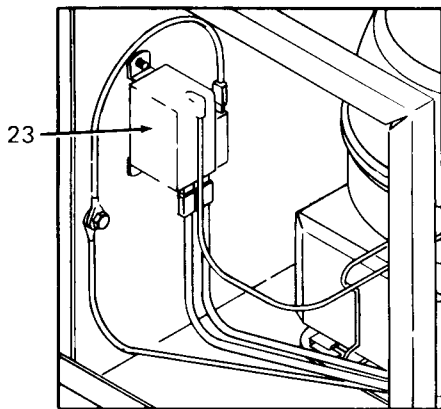
SPECIFICATIONS

Voltage	115 VAC ±10%/1PH/60 Hertz
Voltage (-50 Models)	220-240 VAC 50 Hertz
Size	21-3/4" H., 15" W., 14-1/4" D.
Shipping Weight (Approx)	50-60 LBS.

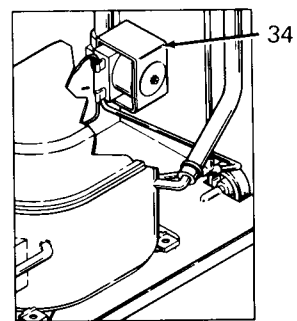
Models:	D1600 D1600-50	D2200	D2700 D2700-50	D3200	D3800 D3800-50	D3800HG D3800HG-50
Capacity, Pint	16	22	27	32	38	38
Refrigerant Refrigerant Charge, OZ.	R-500 5.5	R-500 9.3	R-500 7.9	R-500 8.5	R-500 7.9	R-22 12.3
Oil Charge, OZ.	10	10	10	10	10	10
Amps Amps (230 volt, -50 models)	3.4 2.8	3.9	4.7 3.3	5.6	7.7 3.6	7.7 3.6
Compressor, HP (115 volt) Compressor, HP (230 volt, -50 models)	1/6 1/5	1/5	1/5 1/4	1/4	1/3 1/3	1/3 1/3



**EXPANSION VALVE
D3800HG, D3800HG-50**



**DEFROST CONTROL
D3800HG, D3800HG-50
ONLY**



**SOLENOID VALVE
D3800HG, D3800HG-50**

PARTS LIST

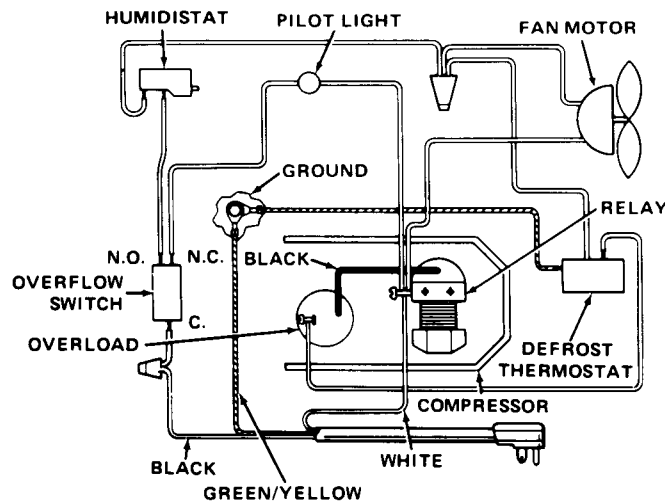
ITEM NO.	DESCRIPTION	D1600		D2700L-1		D3800L-1	
		D1600L	D2200	D2700L-1-50	D3800L-1-50	D3800L	D3800HG
		D1600-50	D2200L	D2700L-50	D3200L	D3800L-50	D3800HG-50
		D1600L-50	D2200L	D2700L-50	D3200L	D3800L-50	D3800HG-50
1	Cabinet Wrapper – Walnut	021962	021962	021962	021962	021962	021962
2	Grille – Brown	022020-002	022020-002	022020-002	022020-002	022020-002	022020-002
3	Oasis Trimplate	025896	022063	022064	022065	022652	026600
	Oasis Trimplate (L Models)	027391-001	027392-001	025800	027393-001	025128	---
4	Aquarius Trimplate	026990	022068	022069	022070	022653	026601
	Aquarius Trimplate (L Models)	027394-001	027395-001	025801	027396-001	025129	---
5	Frame Assembly	022609	022609	022609	022609	022609	022609
6	Support Bracket Assembly	022479	022479	022479	022479	022479	022479
7	Receptor	022018	022018	022018	022018	022018	022018
8	Wheel	017278	017278	017278	017278	017278	017278
9	Plated Axle	017277	017277	017277	017277	017277	017277
10	Flat Washer	016377	016377	016377	016377	016377	016377
11	Drip Tray	022600	022600	022600	022600	022600	022600
12	Fan Motor	027354-008	027354-008	027354-008	027354-008	027354-017	027354-017
	Fan Motor (230 Volt)	027354-018	---	027354-018	---	027354-007	027354-007
13	Fan Blade	022628	022628	022628	022628	022059	022059
14	Fan Shroud	022612	022612	022612	022612	022612	022612
15	Service Cord	026540-008	026540-008	026540-008	026540-008	026540-008	026540-008
16	Overflow Switch	017699	017699	017699	017699	017699	017699
17	Switch Lever	022128	022128	022128	022128	022128	022128
18	Pilot Light	022502	022502	022502	022502	022502	022502
	Pilot Light (230 Volt)	022503	---	022503	---	022503	022503
19	Pilot Light Lens	022501	022501	022501	022501	022501	022501
20	Humidistat	021977	021977	021977	021977	021977	021977
21	Relay	017289	017245	017978	018461	019434	019434
	Relay (230 Volt)	018169	---	017289	---	019677	019677
22	Overload	017290	017246	017977	022456	019603	019603
	Overload (230 Volt)	018170	---	022314	---	016942-004	016942-004
23	Defrost Control	---	---	---	---	---	025569
	Defrost Control (Not Shown)	027359-002	027359-002	027359-002	027359-002	027359-002	---
24	Compressor	017287	027495-009	027256-002	027495-007	027495-005	027495-005
	Compressor (230 Volt)	027495-017	---	027495-015	---	027495-014	027495-014
25	Evaporator Assembly	022672-001	022673-001	022664-001	022660-001	022638-001	026578
	Evaporator Assembly (230 Volt)	022672-001	---	022660-001	---	022638-001	026578
26	Evaporator Top Support	022599	022599	022599	022599	022599	022599
27	Condenser Assembly	022596	025843	025843	025843	025843	025696
28	Compressor Mounting Stud ...	020487	020487	020487	020487	020487	020487
29	Spring Clip	020486	020486	020486	020486	020486	020486
30	Compressor Grommet	018566	018566	018566	018566	018566	018566
31	Float Assembly	022459	022459	022459	022459	022459	022459
32	Fan Motor Bracket	022625	022625	022625	022625	022625	022625
33	Expansion Valve	---	---	---	---	---	026577
34	Solenoid Valve (120V/60Hz)	---	---	---	---	---	026575-001
	Solenoid Valve (220V/50Hz)	---	---	---	---	---	026575-002
NOT SHOWN							
	Insulation for Defrost Control	022443	022443	022443	022443	022443	---
	Humidistat Knob	022027	022027	022027	022027	022027	022027

ELECTRICAL DIAGRAM

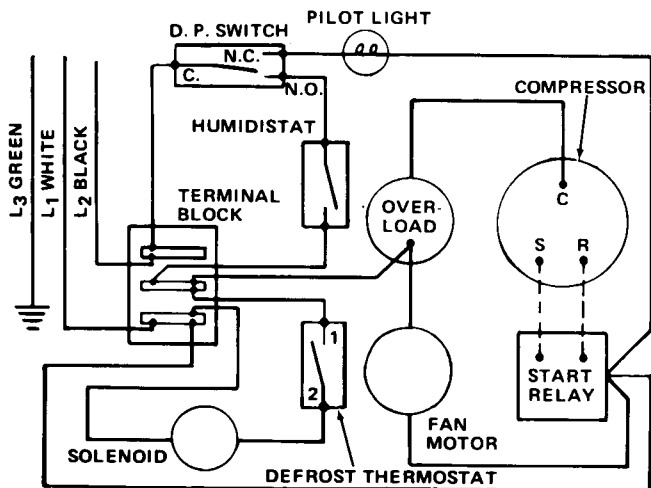
IF FROST OR ICE FORMS ON THE COILS OF YOUR DEHUMIDIFIER, THE TEMPERATURE AND HUMIDITY ARE TOO LOW. SHUT OFF THE DEHUMIDIFIER UNTIL THESE CONDITIONS ARE HIGHER.

WHEN YOUR HEATING SYSTEM IS IN USE, IT NORMALLY LOWERS THE HUMIDITY AND FURTHER DEHUMIDIFICATION IS UNNECESSARY.

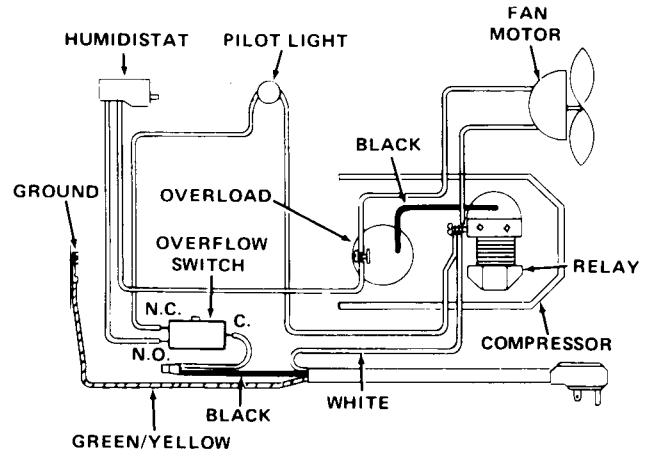
TO INSPECT UNIT, REMOVE TWO SCREWS ON EACH SIDE OF CABINET, AND LIFT OFF. IF THE FAN MOTOR IS EQUIPPED WITH OIL HOLES, LUBRICATE ONCE EACH YEAR WITH SAE #10 OIL.



D1600L, D2700L, D3800L,
 D1600L-50, D2700L-50, D3800L-50
 D2200L, D3200L,



D3800HG, D3800HG-50



D1600, D1600-50, D2200, D2700, D2700-50,
 D3200, D3800, D3800-50

EBCO® MANUFACTURING COMPANY

265 N Hamilton Rd • PO Box 13150 • Columbus, OH 43213-0150 • 614/861-1350 • Cable EBCO • Telex 246637