

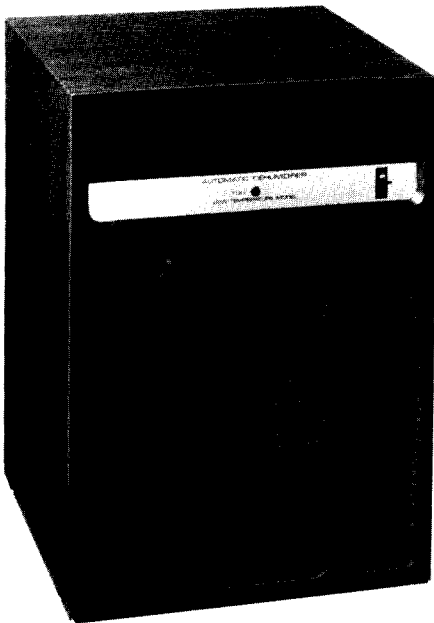
SERVICE INSTRUCTIONS

...with Illustrated Parts Breakdown

EBCO®

DEHUMIDIFIER MODELS:

D1500-2	D1600-P	D2700-P	D3200-P
D1500-2-P	D1600L-P	D2700L-P	D3200L-P
D1600-1	D2200-P	D2700L-1-P	
D1600-1-P	D2200L-P		



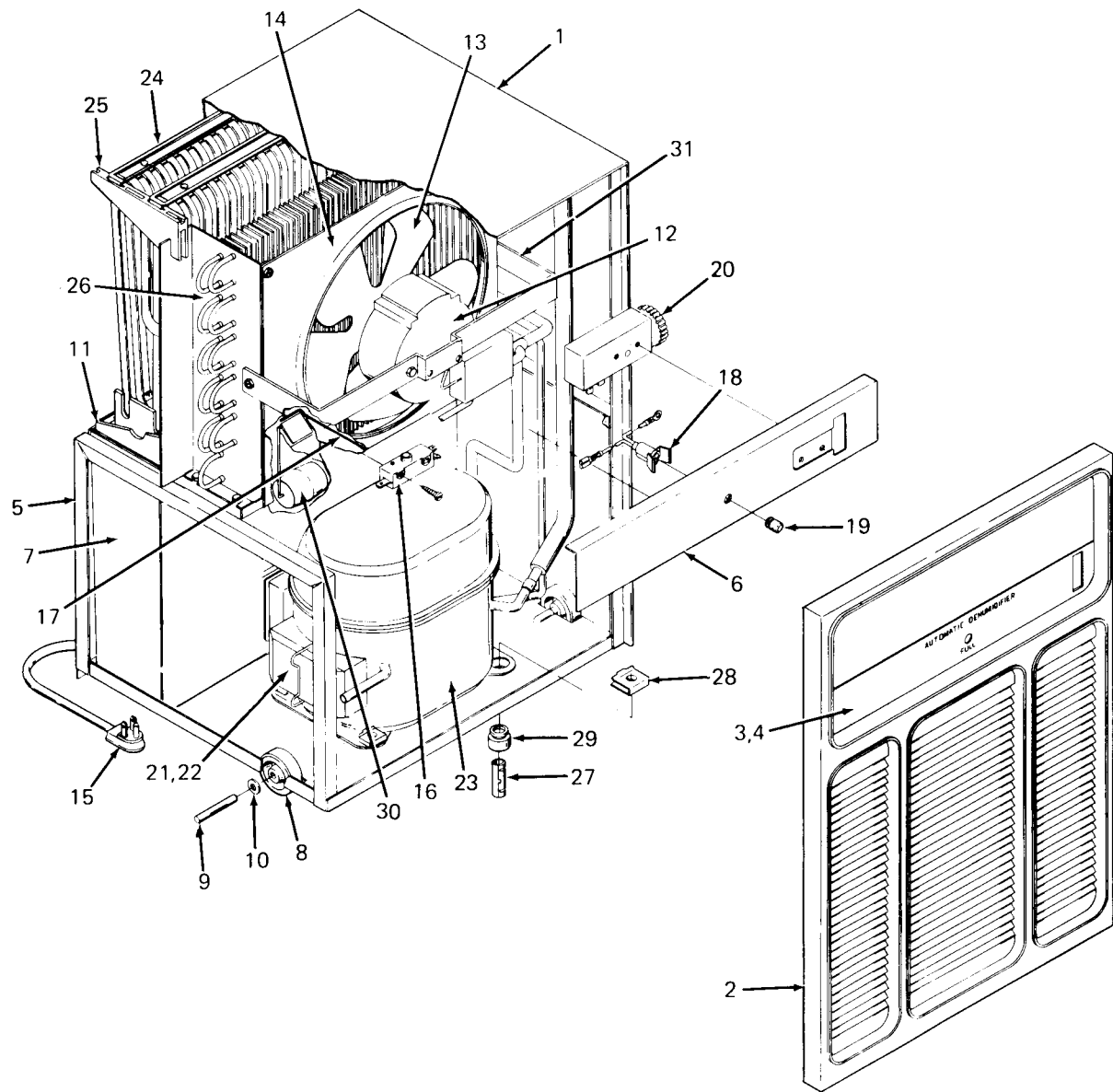
DESCRIPTION

Dehumidifiers are used to prevent moisture damage in basements, laundry rooms and any other enclosed areas in your home. These units plug into standard wall outlets and have a sealed refrigeration system with a quiet running fan.

SPECIFICATIONS

Voltage	115 VAC ±10%/1PH/60 Hertz
Size	21-3/4" H., 15" W., 14-1/4" D.
Shipping Weight (Approx)	50-60 LBS.

Models:	D1500 D1600	D2200	D2700	D3200
Capacity, Pint	16	22	27	32
Compressor, HP	1/6	1/5	1/5	1/4
Amps	3.4	3.9	4.7	5.6
Ref. Charge, OZ./R-500	5.5	9.3	7.9	8.5
Oil Charge, OZ.	10	12	12	12



PARTS LIST

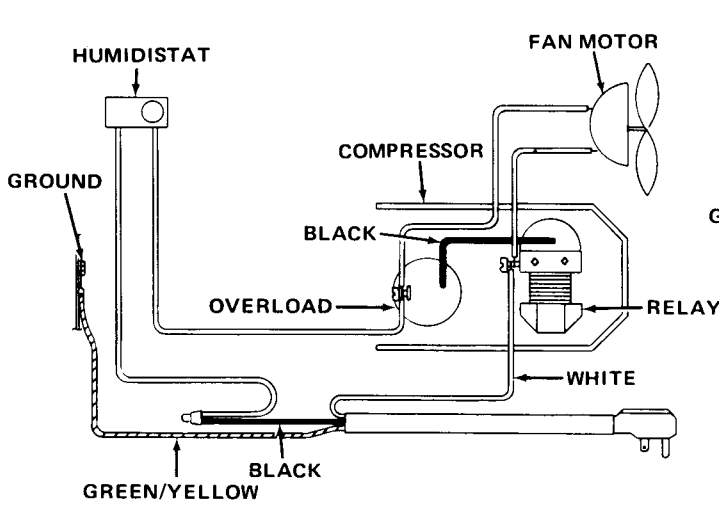
ITEM NO.	DESCRIPTION	D1500-2	D1600-P	D2200-P	D2700-P	D3200-P
		D1500-2-P	D1600-1	D2200-L-P	D2700-L-P	D3200-L-P
		D1600-1-P	D1600L-P	D2200L-P	D2700L-1-P	D3200L-P
1	Cabinet Wrapper	021989	021962	021962	021962	021962
2	Grille – Brown	022020-002	022020-002	022020-002	022020-002	022020-002
3	Oasis Trimplate	---	025896	022063	022064	022065
	Oasis Trimplate (L Models)	---	027391-001	027392-001	025800	027393-001
	Oasis Trimplate (D1500 Models)	026613	---	---	---	---
	Oasis Trimplate (D1600-1 Models)	022062	---	---	---	---
4	Aquarius Trimplate	---	026990	022068	022069	022070
	Aquarius Trimplate (L Models)	---	027394-001	027395-001	025801	027396-001
	Aquarius Trimplate (D1500 Models)	026614	---	---	---	---
	Aquarius Trimplate (D1600-1 Models)	022067	---	---	---	---
5	Frame Assembly	022609	022609	022609	022609	022609
6	Support Bracket Assembly	022479	022479	022479	022479	022479
7	Receptor	---	022018	022018	022018	022018
8	Wheel	017278	017278	017278	017278	017278
9	Plated Axle	017277	017277	017277	017277	017277
10	Flat Washer	016377	016377	016377	016377	016377
11	Drip Tray	022600	022600	022600	022600	022600
12	Fan Motor (Tecumseh)	027354-008	---	---	---	---
	Fan Motor (Panasonic)	027354-013	027354-013	027354-013	027354-013	027354-013
13	Fan Blade	022628	022628	022628	022628	022628
14	Fan Shroud	022612	022612	022612	022612	022612
15	Service Cord (Tecumseh)	026540-008	---	---	---	---
	Service Cord (Panasonic)	026540-007	026540-007	026540-007	026540-007	026540-007
16	Overflow Switch	---	017699	017699	017699	017699
17	Switch Lever	---	022128	022128	022128	022128
18	Pilot Light	---	022502	022502	022502	022502
19	Pilot Light Lens	---	022501	022501	022501	022501
20	Humidistat	021977	021977	021977	021977	021977
21	Relay (Tecumseh)	017289	---	---	---	---
	Relay (Panasonic)	025335-004	025335-004	025335-002	025335-003	025335-005
22	Overload (Tecumseh)	017290	---	---	---	---
	Overload (Panasonic)	026178	026178	025821	025824	026185
23	Compressor (Tecumseh)	017287	---	---	---	---
	Compressor (Panasonic)	026176	026176	025823	025826	026186
24	Evaporator Assembly (Tecumseh) .	022672-001	---	---	---	---
	Evaporator Assembly (Panasonic) .	026175-001	026175-001	025875-004	025875-003	025875-003
25	Evaporator Top Support	022599	022599	022599	022599	022599
26	Condenser Assembly	022596	022596	025843	025843	025843
27	Compressor Mounting Stud	020487	020487	020487	020487	020487
28	Spring Clip	020486	020486	020486	020486	020486
29	Compressor Grommet	018566	018566	018566	018566	018566
30	Float Assembly	---	022459	022459	022459	022459
31	Fan Motor Bracket	022625	022625	022625	022625	022625
NOT SHOWN						
	Defrost Control	---	027359-002	027359-002	027359-002	027359-002
	Insulation for Defrost Control	---	022443	022443	022443	022443
	Strain Relief Bushing	017563	017563	017563	017563	017563
	Humidistat Knob	022027	022027	022027	22027	022027

ELECTRICAL DIAGRAM

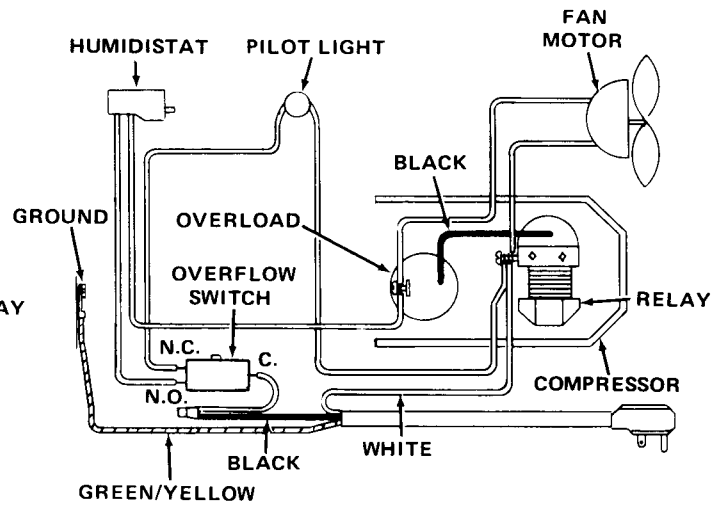
IF FROST OR ICE FORMS ON THE COILS OF YOUR DEHUMIDIFIER, THE TEMPERATURE AND HUMIDITY ARE TOO LOW, SHUT OFF THE DEHUMIDIFIER UNTIL THESE CONDITIONS ARE HIGHER.

WHEN YOUR HEATING SYSTEM IS IN USE, IT NORMALLY LOWERS THE HUMIDITY AND FURTHER DEHUMIDIFICATION IS UNNECESSARY.

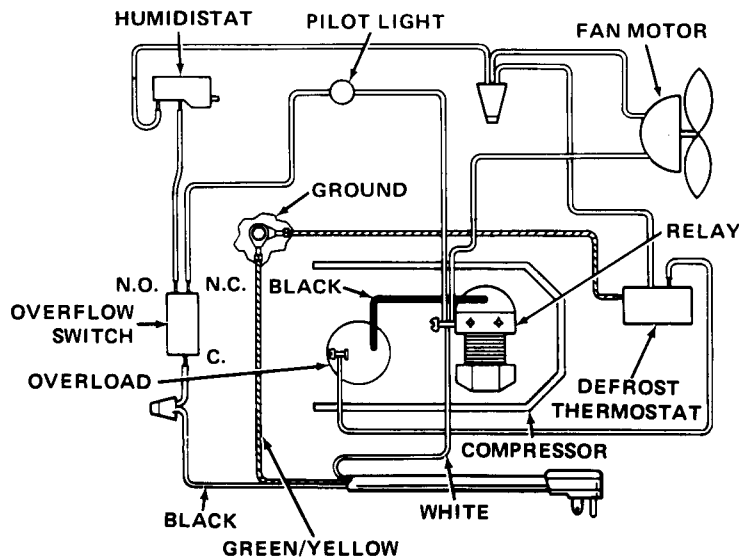
TO INSPECT UNIT, REMOVE TWO SCREWS ON EACH SIDE OF CABINET, AND LIFT OFF. IF THE FAN MOTOR IS EQUIPPED WITH OIL HOLES, LUBRICATE ONCE EACH YEAR WITH SAE #10 OIL.



D1500-2, D1500-2-P, D1600-1, D1600-1-P



D1600-P, D2200-P, D2700-P, D3200-P



D1600L-P, D2200L-P, D2700L-P, D2700L-1-P, D3200L-P

EBCO® MANUFACTURING COMPANY

265 N. Hamilton Rd. • P.O. Box 13150 • Columbus, OH 43213-0150 • 614/861-1350 • Cable: EBCO • Telex: 246637