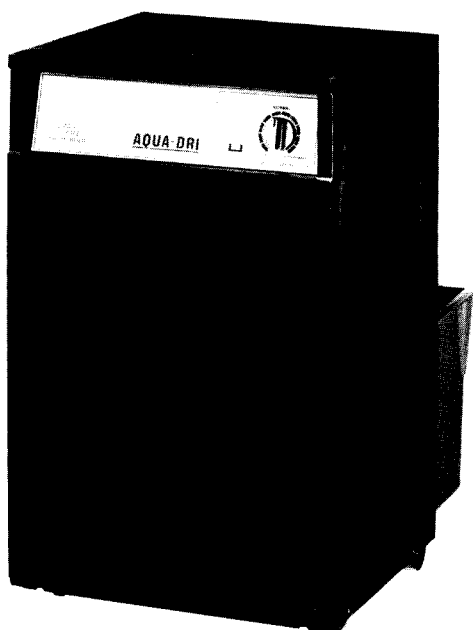


SERVICE INSTRUCTIONS

...with Illustrated Parts Breakdown

EBCO[®]

**DEHUMIDIFIER MODEL:
AQUA-DRI
40A**



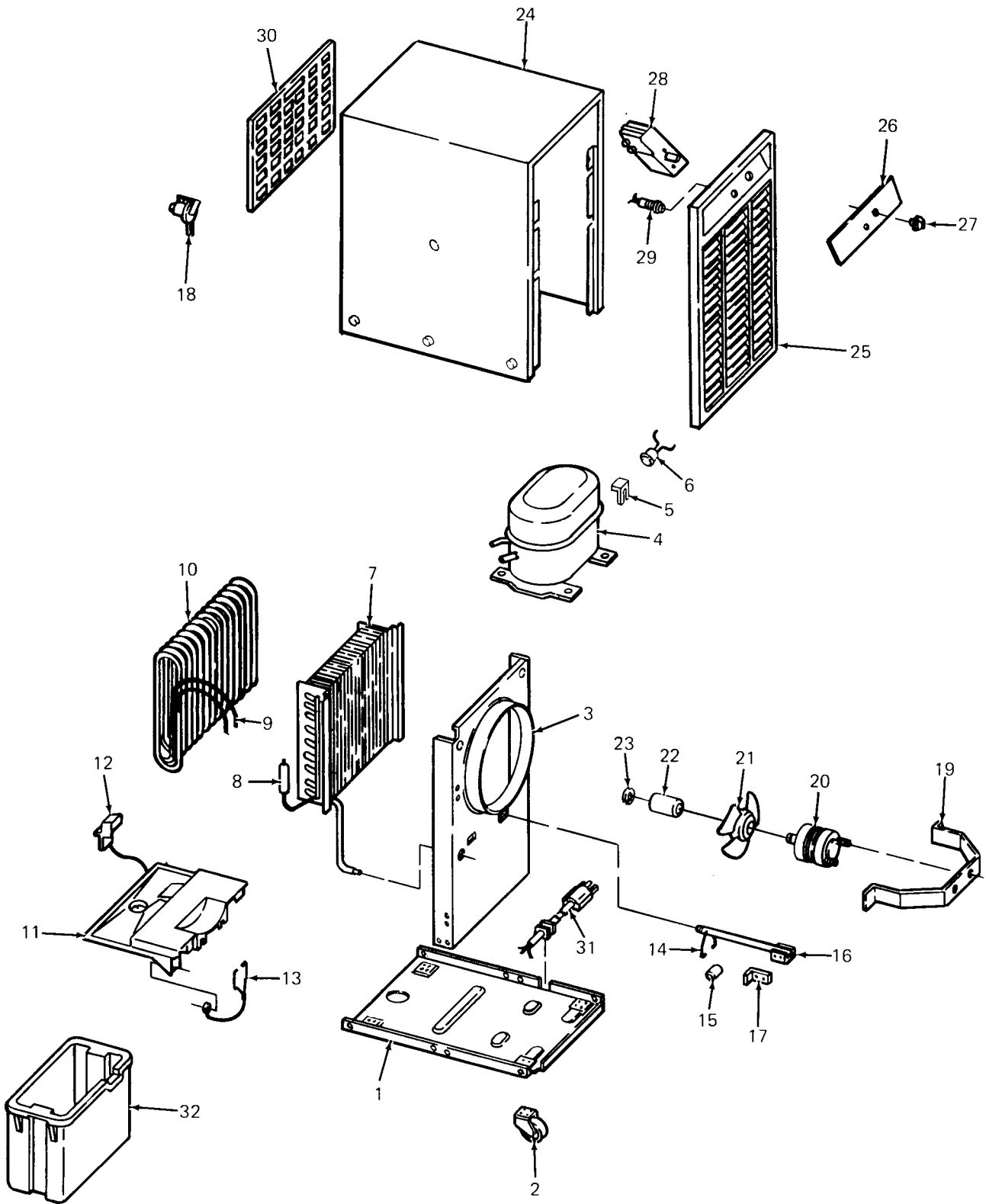
DESCRIPTION

Dehumidifiers are used to prevent moisture damage in basements, laundry rooms and any other enclosed areas in your home. These units plug into standard wall outlets and have a sealed refrigeration system with a quiet running fan.

SPECIFICATIONS

Voltage	115 VAC \pm 10%/1PH/60 Hertz
Size	21" H., 13" W., 18" D.
Shipping Weight (Approx)	54 LBS.

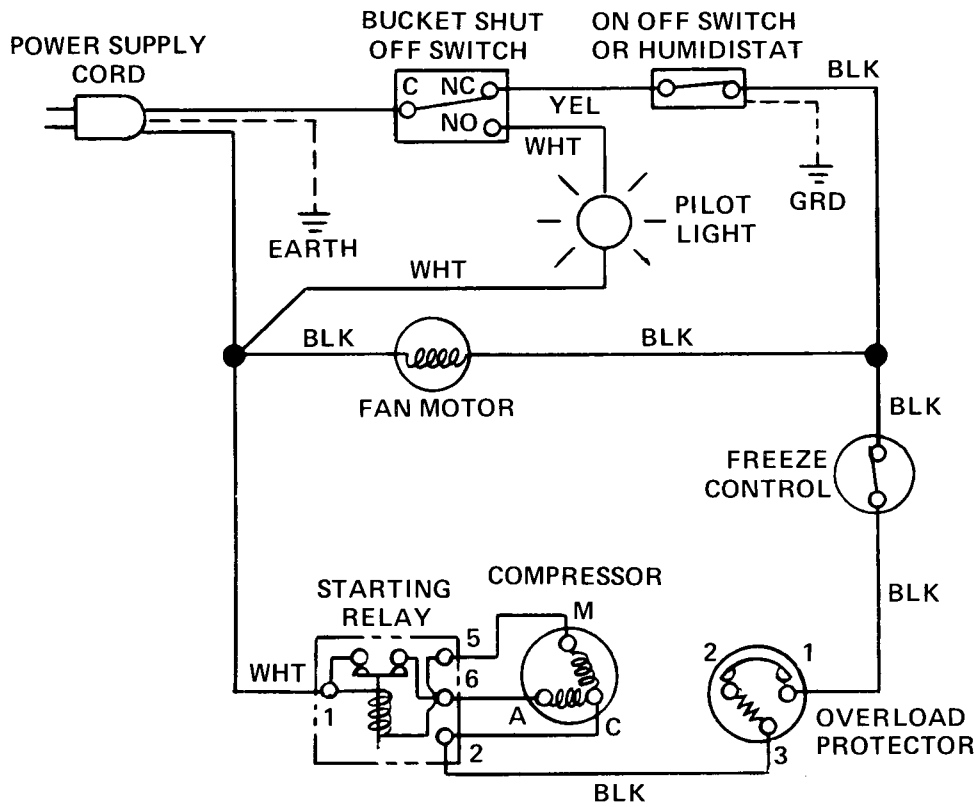
Model:	40A
Capacity, Pint	40
Compressor, HP	1/3
Amps	6.6
Ref. Charge, OZ./R-12	12-1/2
Oil Charge, OZ.	10



PARTS LIST

ITEM NO.	DESCRIPTION	40A
1	Base	400670
2	Caster	400625
3	Support Column	400671
4	Compressor (See Below)	
5	Relay (Samsung)	400610
6	Overload (Samsung)	400607
7	Condenser	400622
8	Strainer	400679
9	Capillary Tube	400680
10	Evaporator	400621
11	Evaporator Drain	400683
12	Float Handle	400684
13	Float Wire B	400685
14	Float Wire A	400686
15	Float	400687
16	Overflow Switch	400688
17	Switch Bracket	400689
18	Defrost Control	400691
19	Fan Motor Bracket	400692
20	Fan Motor	400693
21	Fan Blade	400623
22	Ring Clip	400662
23	E Ring	400667
24	Cabinet	400694
25	Front Grille	400631
26	Grille Inlay	400638
27	Humidistat Knob	400633
28	Humidistat	400611
29	Pilot Light	400601
30	Back Grille	400632
31	Service Cord	400695
32	Bucket	400696
Replacement Compressor		
Tecumseh Compressor (Includes Relay and Overload)		
	Compressor	027495-005
	Relay	019434
	Overload	019603
	Refrigerant Charge	12-1/2 OZ
	Refrigerant	R-12

ELECTRICAL DIAGRAM



EBCO® **MANUFACTURING COMPANY**

265 N. Hamilton Rd. • P.O. Box 13150 • Columbus, OH 43213-0150 • 614/861-1350 • Cable: EBCO • Telex: 246637