

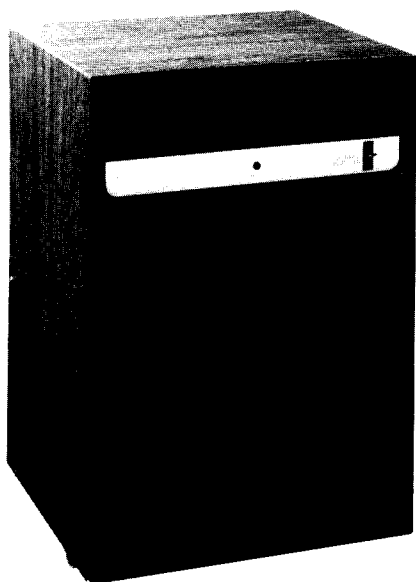
SERVICE INSTRUCTIONS

...with Illustrated Parts Breakdown

EBCO®

DEHUMIDIFIER MODELS:

**D-20L-P, D-25L-P,
D-30L-P, D-35L-P**



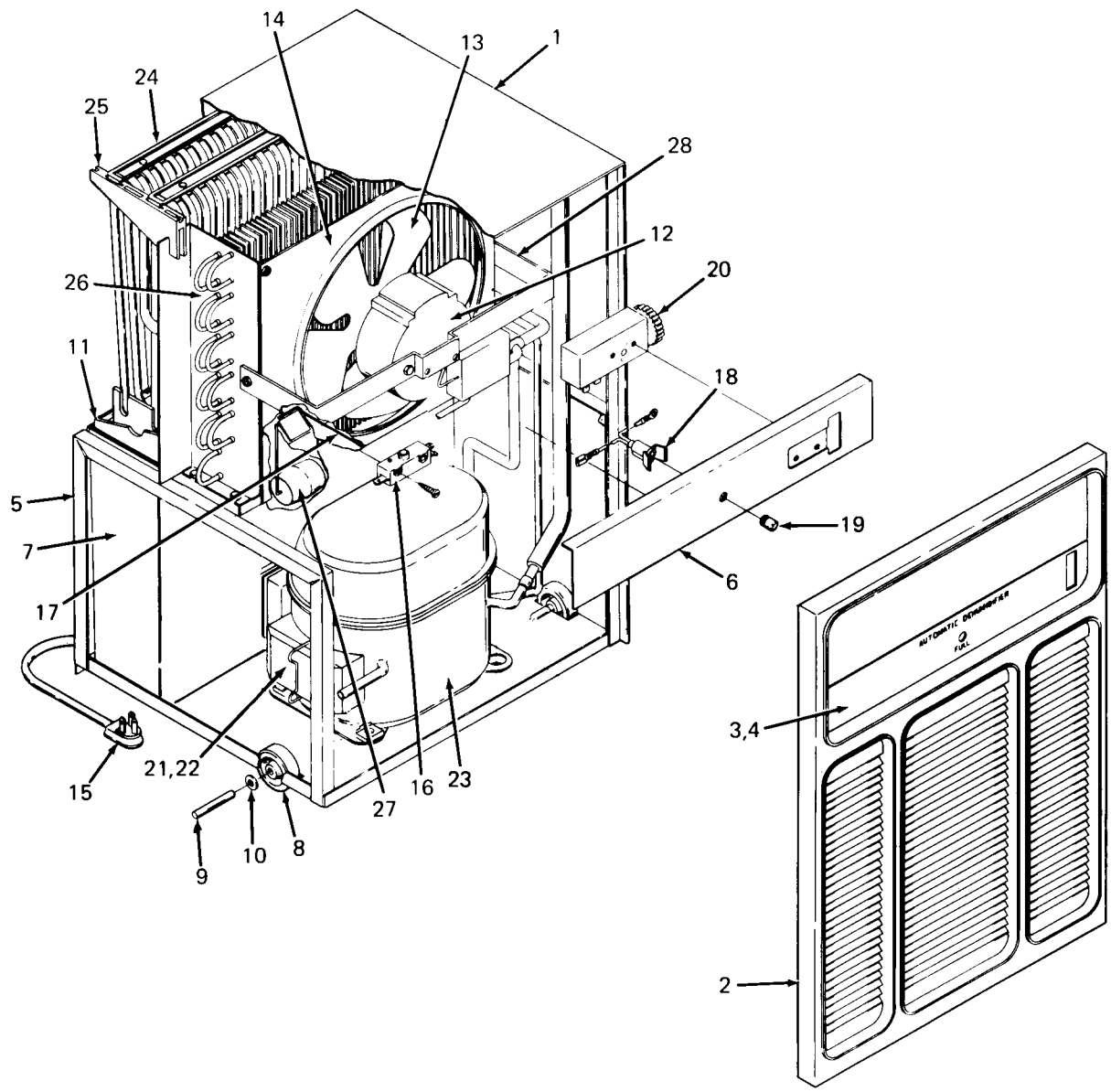
DESCRIPTION

Dehumidifiers are used to prevent moisture damage in basements, laundry rooms and any other enclosed areas in your home. These units plug into standard wall outlets and have a sealed refrigeration system with a quiet running fan.

SPECIFICATIONS

Voltage	115 VAC ±10%/1PH/60 Hertz
Size	21-3/4" H., 15" W., 14-1/4" D.
Shipping Weight (Approx)	50-60 LBS.

Models:	D-20L-P	D-25L-P	D-30L-P	D-35L-P
Capacity, Pint	20	25	30	35
Compressor, HP	1/6	1/5	1/5	1/4
Amps	3.4	3.9	4.7	5.3
Ref. Charge, OZ./R-500	6.3	9.3	7.5	8.5
Oil Charge, OZ.	10	12	12	12



PARTS LIST

ITEM NO.	DESCRIPTION	D-20L-P	D-25L-P	D-30L-P	D-35L-P
1	Cabinet Wrapper	021962	021962	021962	021962
2	Grille – Brown	022020-002	022020-002	022020-002	022020-002
3	Trimplate – Oasis	028544-001	028545-001	028546-001	028547-001
4	Trimplate – Aquarius	028550-001	028551-001	028552-001	028553-001
5	Frame Assembly	022609	022609	022609	022609
6	Support Bracket Assembly	022479	022479	022479	022479
7	Receptor	022018	022018	022018	022018
8	Wheel	017278	017278	017278	017278
9	Plated Axle	017277	017277	017277	017277
10	Flat Washer	016377	016377	016377	016377
11	Drip Tray	022600	022600	022600	022600
12	Fan Motor	027354-003	027354-003	027354-002	027354-002
13	Fan Blade	022628	022628	022059	022059
14	Fan Shroud	022612	022612	022612	022612
15	Service Cord	026540-008	026540-008	026540-008	026540-008
16	Overflow Switch	017699	017699	017699	017699
17	Switch Lever	022128	022128	022128	022128
18	Pilot Light	022502	022502	022502	022502
19	Pilot Light Lens	022501	022501	022501	022501
20	Humidistat	021977	021977	021977	021977
21	Relay	025335-004	025335-002	025335-003	025335-005
22	Overload	026178	025821	025824	026185
23	Compressor (Includes Items 21 and 22)	026176	025823	025826	026186
24	Evaporator Assembly	026175-002	025875-007	025875-005	025875-006
25	Evaporator Top Support	022599	022599	022599	022599
26	Condenser	028504-001	028503-001	028503-001	025843
27	Float Assembly	022459	022459	022459	022459
28	Fan Motor Bracket	022625	022625	022625	022625
NOT SHOWN					
	Defrost Control	028698-001	028698-001	028698-001	028698-001
	Compressor Grommet	018566	018566	018566	018566
	Compressor Cotter Pin	026996	026996	026996	026996
	Compressor Flat Washer	027484-001	027484-001	027484-001	027484-001

ELECTRICAL DIAGRAM

IF FROST OR ICE FORMS ON THE COILS OF YOUR DEHUMIDIFIER, THE TEMPERATURE AND HUMIDITY ARE TOO LOW. SHUT OFF THE DEHUMIDIFIER UNTIL THESE CONDITIONS ARE HIGHER.

WHEN YOUR HEATING SYSTEM IS IN USE, IT NORMALLY LOWERS THE HUMIDITY AND FURTHER DEHUMIDIFICATION IS UNNECESSARY.

