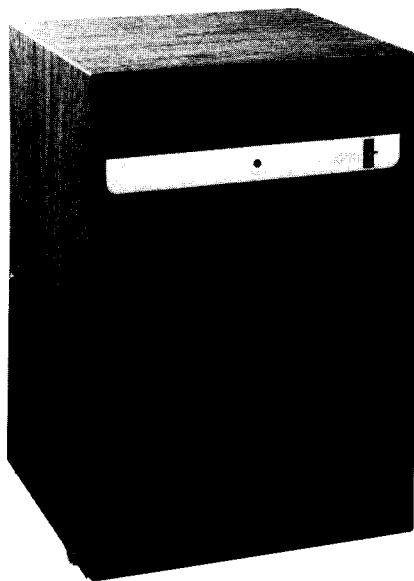


SERVICE INSTRUCTIONS

... with Illustrated Parts Breakdown

DEHUMIDIFIER MODELS:

D-40L D-40L-P D-50L



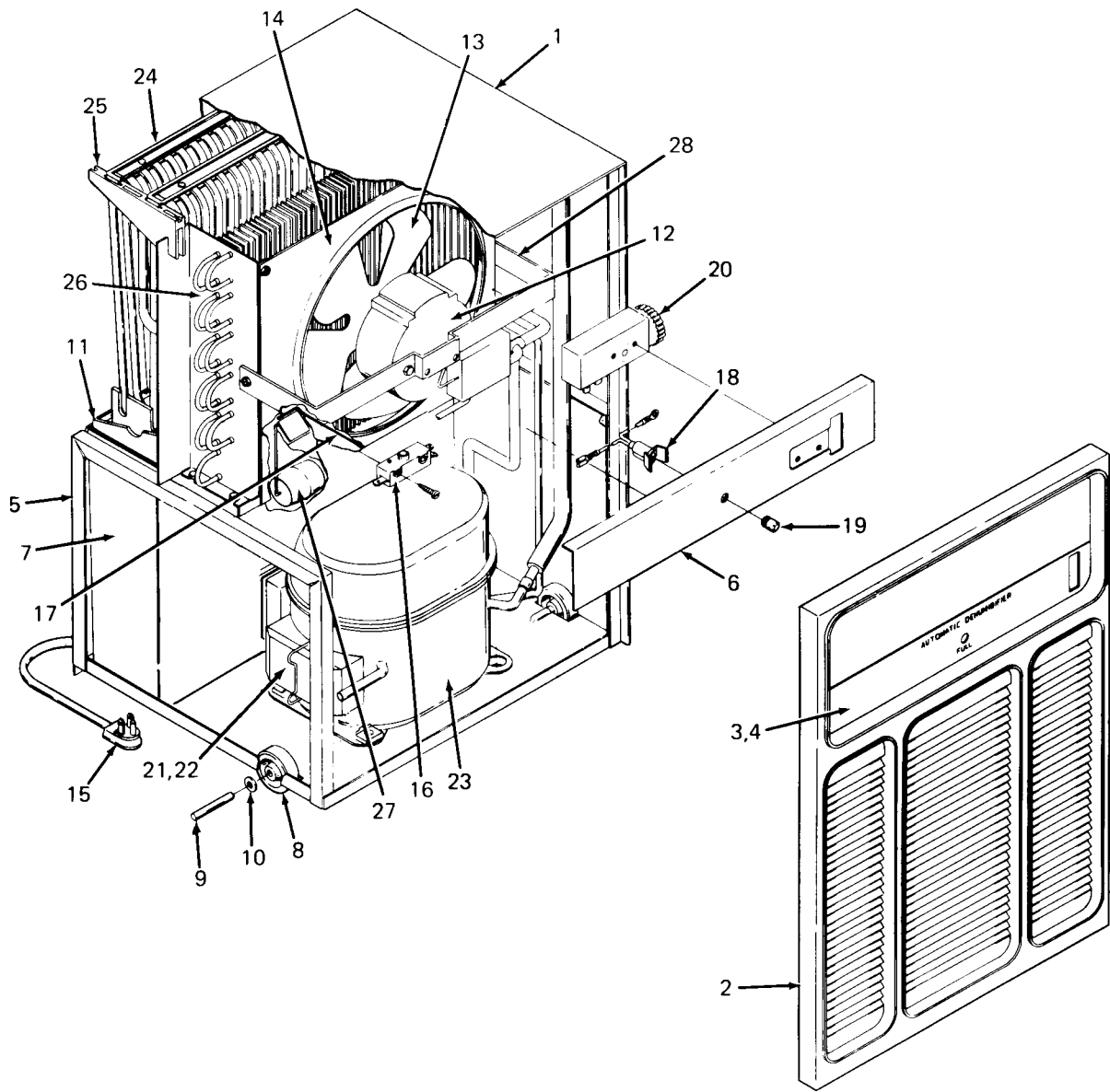
DESCRIPTION

Dehumidifiers are used to prevent moisture damage in basements, laundry rooms and any other enclosed areas in your home. These units plug into standard wall outlets and have a sealed refrigeration system with a quiet running fan.

SPECIFICATIONS

Voltage	115 VAC \pm 10%/1PH/60 Hertz
Size	21 $\frac{3}{4}$ " H., 15" W., 14 $\frac{1}{4}$ " D.
Shipping Weight (Approx)	50-60 LBS.

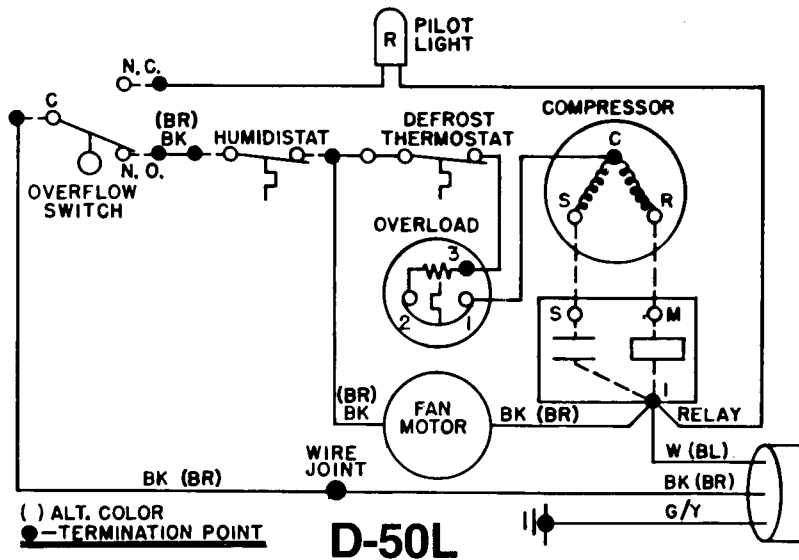
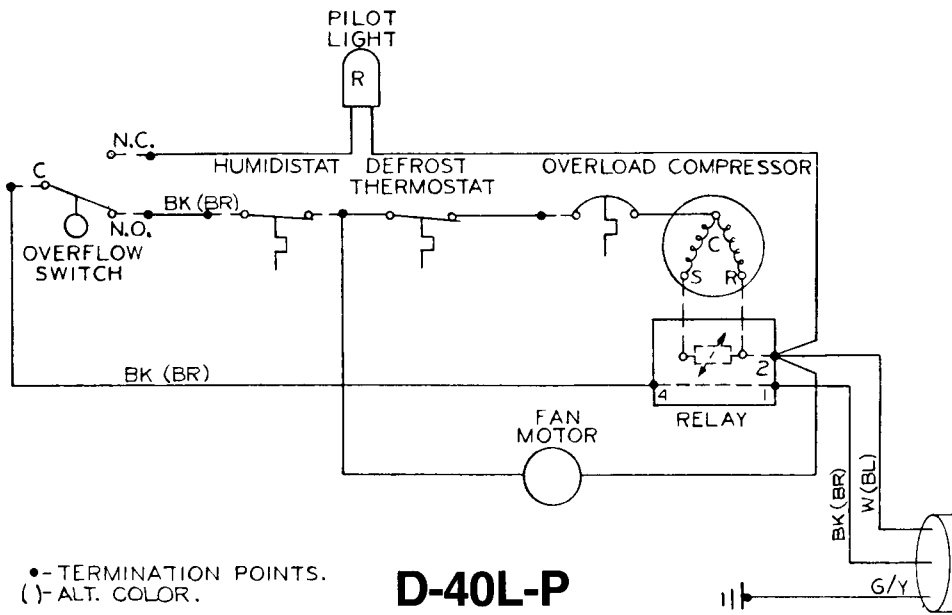
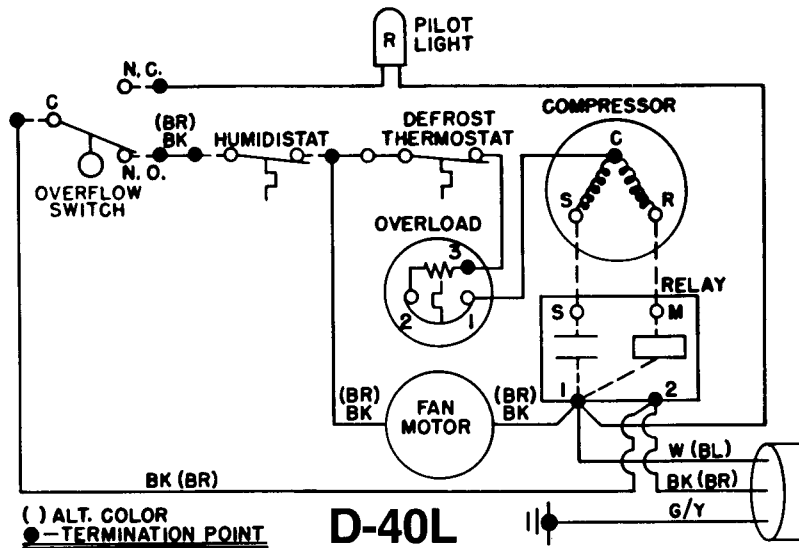
Models:	D-40L	D-40L-P	D-50L
Capacity, Pint	40	40	50
Compressor, HP	1/3	1/3	1/2
Amps	7.1	7.1	8.0
Ref. Charge, OZ./R-500	7.9	9.3	11.5
Oil Charge, OZ.	10	8.5	10



PARTS LIST

ITEM NO.	DESCRIPTION	D-40L	D-40L-P	D-50L
1	Cabinet Wrapper	021962	021962	021962
2	Grille – Brown	022020-002	022020-002	022020-002
3	Trimplate – Oasis	028548-001	028548-001	028549-001
4	Trimplate – Aquarius	028554-001	028554-001	028555-001
5	Frame Assembly	022609	022609	022609
6	Support Bracket Assembly	022479	022479	022479
7	Receptor	022018	022018	022018
8	Wheel.....	017278	017278	017278
9	Plated Axle	017277	017277	017277
10	Flat Washer	016377	016377	016377
11	Drip Tray	022600	022600	022600
12	Fan Motor	027354-002	027354-002	027354-022
13	Fan Blade.....	022059	022059	022059
14	Fan Shroud.....	022612	022612	022612
15	Service Cord.....	026540-008	026540-008	026540-027
16	Overflow Switch	017699	017699	017699
17	Switch Lever.....	022128	022128	022128
18	Pilot Light	022502	022502	022502
19	Pilot Light Lens	022501	022501	022501
20	Humidistat.....	021977	021977	021977
21	Relay.....	019434	028028-002	028628-001
22	Overload.....	019603	029497-001	027268-003
23	Compressor (Includes Items 21 and 22)	027495-005	029495-001	027495-019
24	Evaporator Assembly	022638-003	022638-003	028631-001
25	Evaporator Top Support.....	022599	022599	022599
26	Condenser.....	028463-001	028463-001	028463-001
27	Float Assembly	022459	022459	022459
28	Fan Motor Bracket.....	022625	022625	022625
NOT SHOWN				
	Defrost Control.....	028698-001	028698-001	028698-001
	Compressor Grommet	018566	018566	018566
	Compressor Cotter Pin	026996	026996	026996
	Compressor Flat Washer	027484-001	027484-001	027484-001
	Air Deflector	---	---	028632-001

ELECTRICAL DIAGRAM



EBCO® MANUFACTURING COMPANY

265 N. Hamilton Rd. • P.O. Box 13150 • Columbus, OH 43213-0150 • 614/861-1350 • Cable: EBCO • Fax: 614/861-5017