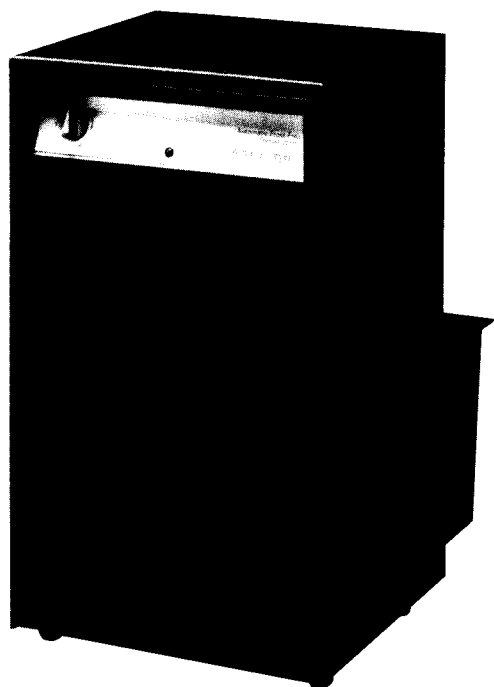


SERVICE INSTRUCTIONS

...with Illustrated Parts Breakdown

EBCO®

DEHUMIDIFIER MODELS: AQUA-DRI 25A-2, 30A-1



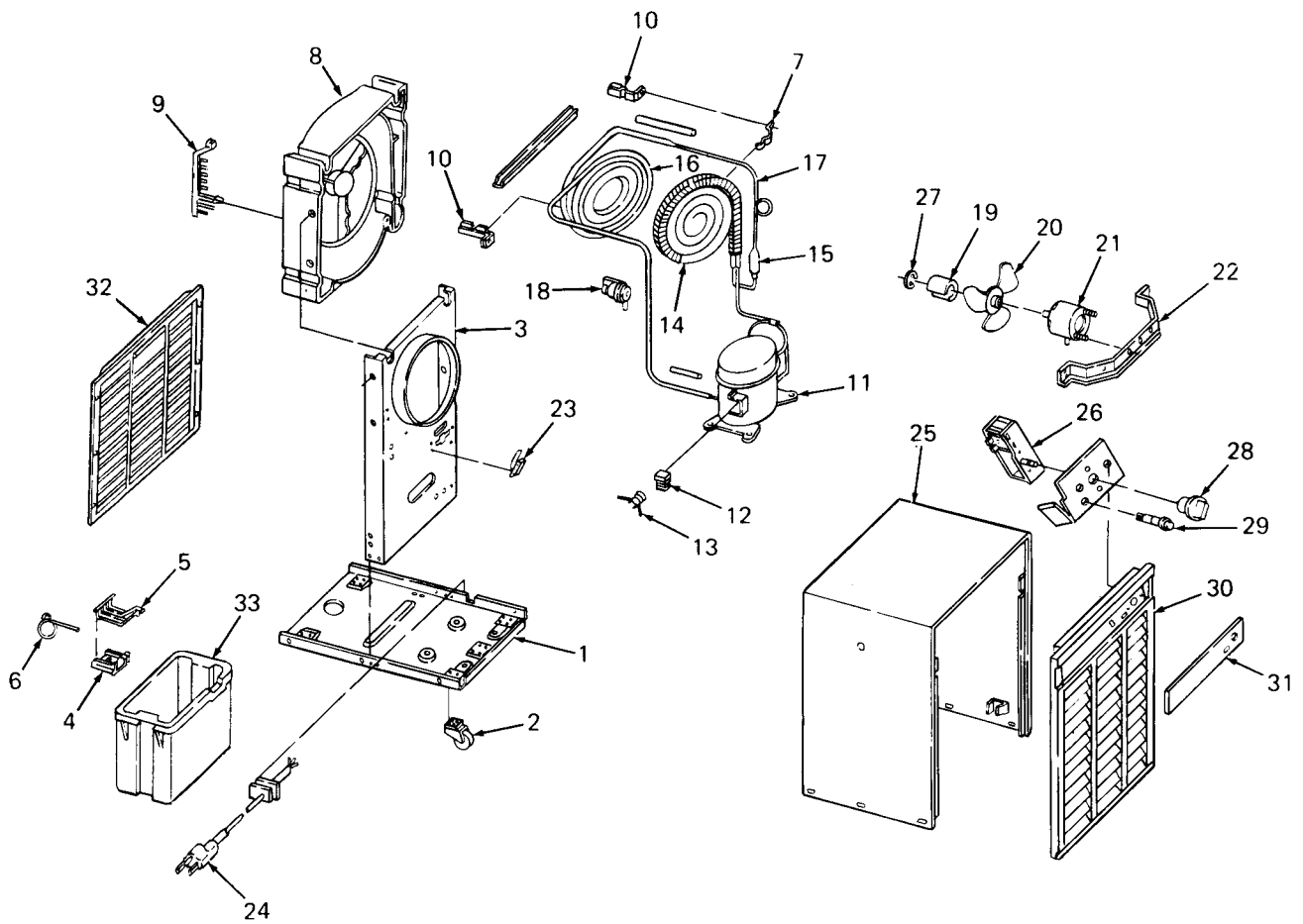
DESCRIPTION

Dehumidifiers are used to prevent moisture damage in basements, laundry rooms and any other enclosed areas in your home. These units plug into standard wall outlets and have a sealed refrigeration system with a quiet running fan.

SPECIFICATIONS

Voltage	115 VAC \pm 10%/1PH/60 Hertz
Size	21" H., 13" W., 17" D.
Shipping Weight (Approx)	47 LBS.

Models:	25A-2	30A-1
Capacity, Pint	25	30
Compressor, HP	1/5	1/4
Amps	5.0	5.5
Ref. Charge, OZ./R-12	11-1/2	9-5/8
Oil Charge, OZ.	10	10



PARTS LIST

ITEM NO.	DESCRIPTION	25A-2	30A-1
1	Base	400720	400720
2	Caster	400625	400625
3	Support Column	400721	400721
4	Overflow Switch Lever	400739	400739
5	Guide Lever	400738	400738
6	Float	400740	400740
7	Condenser Bracket	400727	400727
8	Evaporator Casing	400732	400732
9	Evaporator Grommet	400743	400733
10	Evaporator Bracket	400730	400730
11	Compressor (See Below)		
12	Relay (Samsung)	400609	400609
13	Overload (Samsung)	400605	400606
14	Condenser Assembly	400728	400728
15	Strainer	400615	400615
16	Evaporator Assembly	400729	400729
17	Capillary Tube	400614	400614
18	Defrost Control	400669	400669
19	Ring Clip	400662	400662
20	Fan Blade	400623	400623
21	Fan Motor	400734	400734
22	Fan Motor Bracket	400735	400735
23	Overflow Shut Off Switch	400723	400723
24	Service Cord	400731	400731
25	Cabinet	400724	400724
26	Humidistat	400725	400725
27	E Ring	400667	400667
28	Humidistat Knob	400726	400726
29	Pilot Light	400601	400601
30	Front Grille	400736	400736
31	Grille Inlay	400635	400637
32	Rear Grille	400741	400741
33	Bucket	400737	400737
*	Pilot Light Lens	400742	400742

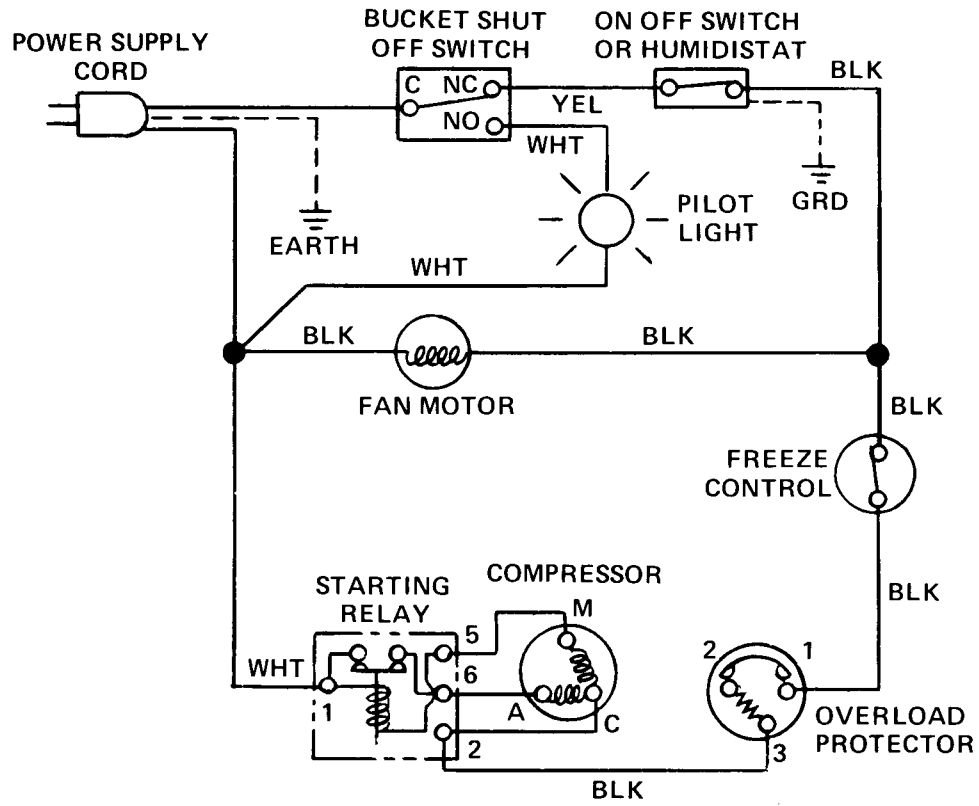
Replacement Compressor

Tecumseh Compressor (Includes Relay and Overload)

Compressor	027256-002	027495-007
Relay	017978	018461
Overload	017977	022456
Refrigerant Charge	11-1/2 OZ	9-5/8 OZ
Refrigerant	R-12	R-12

* No illustration of part on form

ELECTRICAL DIAGRAM



EBCO[®] MANUFACTURING COMPANY

265 N. Hamilton Rd. • P.O. Box 13150 • Columbus, OH 43213-0150 • 614/861-1350 • Fax 614/861-5017