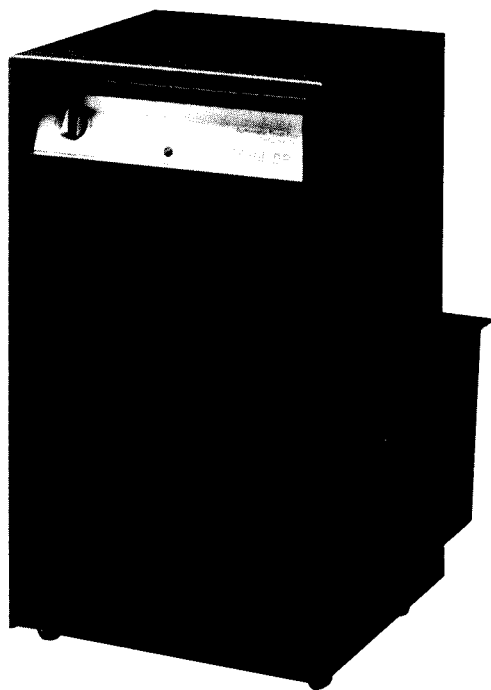


SERVICE INSTRUCTIONS

...with Illustrated Parts Breakdown

EBCO[®]

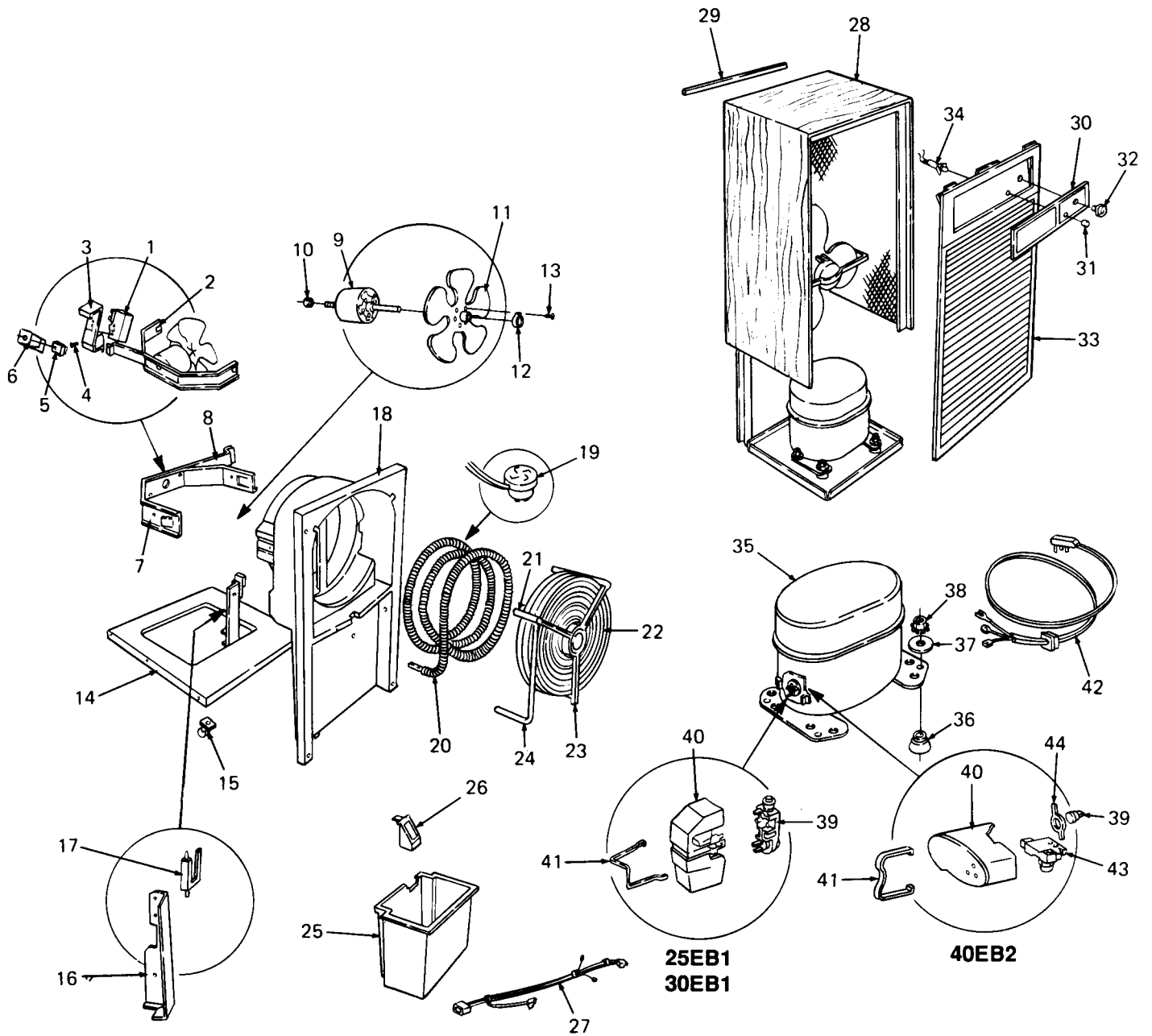
**DEHUMIDIFIER MODELS:
AQUA-DRI
25EB1, 30EB1, 40EB2**



SPECIFICATIONS

Voltage	115 VAC \pm 10%/1PH/60 Hertz
Size	22-1/2" H., 12-3/4" W., 11-1/2" D.
Shipping Weight (Approx)	48 LBS.

Models:	25EB1	30EB1	40EB2
Capacity, Pint	25	30	40
Amps	5.0	6.0	7.5
Ref. Charge, OZ./R-500	9.5	7.5	7.5
Oil Charge, OZ.	13	12	10.1



PARTS LIST

ITEM NO.	DESCRIPTION	25EB1	30EB1	40EB2
1	Humidistat	400900	400900	400900
2	Terminal Guard	400901	400901	400901
3	Bracket	400902	400902	400902
4	Screw	400903	400903	400903
5	Switch	400904	400904	400904
6	Bracket	400905	400905	400905
7	Motor Bracket	400906	400906	400906
8	Dampener Bracket	400907	400907	400907
9	Fan Motor	400908	400908	400908
10	Nut	400909	400909	400909
11	Fan Blade	400910	400910	400910
12	Clamp	400911	400911	400911
13	Screw	400912	400912	400912
14	Base w/Casters	400913	400913	400913
15	Caster (4 Required)	400914	400914	400914
16	Bracket	400915	400915	400915
17	Bucket Switch	400916	400916	400916
18	Shroud	400917	400917	400917
19	Defrost Thermostat	400918	400918	400918
20	Condenser	400919	400919	400920
21	Inner Evaporator Clamp	400921	400921	400921
22	Evaporator	400922	400922	400923
23	Outer Evaporator Clamp	400924	400924	400924
24	Capillary Tube 28"	400925	---	---
	Capillary Tube 25"	---	400926	---
	Capillary Tube 30"	---	---	400927
25	Bucket w/Float	400928	400928	400928
26	Float	400929	400929	400929
27	Wiring Harness	400930	400930	400930
28	Wrapper	400931	400931	400931
29	Trim	400932	400932	400932
30	Trimplate	400933	400934	400935
31	Lens - Amber	400936	400936	400936
32	Knob (2)	400937	400937	400937
33	Front Panel	400938	400938	400938
34	Light	400939	400939	400939

SEE PAGE 4 FOR COMPRESSORS AND SERVICE CORDS

COMPRESSORS AND SERVICE CORDS

USED ON MODEL 25EB1

35	Compressor	400940
36	Grommet	400942
37	Washer	400943
38	Nut	400944
39	Overload/Relay	400945
40	Cover	400947
41	Clamp	400948
42	Power Cord	400949

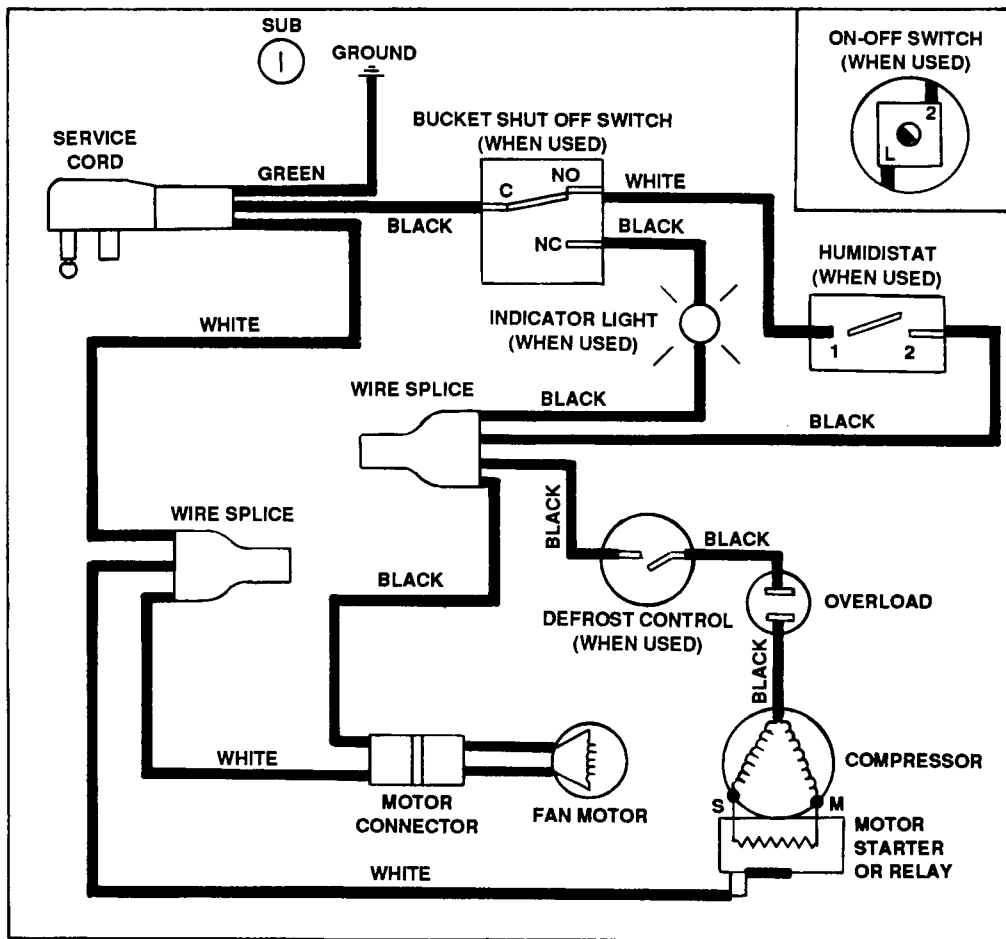
USED ON MODEL 30EB1

35	Compressor	400941
36	Grommet	400942
37	Washer	400943
38	Nut	400944
39	Overload/Relay	400946
40	Cover	400947
41	Clamp	400948
42	Power Cord	400949

USED ON MODEL 40EB2

35	Compressor	400950
36	Grommet	400951
37	Washer	400943
38	Nut	400944
39	Overload	400952
40	Cover	400954
41	Clamp	400955
42	Power Cord	400957
43	Relay	400953
44	Overload Clip	400956

ELECTRICAL DIAGRAM



EBCO® MANUFACTURING COMPANY

265 N. Hamilton Rd. • P.O. Box 13150 • Columbus, OH 43213-0150 • 614/861-1350 • Fax: 614/861-5017