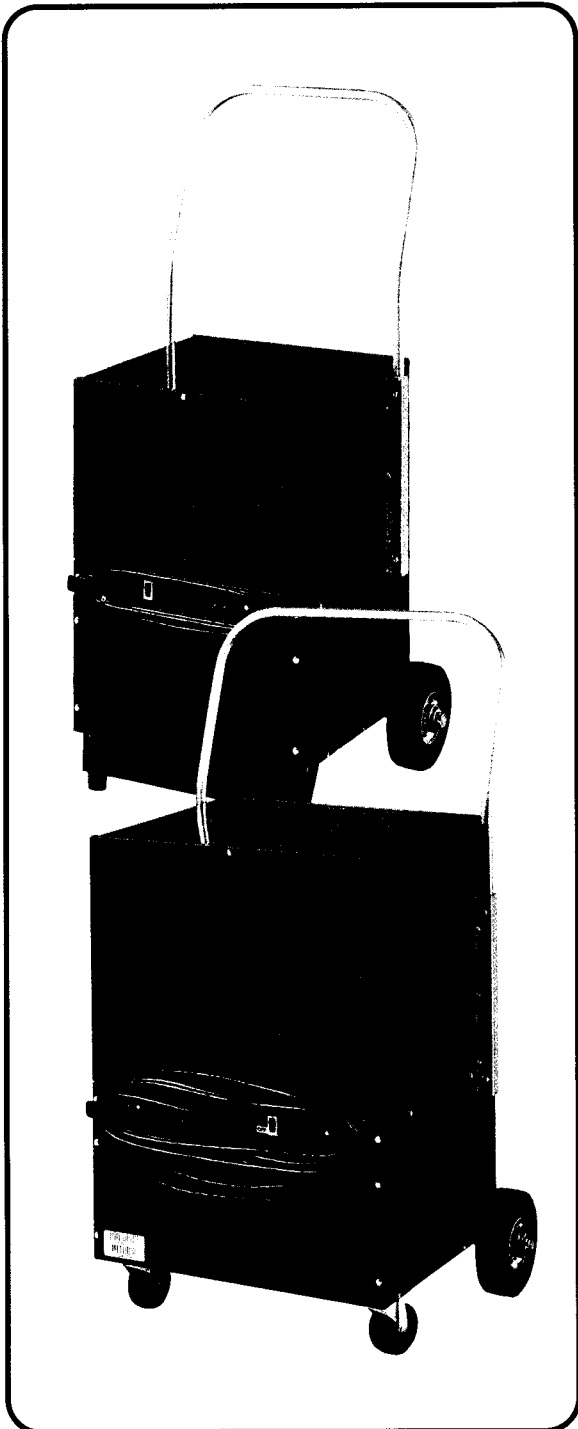




ILLUSTRATED PARTS BREAKDOWN

DEHUMIDIFIER MODELS: DC-45, DC-75



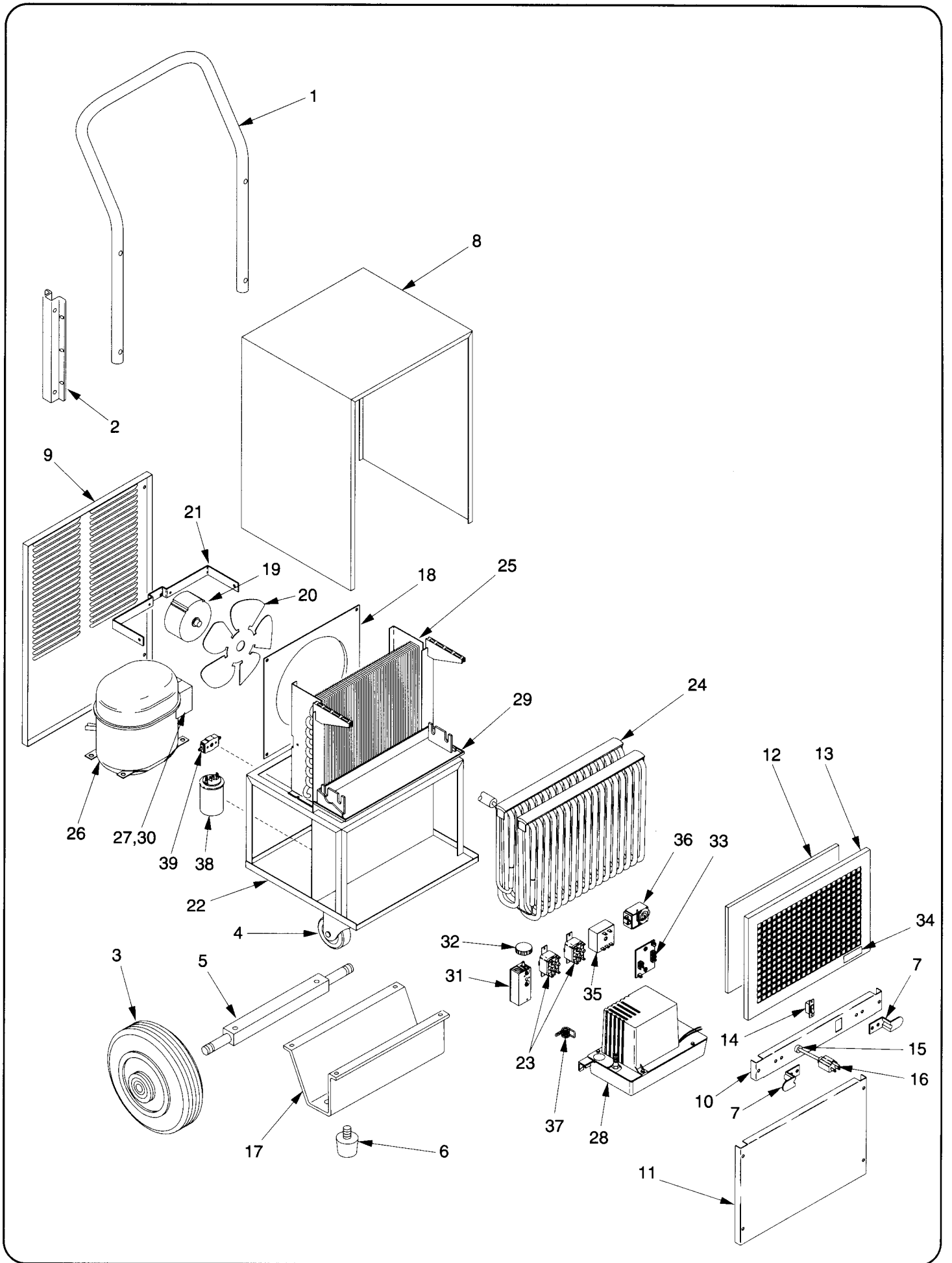
SPECIFICATIONS

MODEL: DC-45

Voltage	115 VAC \pm 10%/1PH/60 Hertz
Size	21-1/8" H., 15-1/4" W., 14-5/8" D.
w/ Handles and Wheels	40-5/8" H., 20-3/4" W., 18-1/4" D.
Shipping Weight (Approx)	88 LBS.
Capacity	45 Pints
Compressor	1/3 HP
Compressor (Full Load)	10.2 Amps
Refrigerant	R-500
Refrigerant Charge	11.5 OZ (326 grams)

MODEL: DC-75

Voltage	115 VAC \pm 10%/1PH/60 Hertz
Size	25-1/8" H., 19-1/4" W., 16-1/8" D.
w/ Handles and Wheels	40-7/8" H., 25" W., 19-5/8" D.
Shipping Weight (Approx)	128 LBS.
Capacity	75 Pints
Compressor	3/4 HP
Compressor (Full Load)	9.5 Amps
Refrigerant	R-22
Refrigerant Charge	21.0 OZ (595 grams)



PARTS LIST

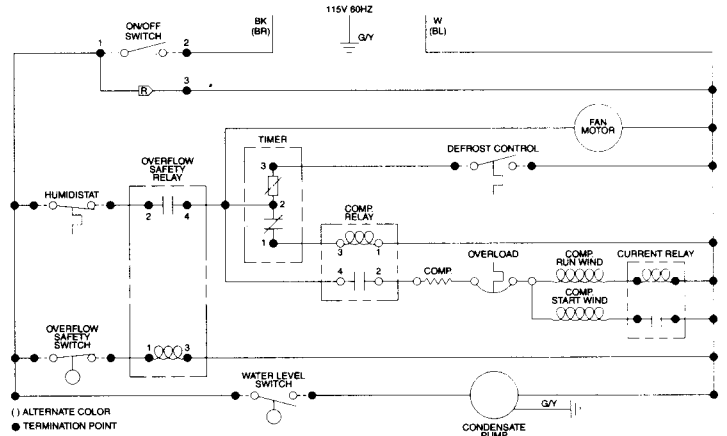
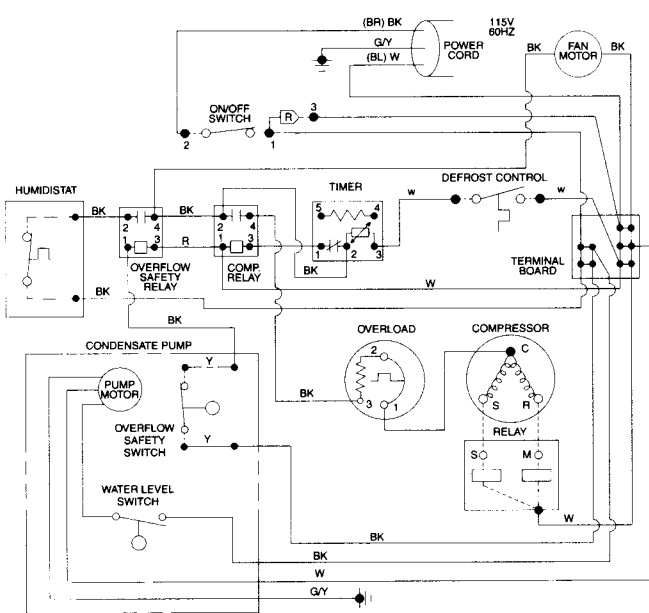
ITEM NO.	DESCRIPTION	DC-45	DC-75
1	Handle	030801-001	030320-001
2	Handle Support	030319-001	030319-001
3	Wheel	030462-001	030462-001
4	Castor, 3"		031461-001
5	Axle Assembly	030343-004	030343-005
6	Bumper	030180-001	
7	Power Cord Holder	030133-005	030133-005
8	Cabinet Assembly	030135-007	030135-008
9	Louvre Discharge Panel	030127-005	030127-006
10	Rear Fixed Panel	030131-005	030131-006
11	Rear Bottom Panel	030128-005	030128-006
12	Air Filter	030172-001	030172-002
13	Air Filter Frame Assembly	030134-005	030134-006
14	Switch, On-Off	027451-001	027451-001
15	Strain Relief Bushing	019008-001	019008-001
16	Service Cord	026540-032	026540-032
17	Bumper Stand	030803-004	
18	Shroud, Fan	022612	030304-001
19	Fan Motor	027354-022	030318-001
20	Fan Blade	022059	030317-001
21	Fan Motor Bracket	022625	030546-001
22	Frame Assembly	030194-003	030355-001
23	Relay	030181-001	030181-001
24	Evaporator	030218-001	030642-001
25	Condenser	028463-001	030270-001
26	Compressor Assembly	027495-019	030354-001
27	Relay, Compressor	030311-001	
28	Condensate, Pump Assembly	030177-001	030177-001
29	Drip Tray	022600	030309-002
30	Overload Compressor	027268-003	027268-004
31	Humidistat	021977	021977
32	Knob, Humidistat	022027	022027
33	Terminal Base	023265	023265
34	Nameplate, Oasis	020850	020850
35	Timer	030185-001	030185-001
36	Defrost, Control	027040-026	030669-001
37	Clamp, Hose	026516	026516
38	Capacitor, Run		030344-001
39	Start Assist, Compressor		030403-001

NOT SHOWN

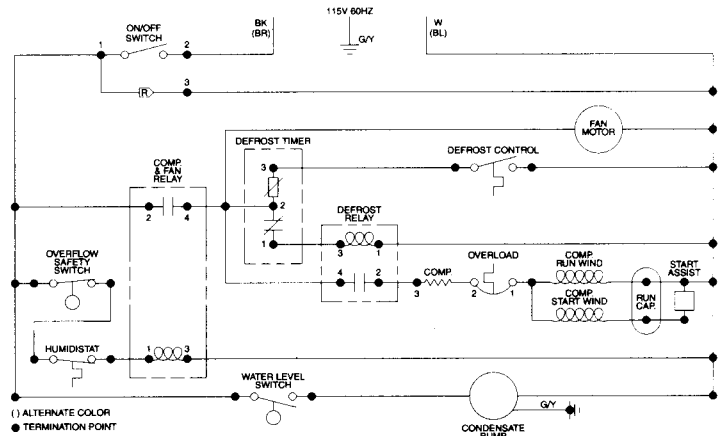
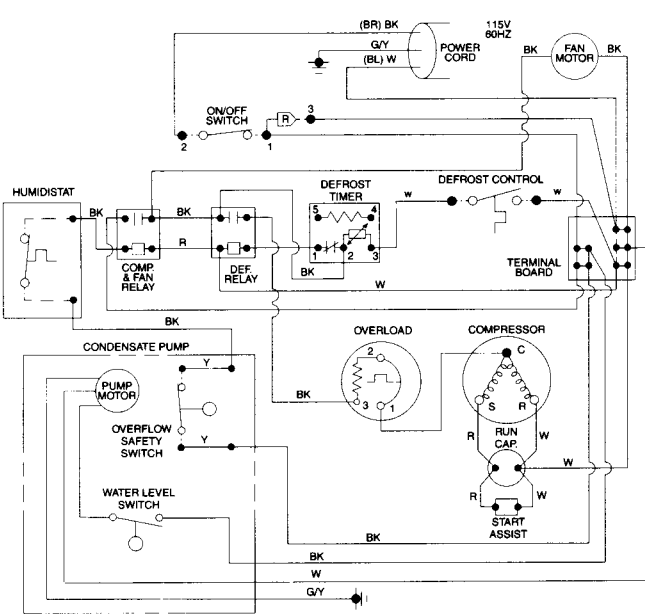
Shipping Carton	030208-004	030208-002
-----------------------	------------	------------

ELECTRICAL DIAGRAMS

DC-45



DC-75



NOTE: OPERATION OF DEFROST AND TIMER FOR DC-45 AND DC-75 DEHUMIDIFIERS

SHOULD THE LOAD TO THE EVAPORATOR DECREASE, FROSTING OF THE COIL MAY OCCUR. AT 27 DEGREES F COIL TEMPERATURE, THE DEFROST CONTROL CONTACTS WILL CLOSE AND START THE TIMER. AFTER ONE HOUR THE TIMER WILL OPEN THE CONTACTS TO THE COMPRESSOR RELAY. THE COMPRESSOR WILL STOP BUT THE FAN MOTOR WILL CONTINUE TO RUN. AS THE AIR IS DRAWN THROUGH THE COIL AND ITS TEMPERATURE INCREASES, IT WILL BECOME FREE OF FROST. AT 37 DEGREES F COIL TEMPERATURE, THE DEFROST CONTROL WILL OPEN AND ALLOW THE TIMER CONTACTS TO CLOSE TO START THE COMPRESSOR AGAIN. THE TIME TO DEFROST THE COIL AND START THE COMPRESSOR WILL BE LESS THAN FOUR MINUTES.

EBCO[®] MANUFACTURING COMPANY

265 N. Hamilton Rd. • P.O. Box 13150 • Columbus, OH 43213-0150 • 614/861-1350 • Fax: 614/861-5017

Printed in the U.S.A.

© 1994 Ebco Manufacturing