

ILLUSTRATED PARTS BREAKDOWN



**DEHUMIDIFIER MODELS:
D-20L-002P, D-25L-002P
D-30L-002P, D-35L-002P**



DESCRIPTION

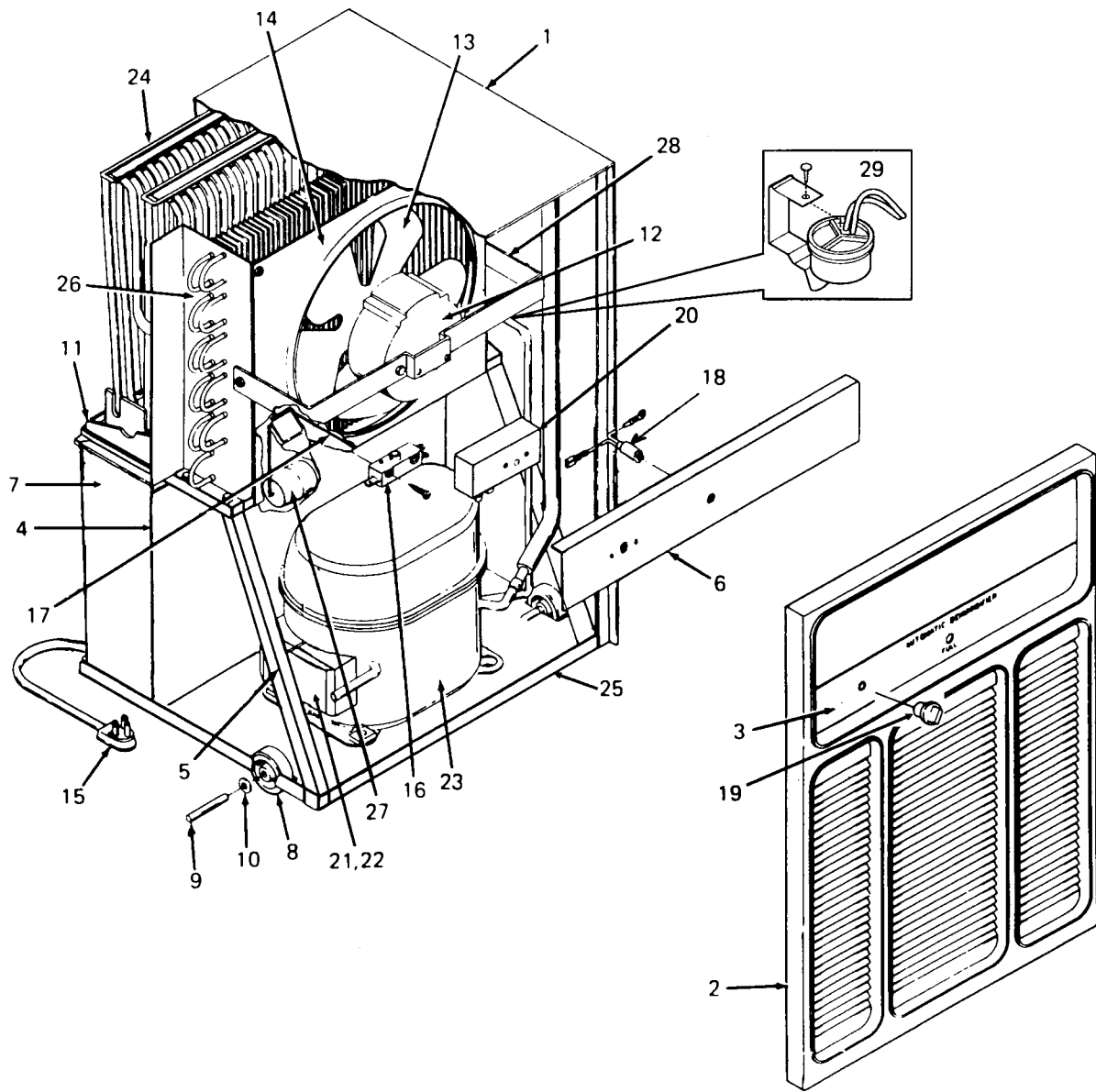
Dehumidifiers are used to prevent moisture damage in basements, laundry rooms and any other enclosed areas in your home. These units plug into standard wall outlets and have a sealed refrigeration system with a quiet running fan.

SPECIFICATIONS

Voltage	115 VAC \pm 10%/1PH/60 Hertz
Size	21-3/4" H., 15" W., 14-1/4" D.
Shipping Weight (Approx)	50-60 LBS.

Specifications subject to change without notice.

Models:	D-20L	D-25L	D-30L	D-35L
Capacity, Pint	20	25	30	35
Compressor, HP	1/6	1/5	1/5	1/4
Amps	3.4	3.9	4.7	5.3
Ref. Charge, OZ./R-500	6-1/4	8-3/4	7-1/2	11-1/4
Oil Charge, OZ.	9	9	9	9



PARTS LIST

ITEM NO.	DESCRIPTION	D-20L-002P	D-25L-002P	D-30L-002P	D-35L-002P
1	Cabinet Wrapper, Graystone.....	032156-001	032156-001	032156-001	032156-001
2	Grille, Lt. Gray	022020-007	022020-007	022020-007	022020-007
3	Trimplate – Oasis	032148-001	032148-001	032148-001	032148-001
4	Panel, Partition	022610-001	022610-001	022610-001	022610-001
5	Strut, Angle	032155-001	032155-001	032155-001	032155-001
6	Support Bracket Assembly	022479	022479	022479	022479
7	Receptor	022018-001	022018-001	022018-001	022018-001
8	Wheel	017278	017278	017278	017278
9	Plated Axle	017277	017277	017277	017277
10	Flat Washer	016377	016377	016377	016377
11	Drip Tray	022600-001	022600-001	022600-001	022600-001
12	Fan Motor	027354-003	027354-003	027354-002	027354-002
13	Fan Blade	022628	022628	022059	022059
14	Fan Shroud	022612	022612	022612	022612
15	Service Cord	026540-024	026540-024	026540-024	026540-024
16	Overflow Switch	017699	017699	017699	017699
17	Switch Lever	022128	022128	022128	022128
18	Pilot Light Assy	032149-001	032149-001	032149-001	032149-001
19	Knob, Humidistat.....	032150-001	032150-001	032150-001	032150-001
20	Humidistat	032151-001	032151-001	032151-001	032151-001
21	Relay	028028-002	028028-002	028028-002	028028-002
22	Overload	029497-005	029497-004	029497-003	029497-002
23	Compressor (Includes Items 21 and 22)	030697-005	030697-004	030697-003	030697-002
24	Evaporator Assembly	032196-001	032195-001	032194-001	032194-002
25	Base	028576-001	028576-001	028576-001	028576-001
26	Condenser	028504-001	028503-001	028503-001	028463-001
27	Float Assembly	022459	022459	022459	022459
28	Fan Motor Bracket	022625	022625	022625	022625
29	Defrost Control	027359-007	027359-007	027359-007	027359-007

NOT SHOWN

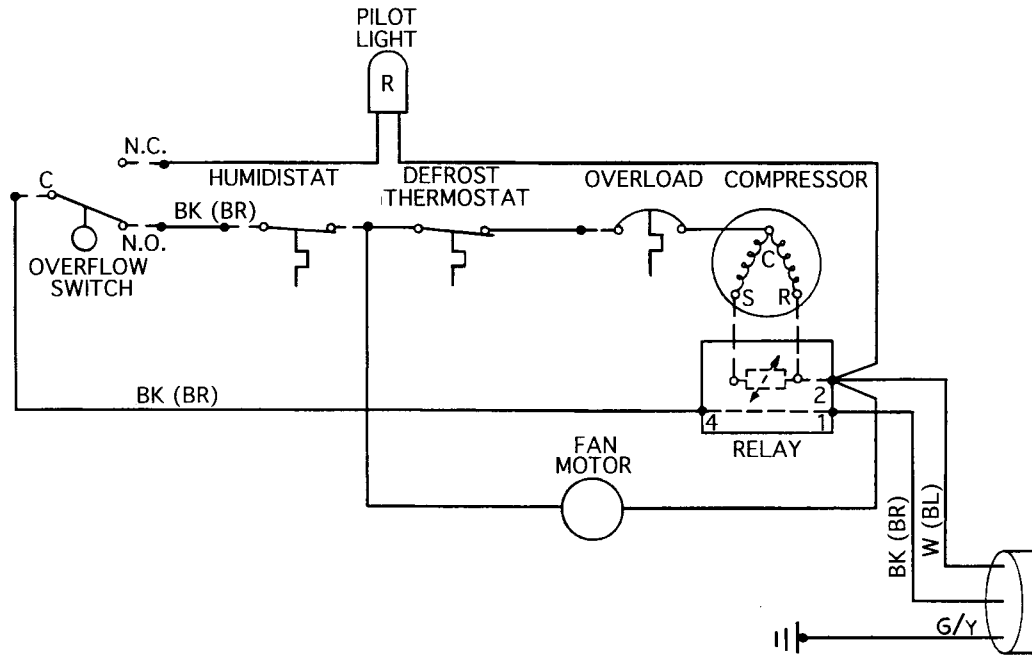
Clip, Speed (Evaporator).....	032146-001	032146-001	032146-001	032146-001
Compressor Grommet	018566	018566	018566	018566
Compressor Cotter Pin	026996	026996	026996	026996
Compressor Flat Washer	027484-001	027484-001	027484-001	027484-001
Shipping Carton	032158-001	032158-001	032158-001	032158-001

TROUBLESHOOTING INFORMATION

IF FROST OR ICE FORMS ON THE COILS OF YOUR DEHUMIDIFIER, THE TEMPERATURE AND HUMIDITY ARE TOO LOW. SHUT OFF THE DEHUMIDIFIER UNTIL THESE CONDITIONS ARE HIGHER.

WHEN YOUR HEATING SYSTEM IS IN USE, IT NORMALLY LOWERS THE HUMIDITY AND FURTHER DEHUMIDIFICATION IS UNNECESSARY.

ELECTRICAL DIAGRAM



● - TERMINATION POINTS.
() - ALT. COLOR.

EBCO[®] MANUFACTURING COMPANY

265 N. Hamilton Rd. • P.O. Box 13150 • Columbus, OH 43213-0150 • 614/861-1350 • Fax: 614/861-5017

Printed in U.S.A.
Copyright 1995 EBCO Manufacturing Company