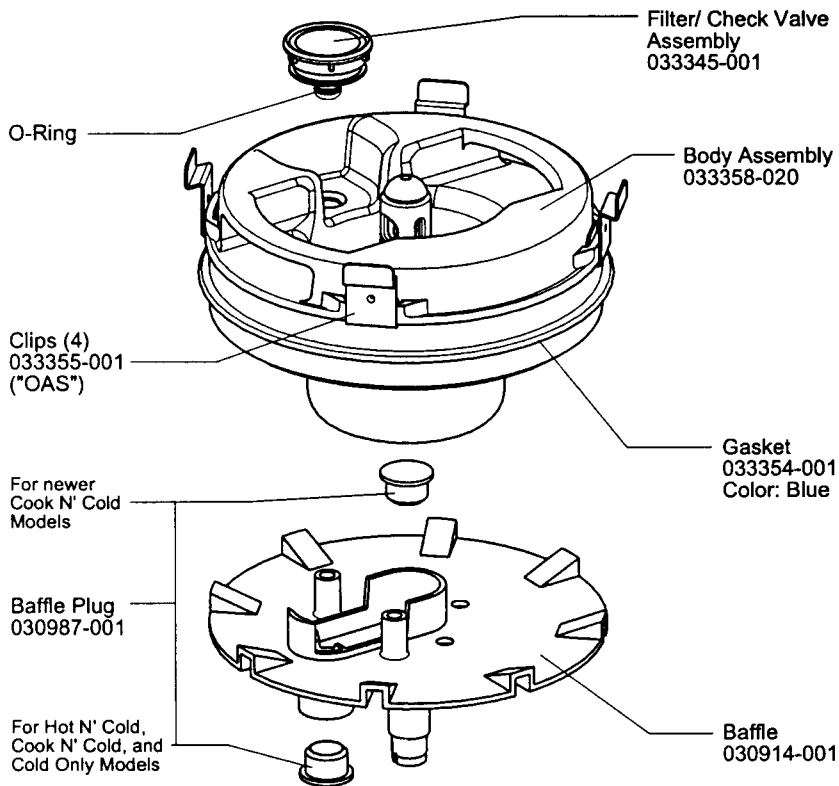


WaterGuard® IV Assembly Instructions

(BLF Series)



WaterGuard® IV Kit - 033863-020

WaterGuard® IV installs directly into the steel reservoir. To remove, pull up on the handles which are molded into the WaterGuard® IV body.

1. Assembly into Reservoir

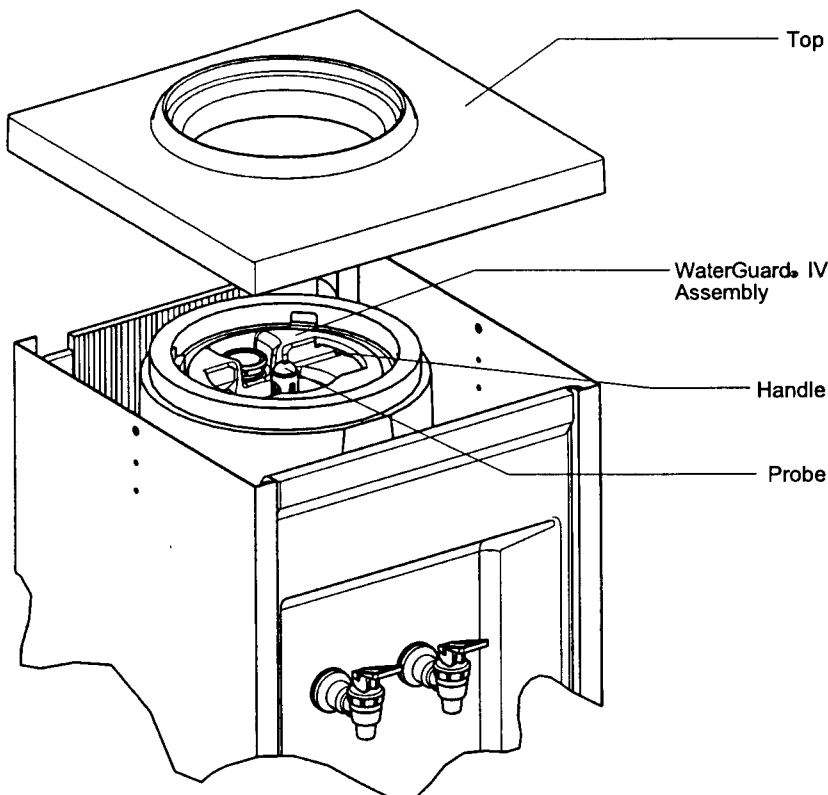
- Check that the WaterGuard® IV assembly is complete.
- Clean the assembly with a mild soap and water solution or clean in dishwasher on the TOP SHELF ONLY. **Do Not Wet Air Filter.**
- Remove cooler top and remove old baffle from reservoir. Install new WaterGuard® IV baffle with appropriate baffle plug inserted. Insert WaterGuard® IV assembly into the reservoir by pressing straight down on the perimeter of the body until clips rest on the rim of the reservoir. Replace cooler top.
The water cooler is now ready to receive water bottles equipped with the reusable cap.
(Older EBA1 models may have used *Ring, Can Lead-In* P/N 031077-001 to allow use of earlier versions of WaterGuard®. If fitting WaterGuard® IV to such models, remove this plastic ring.)

2. WaterGuard® IV Usage

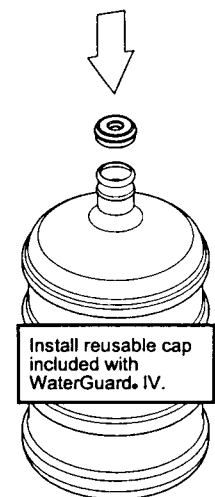
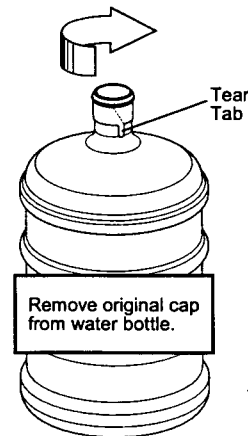
- Remove original bottle cap by pulling tab and tearing away. Snap off cap.
- The reusable cap should be cleaned with a mild soap and water solution before each use.
- Install reusable cap by centering cap on bottle. Press down until cap snaps firmly in place.
- Place the water bottle with the reusable cap onto the WaterGuard® IV probe.
- Allow the bottled water to fill the cold reservoir and hot tank (if fitted) of the unit by observing the rising stream of air bubbles inside the bottle. After the bubbles have stopped, the tanks are full. Draw water from each faucet to remove any air in the waterways.

3. Parts

Replacement parts are available from Oasis, or through your bottled water dealer.



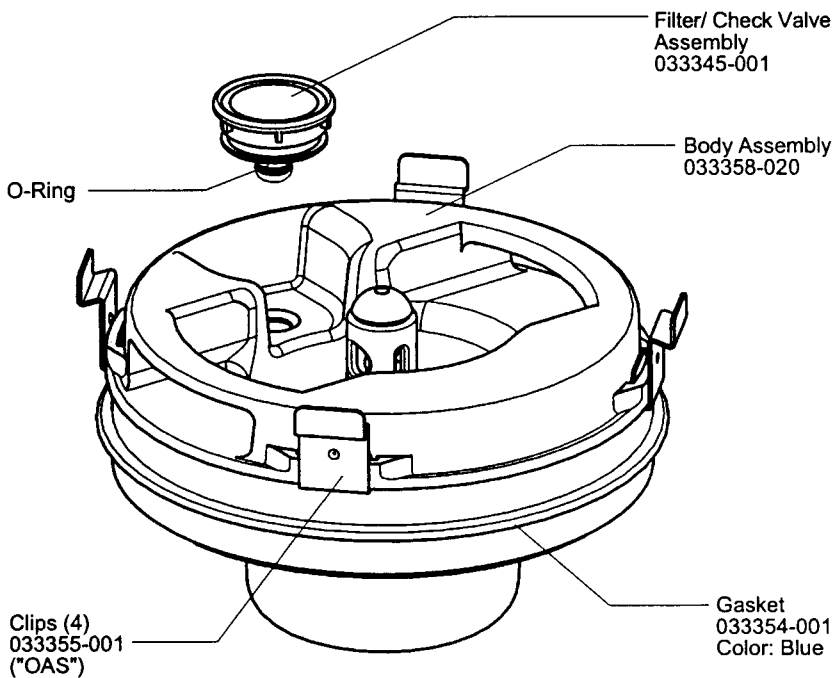
Reusable Cap
033865-001




OASIS
OASIS CORPORATION
265 N. Hamilton Rd. • P.O. Box 13150
Columbus, OH 43213-0150 U.S.A.
1-800-64-OASIS (1-800-646-2747)

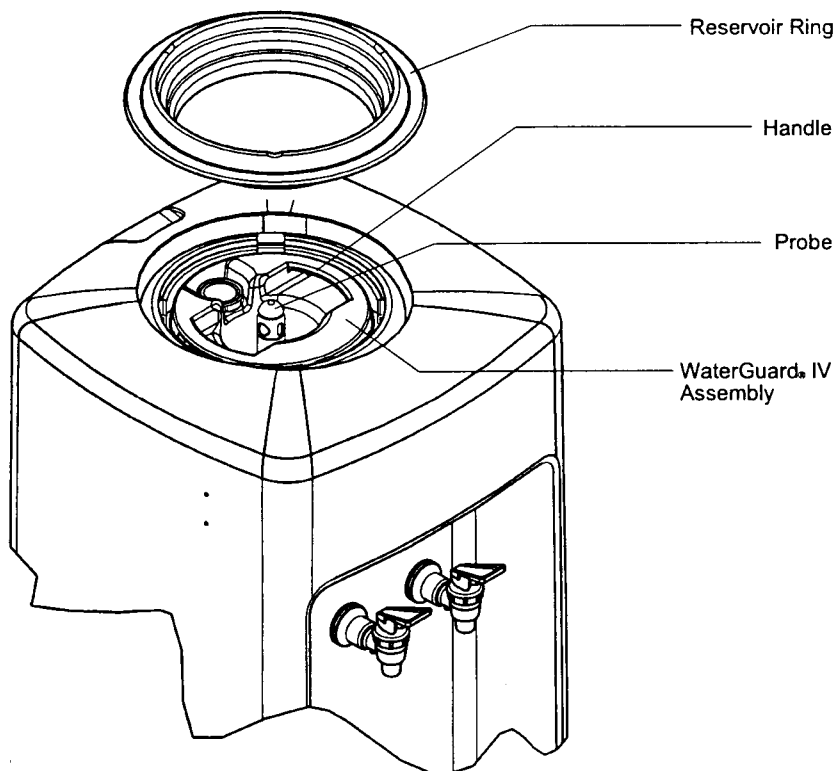
WaterGuard® IV Assembly Instructions

(BPE Series)



WaterGuard® IV Kit - 033863-030

WaterGuard® IV installs directly into the steel reservoir. To remove, pull up on the handles which are molded into the WaterGuard® IV body.



1. Assembly into Reservoir

- Check that the WaterGuard® IV assembly is complete.
- Clean the assembly with a mild soap and water solution or clean in dishwasher on the TOP SHELF ONLY. **Do Not Wet Air Filter.**
- Remove reservoir ring. Insert WaterGuard® IV assembly into the reservoir by pressing straight down on the perimeter of the body until clips rest on the rim of the reservoir. Replace reservoir ring. The water cooler is now ready to receive water bottles equipped with the reusable cap.

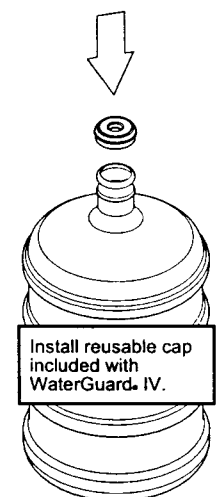
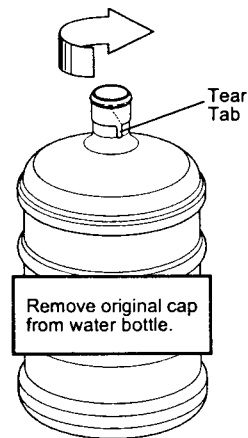
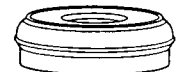
2. WaterGuard® IV Usage

- Remove original bottle cap by pulling tab and tearing away. Snap off cap.
- The reusable cap should be cleaned with a mild soap and water solution before each use.
- Install reusable cap by centering cap on bottle. Press down until cap snaps firmly in place.
- Place the water bottle with the reusable cap onto the WaterGuard® IV probe.
- Allow the bottled water to fill the cold reservoir and hot tank (if fitted) of the unit by observing the rising stream of air bubbles inside the bottle. After the bubbles have stopped, the tanks are full. Draw water from each faucet to remove any air in the waterways.

3. Parts

Replacement parts are available from Oasis, or through your bottled water dealer.

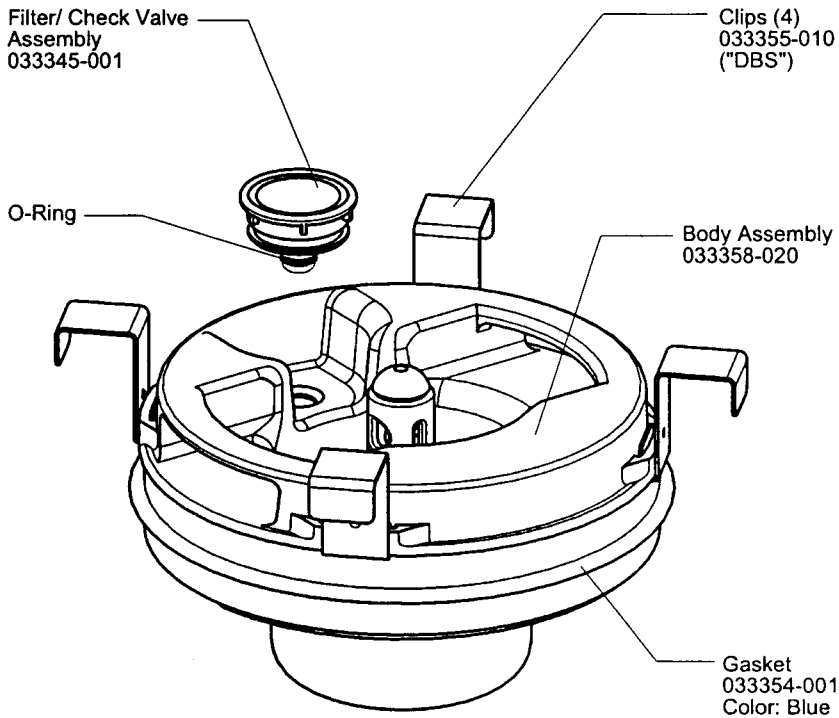
Reusable Cap
033865-001




OASIS
OASIS CORPORATION
265 N. Hamilton Rd. • P.O. Box 13150
Columbus, OH 43213-0150 U.S.A.
1-800-64-OASIS (1-800-646-2747)

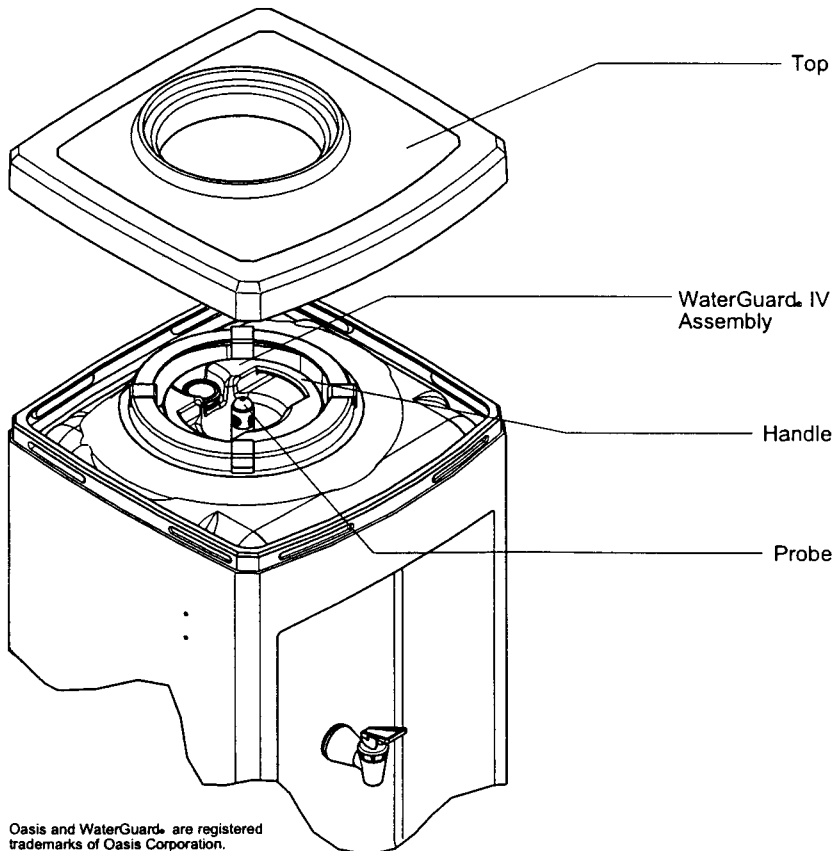
WaterGuard® IV Assembly Instructions

(DBS Series)



WaterGuard® IV Kit - 033863-040

WaterGuard® IV installs directly into the reservoir. To remove, pull up on the handles which are molded into the WaterGuard® IV body.



Oasis and WaterGuard® are registered trademarks of Oasis Corporation.
030099-213

1. Assembly into Reservoir

- Check that the WaterGuard® IV assembly is complete.
- Clean the assembly with a mild soap and water solution or clean in dishwasher on the TOP SHELF ONLY. **Do Not Wet Air Filter.**
- Remove cooler top. Insert WaterGuard® IV assembly into the reservoir until clips rest on the rim of the reservoir. Stretch foam ring around reservoir top and clips. Replace cooler top. The water cooler is now ready to receive water bottles equipped with the reusable cap.

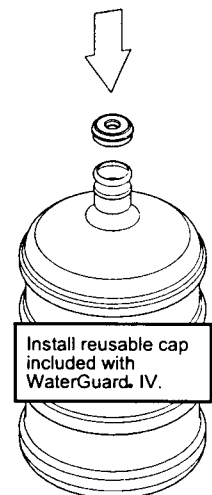
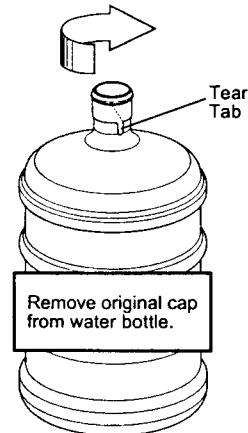
2. WaterGuard® IV Usage

- Remove original bottle cap by pulling tab and tearing away. Snap off cap.
- The reusable cap should be cleaned with a mild soap and water solution before each use.
- Install reusable cap by centering cap on bottle. Press down until cap snaps firmly in place.
- Place the water bottle with the reusable cap onto the WaterGuard® IV probe.
- Allow the bottled water to fill the reservoir of the unit by observing the rising stream of water bubbles inside the bottle. After the bubbles have stopped, the reservoir is full. Draw water from the faucet to remove any air in the waterways.

3. Parts

Replacement parts are available from Oasis, or through your bottled water dealer.

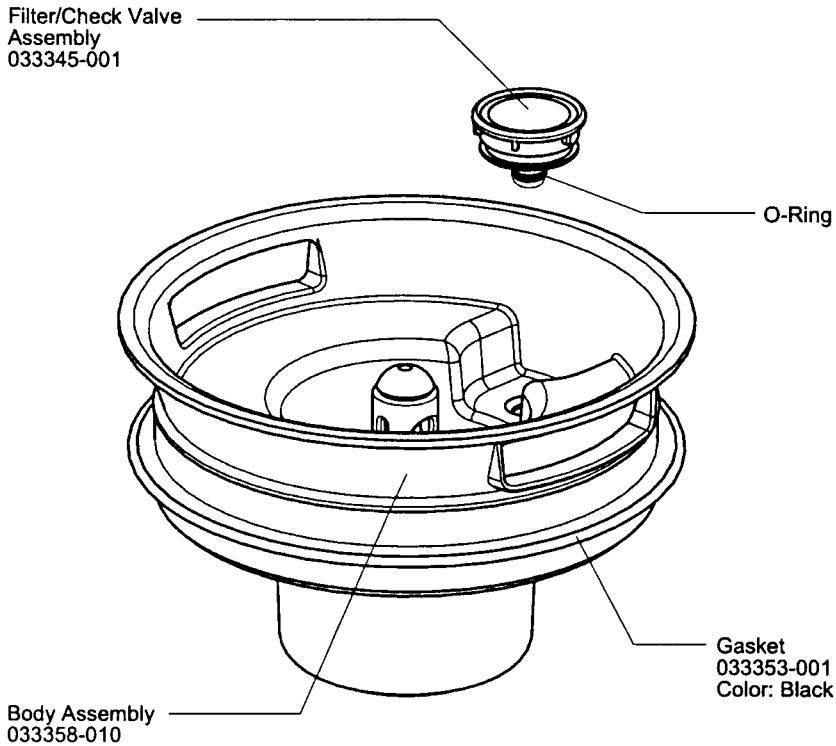
Reusable Cap
033865-001




OASIS
OASIS CORPORATION
265 N. Hamilton Rd. • P.O. Box 13150
Columbus, OH 43213-0150 U.S.A.
1-800-64-OASIS (1-800-646-2747)

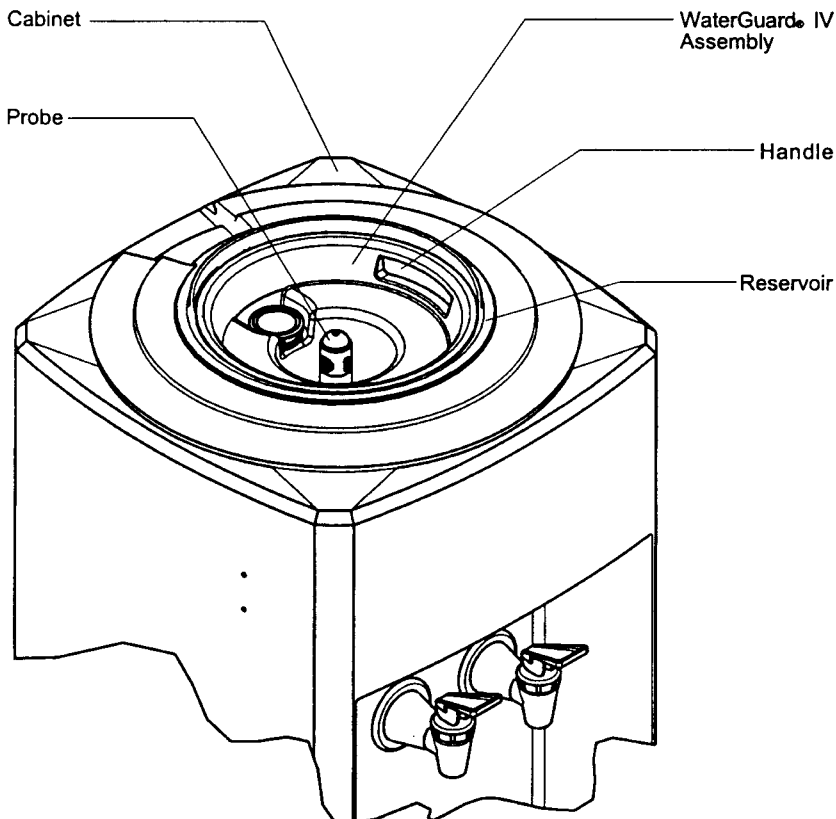
© Copyright 1998 Oasis Corporation

WaterGuard® IV Assembly Instructions (Removable Reservoir)



WaterGuard® IV Kit - 033863-010

WaterGuard® IV installs directly into the removable reservoir. To remove, pull up on the handles which are molded into the WaterGuard® IV body.



1. Assembly into Reservoir

- Check that the WaterGuard® IV assembly is complete.
- Clean the assembly with a mild soap and water solution or clean in dishwasher on the **TOP SHELF ONLY**. **Do Not Wet Air Filter.**
- Insert WaterGuard® IV assembly into the reservoir with air filter assembly facing the rear by pressing straight down on the perimeter of the body. The water cooler is now ready to receive water bottles equipped with the reusable cap.

2. WaterGuard® IV Usage

- Remove original bottle cap by pulling tab and tearing away. Snap off cap.
- The reusable cap should be cleaned with a mild soap and water solution before each use.
- Install reusable cap by centering cap on bottle. Press down until cap snaps firmly in place.
- Place the water bottle with the reusable cap onto the WaterGuard® IV probe.
- Allow the bottled water to fill the cold reservoir and hot tank (if fitted) of the unit by observing the rising stream of air bubbles inside the bottle. After the bubbles have stopped, the tanks are full. Draw water from each faucet to remove any air in the waterways.

3. Parts

Replacement parts are available from Oasis, or through your bottled water dealer.

Reusable Cap
033865-001

