

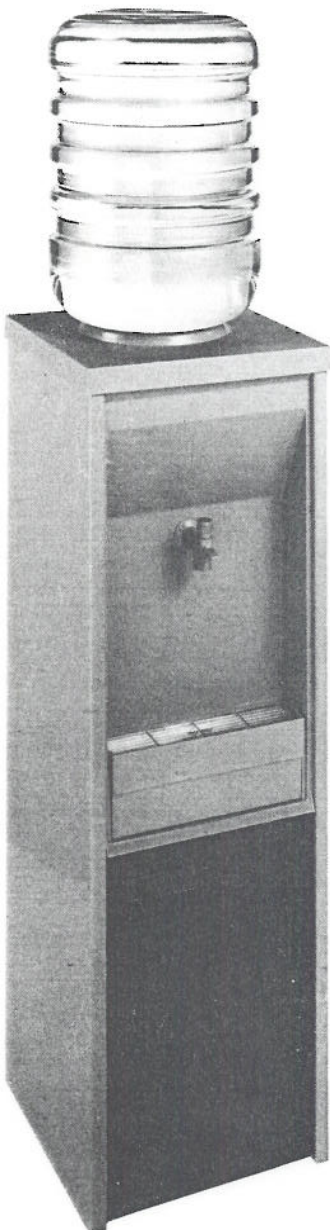
# SERVICE INSTRUCTIONS

...with Illustrated Parts Breakdown

## EBCO®

### WATER COOLER MODELS:

EBA1-1,	EBA1H-1,	EBA1K-1
EBA1-1-D,	EBA1H-1-D,	EBA1K-1-D
EBA1-1-M,	EBA1H-1-M,	EBA1K-1-M
EBA1-P,	EBA1H-P,	EBA1K-P



## DESCRIPTION

These models provide bottled drinking water cooled to 50°F at one gallon per hour. Model EBA1H also provides piping hot water at 45 cups per hour, while Model EBA1K provides cooking water at room temperature. These units are free-standing and require only electrical power.

The refrigeration system is hermetically sealed at manufacture and is generally considered to be non-field-serviceable. The compressor pumps refrigerant through the convection-cooled condenser and a capillary tube to the cooling tank evaporator. The evaporator is wrapped around the cooling tank for high efficiency. The heating tank is vented to atmospheric pressure.

The electrical circuit includes automatic overload protection, an adjustable cold control for water temperature regulation, and a heater switch to permit the hot water system to be turned off when not in use.

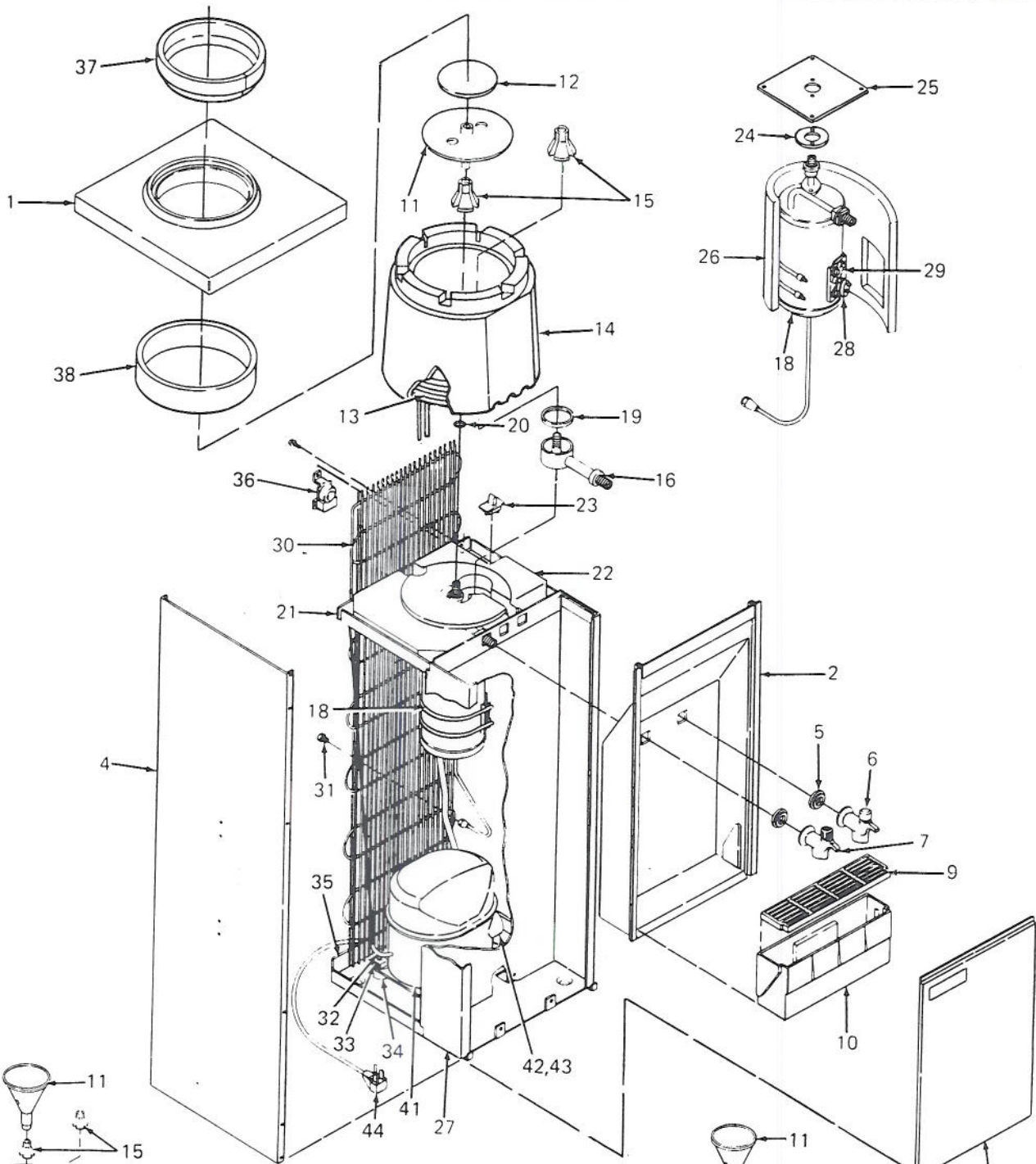
## SPECIFICATIONS

Voltage	115 VAC ±10%/1PH/60 Hertz
Size	38" H., 12" W., 12" D.
Shipping Weight (Approx)	58 LBS.
Cold Water Capacity*	1 GPH
Compressor	1/20 HP
Compressor EBA1, EBA1K (Full Load)	1.2 Amps
Compressor EBA1H (Full Load w/Hot Tank)	5.5 Amps
Refrigerant	R-12
Refrigerant Charge	1-1/8 OZ.
Hot Water Capacity**	45-6 OZ. Cups/HR.

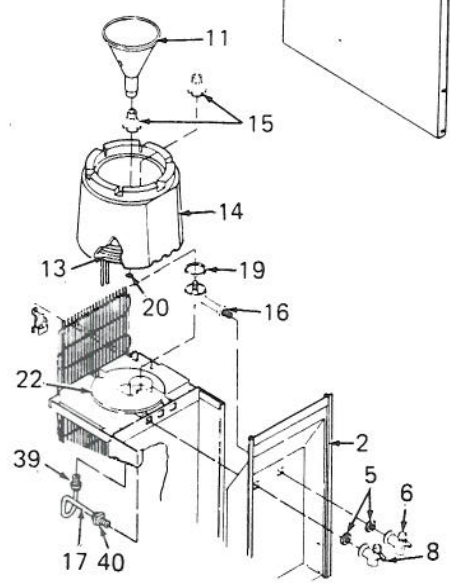
\* A.R.I. Ratings: Room Temperature 90°F; Supply Water Temperature 90°F; Drinking Water Temperature 50°F.

\*\* Based On Standard Test Procedures.

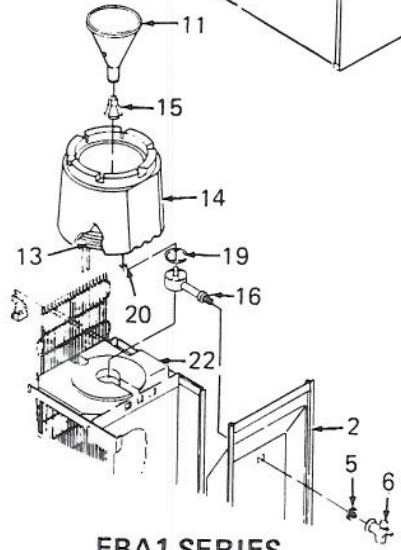
Specifications subject to change without notice.



EBA1H SERIES



EBA1K SERIES



EBA1 SERIES

# PARTS LIST

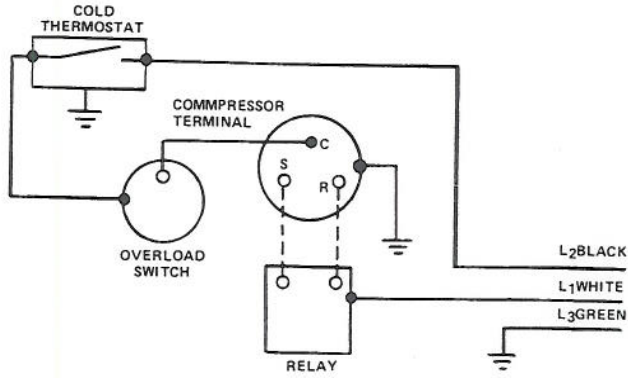
ITEM NO.	DESCRIPTION	EBA1-P EBA1-1 EBA1-1-M EBA1-1-D	EBA1H-P EBA1H-1 EBA1H-1-M EBA1H-1-D	EBA1K-P EBA1K-1 EBA1K-1-M EBA1K-1-D
1	Top – Tan .....	020508-001	020508-001	020508-001
2	Upper Front Panel – Tan .....	020509-102	020509-105	020509-105
3	Lower Front Panel – Walnut .....	022463-001	022463-001	022463-001
4	Side Panel – Tan (2 Required) .....	020512-001	020512-001	020512-001
	Side Panel – Walnut (2 Required) .....	020512-003	020512-003	020512-003
5	Faucet Gasket – Tan .....	025568-004	025568-004	025568-004
6	Cold Faucet – Tan w/Blue Cap .....	025943-001	025943-001	025943-001
7	Hot Faucet – Tan w/Red Cap .....	---	025943-002	---
8	Cook Faucet – Tan w/White Cap .....	---	---	025943-003
9	Anti-Splash Tray .....	020497	020497	020497
10	Receptor – Tan .....	020503-003	020503-003	020503-003
11	Baffle .....	025430	024398	025430
12	Deflector .....	---	024402	---
13	Cooling Tank Assembly .....	026201-001	026201-002	026201-002
14	Cooling Tank Insulation .....	026977	026977	026977
15	Cooling Tank Fitting .....	020485	020485	020485
16	Cold Water Outlet Tube .....	020484	020484	020484
17	Cook Water Outlet Tube .....	---	---	028807-001
18	Hot Tank Assembly .....	---	028887-003	---
19	Large O-Ring – Black (Water Outlet Tube Gasket) .....	027139	027139	027139
20	Small O-Ring – Red .....	---	024428	024428
21	Shelf .....	020501	020501	020501
22	Shelf Insulation .....	020483-001	025560	025560
23	Paddle Switch .....	---	020478	---
24	Hot Tank Spacer .....	---	025547	---
25	Hot Tank Mounting Bracket .....	---	025549	---
26	Hot Tank Insulation .....	---	025792	---
27	Column Support .....	020507-001	020507-001	020507-001
28	Hot Control .....	---	018668	---
29	Heat Limiter .....	---	024373	---
30	Condenser .....	020499	020499	020499
31	Hot Tank Drain Plug .....	---	006561	---
32	Compressor Clip .....	020486	020486	020486
33	Compressor Stud .....	020487	020487	020487
34	Compressor Grommet .....	018566	018566	018566
35	Base .....	020513	020513	020513
36	Cold Control .....	027040-011	027040-011	027040-011
37	Water Guard Bottle Gasket – Tan .....	026757-001	026757-001	026757-001
38	Air Filter .....	026972	026972	026972
39	Cook Fitting Assembly .....	---	---	028674-001
40	Faucet Fitting Assembly .....	---	---	028673-002
<b>NOT SHOWN</b>				
	Heat Exchanger .....	025495-002	025495-002	025495-002
	Strain Relief Bushing .....	019008	019008	019008
	High Altitude Hot Control .....	027220	027220	027220
	Speed Nut (Which Holds Side Panel On) .....	020938	020938	020938

## COMPRESSORS AND SERVICE CORDS

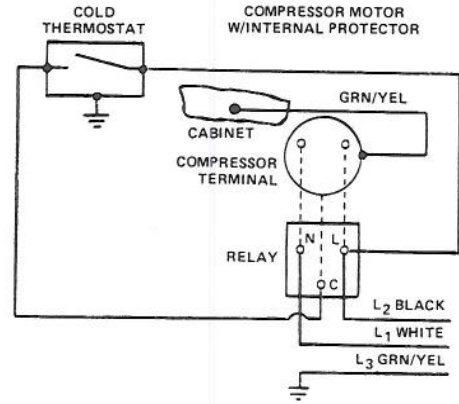
USED ON MODELS EBA1H-1, EBA1-1, EBA1K-1		USED ON MODELS EBA1H-1-D, EBA1-1-D, EBA1K-1-D	
41	*Compressor .....	027243-001	026868-001
42	Relay .....	027267-001	026867
43	Overload .....	027268-001	Internal
44	Service Cord .....	026540-010	026540-003
USED ON MODELS EBA1H-P, EBA1-P, EBA1K-P		USED ON MODELS EBA1H-1-M, EBA1-1-M, EBA1K-1-M	
41	*Compressor .....	027471-001	026194
42	Relay .....	027709-001	025335-006
43	Overload .....	Internal	026196
44	Service Cord .....	026540-003	026540-010

\*NOTE: Compressors include relay and overload.

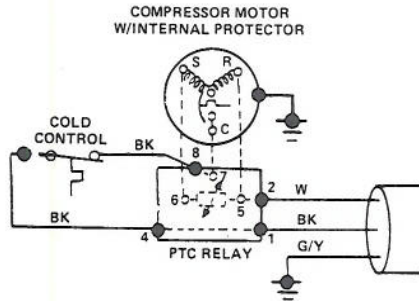
# ELECTRICAL DIAGRAM



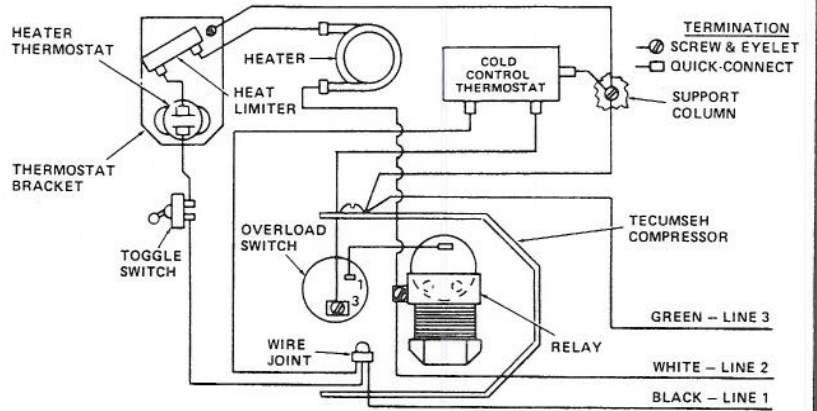
**EBA1-1  
EBA1K-1  
EBA1-1-M  
EBA1K-1-M**



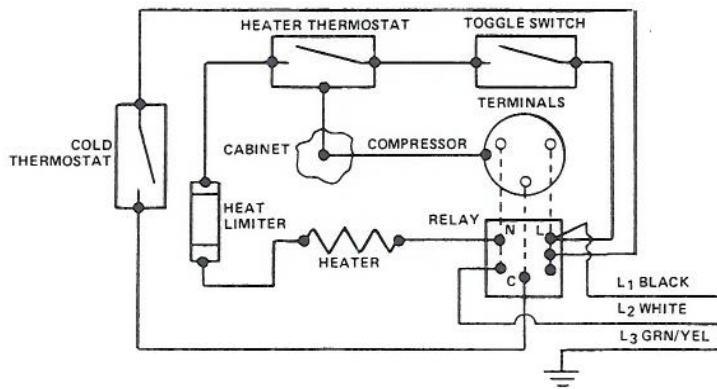
**EBA1-1-D  
EBA1K-1-D**



**EBA1-P  
EBA1K-P**



**EBA1H-1  
EBA1H-1-M**



**EBA1H-1-D  
EBA1H-P**

**EBCO<sup>®</sup> MANUFACTURING COMPANY**

265 N. Hamilton Rd. • P.O. Box 13150 • Columbus, OH 43213-0150 • 614/861-1350 • Cable: EBCO • Fax: 614/861-5017