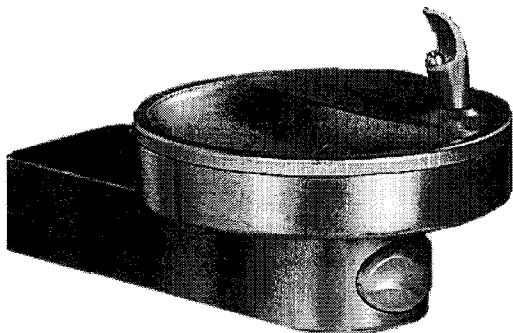
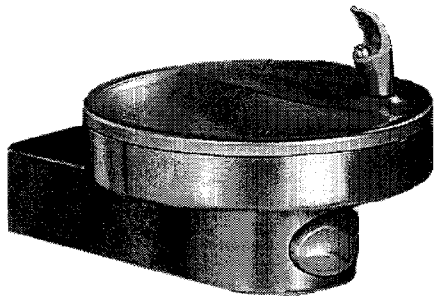




® Illustrated Parts Breakdown

Models: F110R & F140R




OASIS Corporation

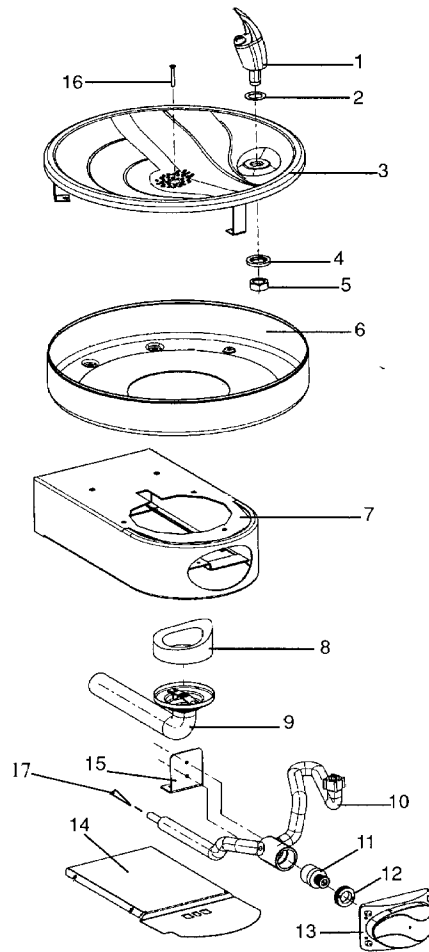
265 N Hamilton Rd • PO Box 13150

Columbus OH 43213

614/861-1350 • 614/861-0231 Fax

www.oasiswatercoolers.com

OASIS® and  are registered trademarks of OASIS Corporation
©2002 OASIS Corporation



Item#	Description	F110R	F140R
1	Bubbler Valve.....	031760-006	031760-006
	Nozzle	030029-007	030029-007
2	Gasket.....	028706-031	028706-031
3	Fountain Top Assy	033722-001	033722-001
4	Washer, Under Top.....	028706-030	028706-030
5	Nut	026824-019	026824-019
6	Bottom, Bowl	027616-005	027616-005
7	Fountain Arm.....	033606-001	033606-002
8	Waste Gasket	027614-002	027614-002
9	Waste Assembly	027613-004	027613-005
10	Water Line Assembly.....	033780-001	033780-002
11	Water Cartridge	029967-001	029967-001
12	Retaining Nut	029970-001	029970-001
13	Push Button	033721-001	033721-001
14	Bottom Plate.....	033723-001	033723-002
15	Valve Bracket.....	033720-001	033720-001
16	Drain Screw.....	026655-002	026655-002
17	Strainer, In-Line.....	033264-003	033264-003