

SERVICE INSTRUCTIONS

...with Illustrated Parts Breakdown

EBCO[®]

**WATER COOLER MODELS:
EP8WM, EP8WM-E, EP8WM-AE,
EP8WM-EQ, WEWC08, WEWC08-SG,
WEWC08-SA AND WEWC08-SH**



DESCRIPTION

These models are designed for use by the handicapped, are user friendly and provide drinking water cooled to 50° F at 8 gallons per hour. The unit mounts on a wall and requires connections to supply water, electrical power and waste drain.

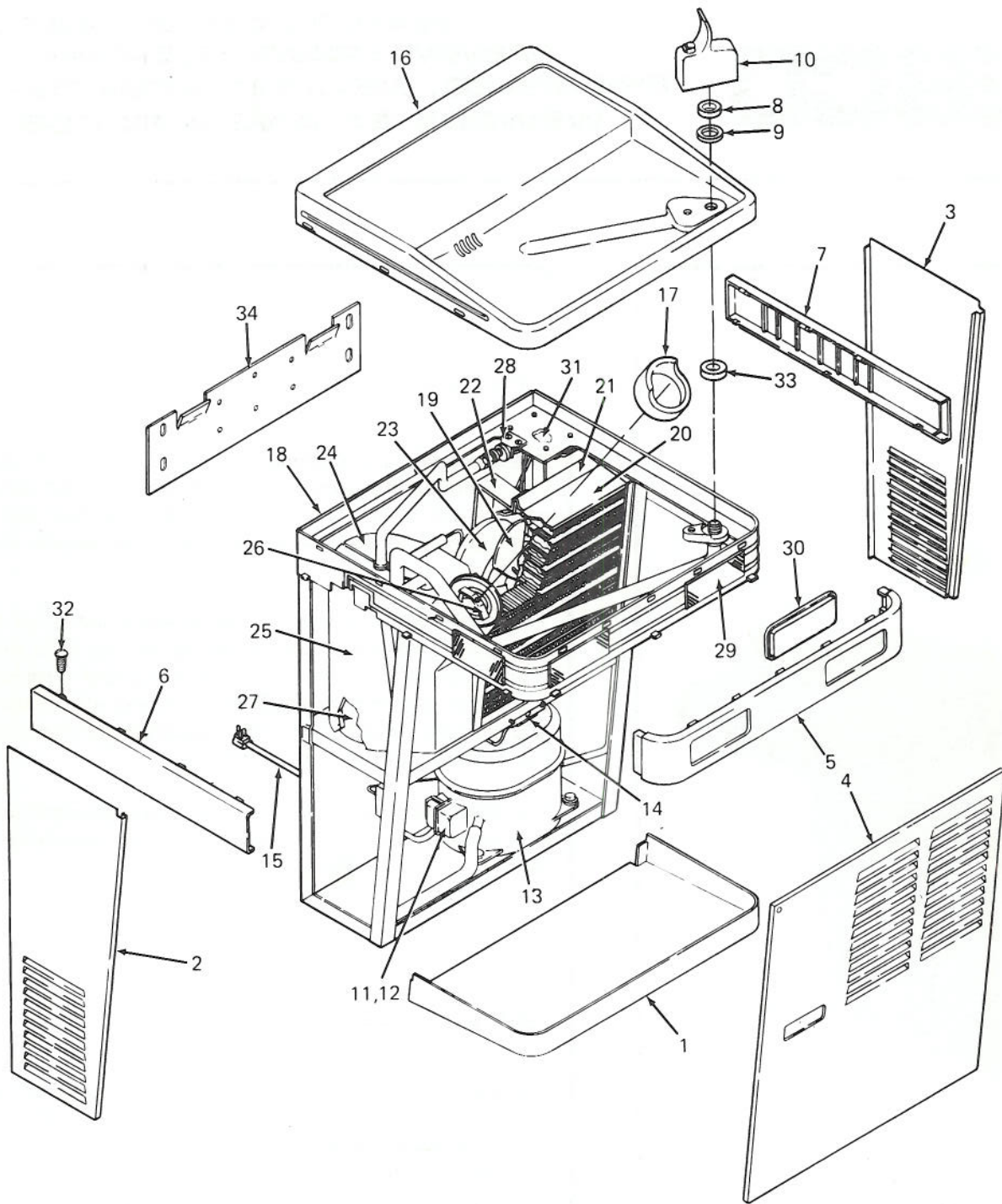
The refrigeration system is hermetically sealed at manufacture and is generally considered to be non-field serviceable. The air-cooled compressor pumps refrigerant through the fan-cooled condenser and a capillary tube (expansion valve) to the cooling tank evaporator. The evaporator is wrapped around the cooling tank for high efficiency.

The electrical circuit includes automatic overload protection, and an adjustable cold control for water temperature regulation.

SPECIFICATIONS

Voltage	115 VAC ±10%/1PH/60 Hertz
Size	25" H., 18" W., 19" D.
Shipping Weight (Approx)	60 LBS.
Cold Water Capacity	7.8 GPH
Compressor	1/5 HP
Refrigerant	R-500
Refrigerant Charge	4 OZ.
Compressor (Full Load)	6 Amps

Specifications subject to change without notice.



EP8WM-EQ/WEWC08-SH uses same parts as EP8WM-AE except this cooler takes the #027272-002 P.C. Board.

PARTS LIST

ITEM NO.	DESCRIPTION	EP8WM WEWCO8	EP8WM-E WEWCO8-SG	EP8WM-AE WEWCO8-SA
1	Front Housing – Walnut	026780-001	026780-001	026780-001
	Front Housing – Sandstone	026780-002	026780-002	026780-002
	Front Housing – Charcoal	026780-003	026780-003	026780-003
	Front Housing – Stainless Steel	026780-004	026780-004	026780-004
	Front Housing – Beige W/W*	026780-006	026780-006	026780-006
2	Left Side Panel – Walnut	026798-001	026798-001	026798-001
	Left Side Panel – Sandstone	026798-003	026798-003	026798-003
	Left Side Panel – Charcoal	026798-005	026798-005	026798-005
	Left Side Panel – Stainless Steel	026798-007	026798-007	026798-007
	Left Side Panel – Beige W/W*	026798-011	026798-011	026798-011
3	Right Side Panel – Walnut	026798-002	026798-002	026798-002
	Right Side Panel – Sandstone	026798-004	026798-004	026798-004
	Right Side Panel – Charcoal	026798-006	026798-006	026798-006
	Right Side Panel – Stainless Steel	026798-008	026798-008	026798-008
	Right Side Panel – Beige W/W*	026798-012	026798-012	026798-012
4	Front Panel – Walnut	026802-001	026802-001	026802-001
	Front Panel – Sandstone	026802-002	026802-002	026802-002
	Front Panel – Charcoal	026802-003	026802-003	026802-003
	Front Panel – Stainless Steel	026802-004	026802-004	026802-004
	Front Panel – Beige W/W*	026802-006	026802-006	026802-006
5	Front Bezel	026869-002 CLOSED	026869-001 OPEN	026869-001 OPEN
6	Left Side Bezel	026886-003 CLOSED	026886-003 CLOSED	026886-001 OPEN
7	Right Side Bezel	026886-004 CLOSED	026886-004 CLOSED	026886-002 OPEN
8	Valve Body Gasket	008983	008983	008983
9	Friction Washer	009281	009281	009281
10	Valve Assembly	026551-002	026551-006	026551-006
11	Overload	017977	017977	017977
12	Relay	017978	017978	017978
13	Compressor	027256-002	027256-002	027256-002
14	Cold Control Thermostat	027040-007	027040-007	027040-007
15	Cord Assembly	026540-004	026540-004	026540-004
16	Top	026775-001	026775-001	026775-001
17	Waste Gasket	027205	027205	027205
18	Frame Assembly	026976	026976	026976
19	Fan Blade	024033	024033	024033
20	Condenser	026967	026967	026967
21	Fan Shroud	026968	026968	026968
22	Fan Motor Bracket	026969	026969	026969
23	Fan Motor	027354-009	027354-009	027354-009
24	Cooling Tank Insulation (RH)	026950	026950	026950
25	Cooling Tank Insulation (LH)	026951	026951	026951
26	Waste Assembly	026981	026981	026981
27	Cooling Tank and Heat Exchanger Assembly (Insulated)	027085-003	027085-001	027085-001
28	Solenoid Valve	---	029819-001	029819-001
29	Membrane Switch	---	026987	026987
30	Switch Pad	---	026895	026895
31A	PC Board	---	027272-002	---
31B	PC Board (Timed)	---	---	027272-001
32	Line Head Screw (Size No. 5)	026630-018**	026630-018**	026630-018**
33	Gasket (Under Top)	010545	010545	010545
34	Hanger	016698-002	016698-002	016698-002
Not Shown	Water Inlet Fitting	025813	025813	025813

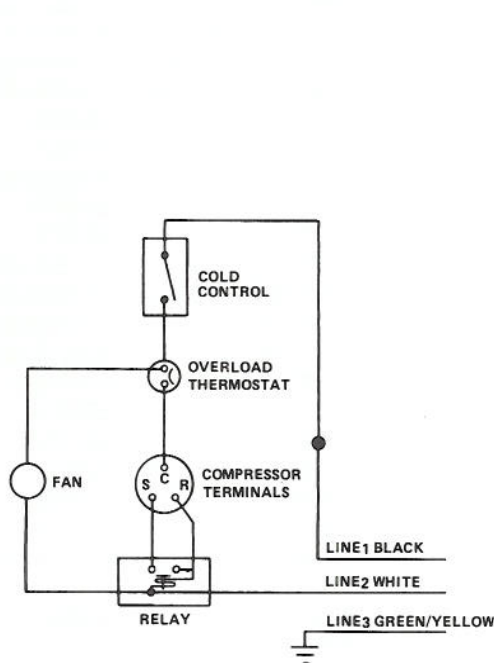
*W/W White-Westinghouse

**Use line head screwdriver size DLR2-75, part No. 400261

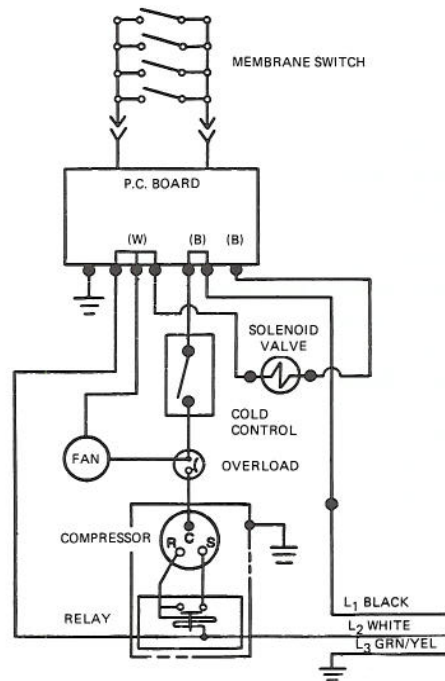
SERVICE CHECK CHART

TROUBLE	PROBABLE CAUSE	REMEDY
Unit not running	No electrical power Defective cold control Defective relay	Check power source Check that cold control is not in off position Replace Replace
Unit running but not cooling	Refrigerant leak or low refrigerant	Add refrigerant
Unit running continuously	Defective cold control Low refrigerant	Replace Add refrigerant

ELECTRICAL DIAGRAM



EP8WM



EP8WM-E, EP8WM-AE

EBCO[®] MANUFACTURING COMPANY

265 N. Hamilton Rd. • P.O. Box 13150 • Columbus, OH 43213-0150 • 614/861-1350 • Cable: EBCO • Fax: 614/861-5017