

# SERVICE INSTRUCTIONS

...with Illustrated Parts Breakdown

# EBCO<sup>®</sup>

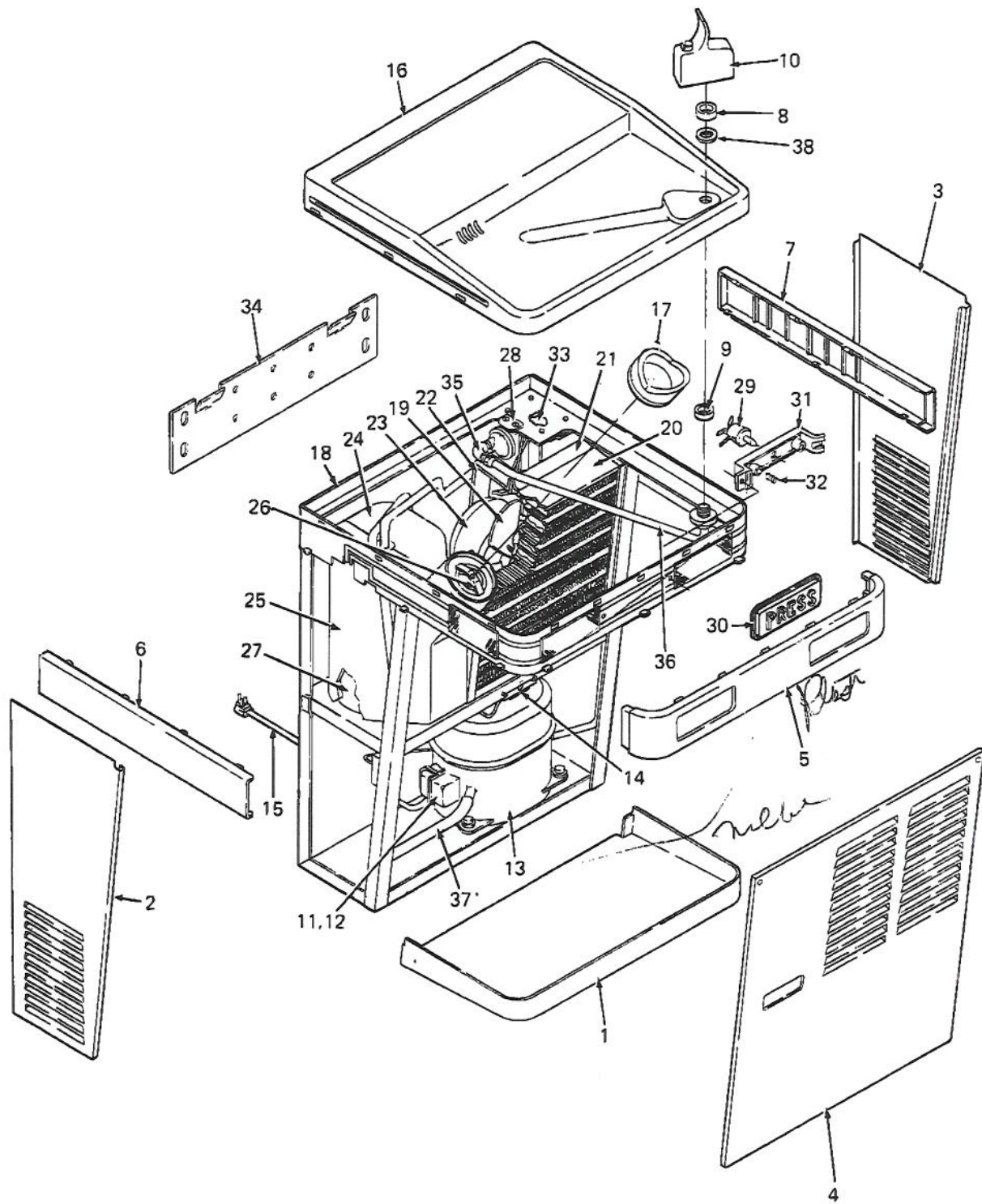
**WATER COOLER MODELS:  
EP8WM-001, EP8WM-D,  
EP8WM-Q, EP8WM-QA**



## SPECIFICATIONS

|                          |                                |
|--------------------------|--------------------------------|
| Voltage                  | 115 VAC $\pm$ 10%/1PH/60 Hertz |
| Size                     | 25" H., 18" W., 19" D.         |
| Shipping Weight (Approx) | 60 LBS.                        |
| Cold Water Capacity      | 7.8 GPH                        |
| Compressor               | 1/5 HP                         |
| Refrigerant              | R-500                          |
| Refrigerant Charge       | 4 OZ.                          |
| Compressor (Full Load)   | 6 Amps                         |

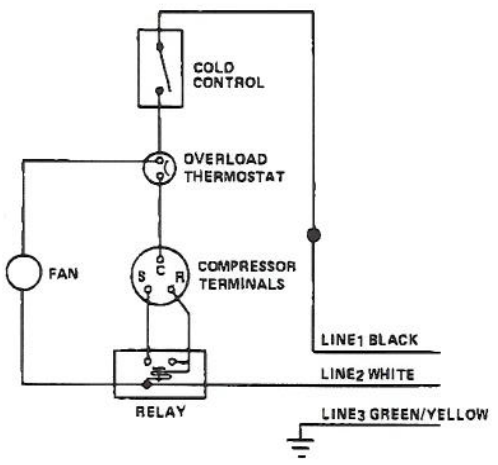
Specifications subject to change without notice.



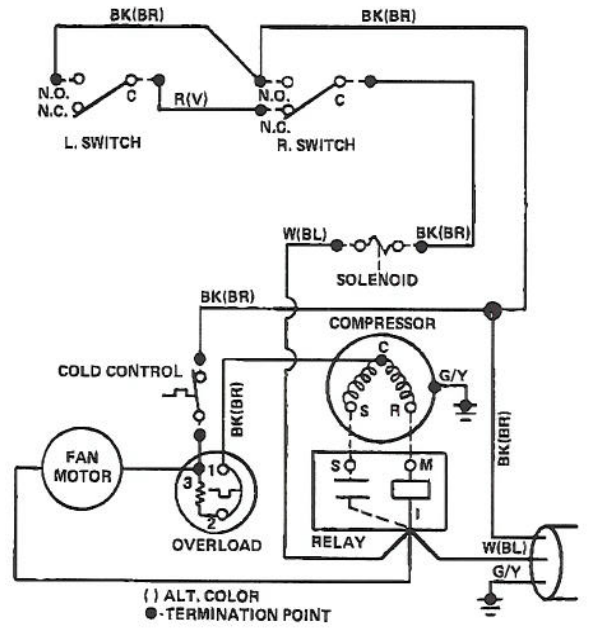
## PARTS LIST

| ITEM NO. | DESCRIPTION   | EP8WM-001         | EP8WM-D           | EP8WM-Q<br>EP8WM-QA |
|----------|---|-------------------|-------------------|---------------------|
| 1        | Front Housing – Sandstone .....                               | 026780-002        | 026780-002        | 026780-002          |
|          | Front Housing – Stainless Steel .....                         | 026780-004        | 026780-004        | 026780-004          |
| 2        | Left Side Panel – Sandstone .....                             | 026798-003        | 026798-003        | 026798-003          |
|          | Left Side Panel – Stainless Steel .....                       | 026798-007        | 026798-007        | 026798-007          |
| 3        | Right Side Panel – Sandstone .....                            | 026798-004        | 026798-004        | 026798-004          |
|          | Right Side Panel – Stainless Steel .....                      | 026798-008        | 026798-008        | 026798-008          |
| 4        | Front Panel – Sandstone .....                                 | 026802-002        | 026802-002        | 026802-002          |
|          | Front Panel – Stainless Steel .....                           | 026802-004        | 026802-004        | 026802-004          |
| 5        | Front Bezel .....   | 026869-002 CLOSED | 026869-001 OPEN   | 026869-001 OPEN     |
| 6        | Left Side Bezel .....   | 026886-003 CLOSED | 026886-003 CLOSED | 026886-001 OPEN     |
| 7        | Right Side Bezel .....  | 026886-004 CLOSED | 026886-004 CLOSED | 026886-002 OPEN     |
| 8        | Valve Body Gasket .....                                       | 008983            | 008983            | 008983              |
| 9        | Washer (Under Top) .....                                      | 028706-001        | 028706-001        | 028706-001          |
| 10       | Bubbler Valve Assembly .....                                  | 026551-002        | 026551-006        | 026551-006          |
| 11       | Overload .....  | 017977            | 017977            | 017977              |
| 12       | Relay .....   | 017978            | 017978            | 017978              |
| 13       | Compressor .....  | 027256-002        | 027256-002        | 027256-002          |
| 14       | Cold Control .....  | 027040-007        | 027040-007        | 027040-007          |
| 15       | Service Cord .....  | 026540-004        | 026540-004        | 026540-004          |
| 16       | Top .....   | 028835-001        | 028835-001        | 028835-001          |
| 17       | Waste Gasket .....  | 027205            | 027205            | 027205              |
| 18       | Frame Assembly .....  | 026976-003        | 026976-003        | 026976-003          |
| 19       | Fan Blade .....   | 024033            | 024033            | 024033              |
| 20       | Condenser .....   | 026967            | 026967            | 026967              |
| 21       | Fan Shroud .....  | 026968            | 026968            | 026968              |
| 22       | Fan Motor Bracket .....                                       | 026969            | 026969            | 026969              |
| 23       | Fan Motor Assembly .....                                      | 027354-009        | 027354-009        | 027354-009          |
| 24       | Cooling Tank Insulation (RH) .....                            | 028660-001        | 028660-001        | 028660-001          |
| 25       | Cooling Tank Insulation (LH) .....                            | 028661-001        | 028661-001        | 028661-001          |
| 26       | Waste Assembly .....  | 026981-001        | 026981-001        | 026981-001          |
| 27       | Cooling Tank and Heat Exchanger<br>Assembly (Insulated) ..... | 028789-002        | 028789-003        | 028789-003          |
| 28       | Solenoid Valve .....  | ---               | 026985-001        | 026985-001          |
| 29       | Switch .....  | ---               | 028591-001        | 028591-001          |
| 30       | Switch Pad .....  | ---               | 028587-001        | 028587-001          |
| 31       | Switch Bracket .....  | ---               | 028588-001        | 028588-001          |
| 32       | Compression Spring .....                                      | ---               | 027638-005        | 027638-005          |
| 33       | Timer (EP8WM-QA only) .....                                   | ---               | ---               | 028594-001          |
| 34       | Hanger Bracket .....  | 016698-002        | 016698-002        | 016698-002          |
| 35       | Fitting Elbow .....   | ---               | 028787-001        | 028787-001          |
| 36       | Tube Assembly Sol to Bib .....                                | ---               | 028783-001        | 028783-001          |
| 37       | Heat Exchanger .....  | 028785-001        | 028785-001        | 028785-001          |
| 38       | Friction Washer .....   | 009281            | 009281            | 009281              |

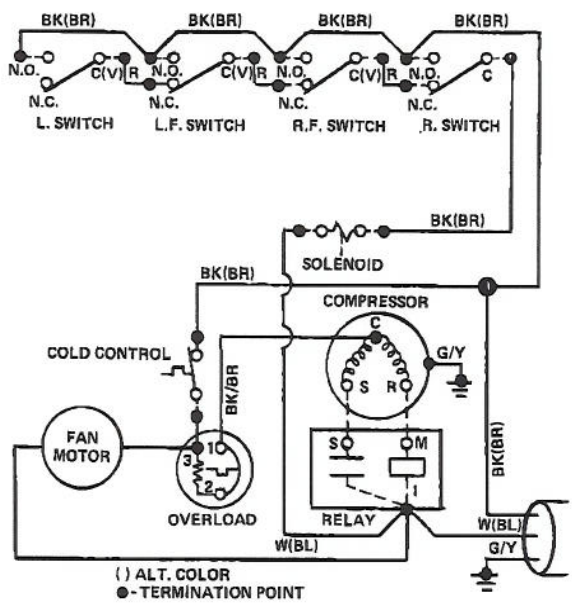
# ELECTRICAL DIAGRAM



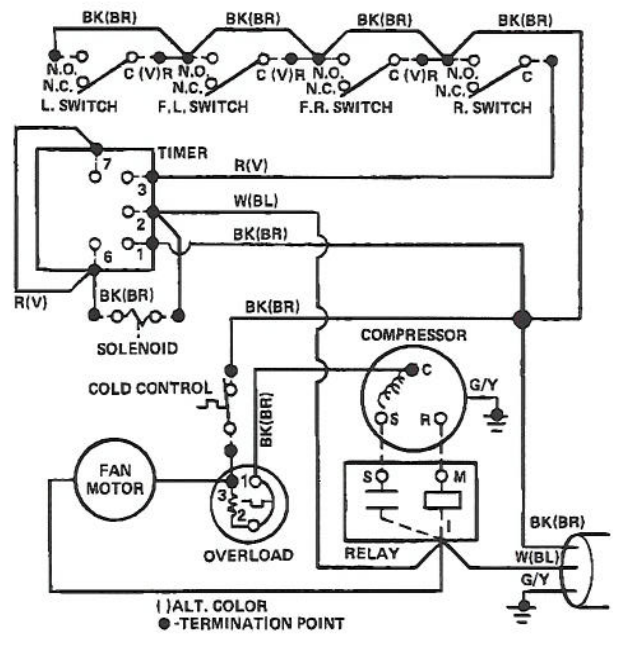
**EP8WM-001**



**EP8WM-D**



**EP8WM-Q**



**EP8WM-QA**

**EBCO<sup>®</sup> MANUFACTURING COMPANY**  
 265 N. Hamilton Rd. • P.O. Box 13150 • Columbus, OH 43213-0150 • 614/861-1350 • FAX 614/861-5017