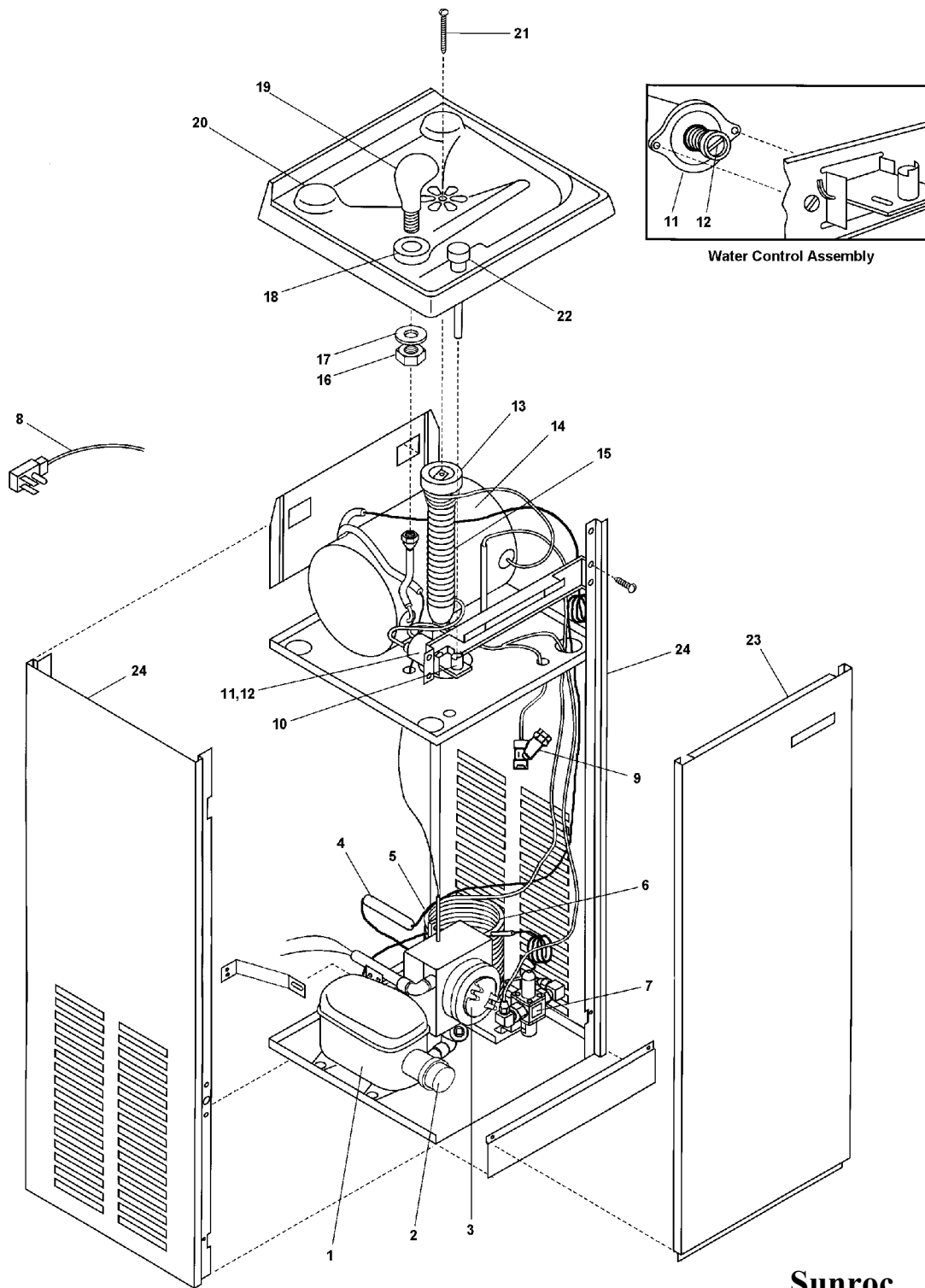


# FLOOR STANDING WATER COOLER

## SAFE II



**Sunroc**

60 Starlifter Avenue

Dover, DE 19901

(302) 678-7800 • Fax (302) 678-7813

Service (800) 220-1136

[www.sunroc.com](http://www.sunroc.com)

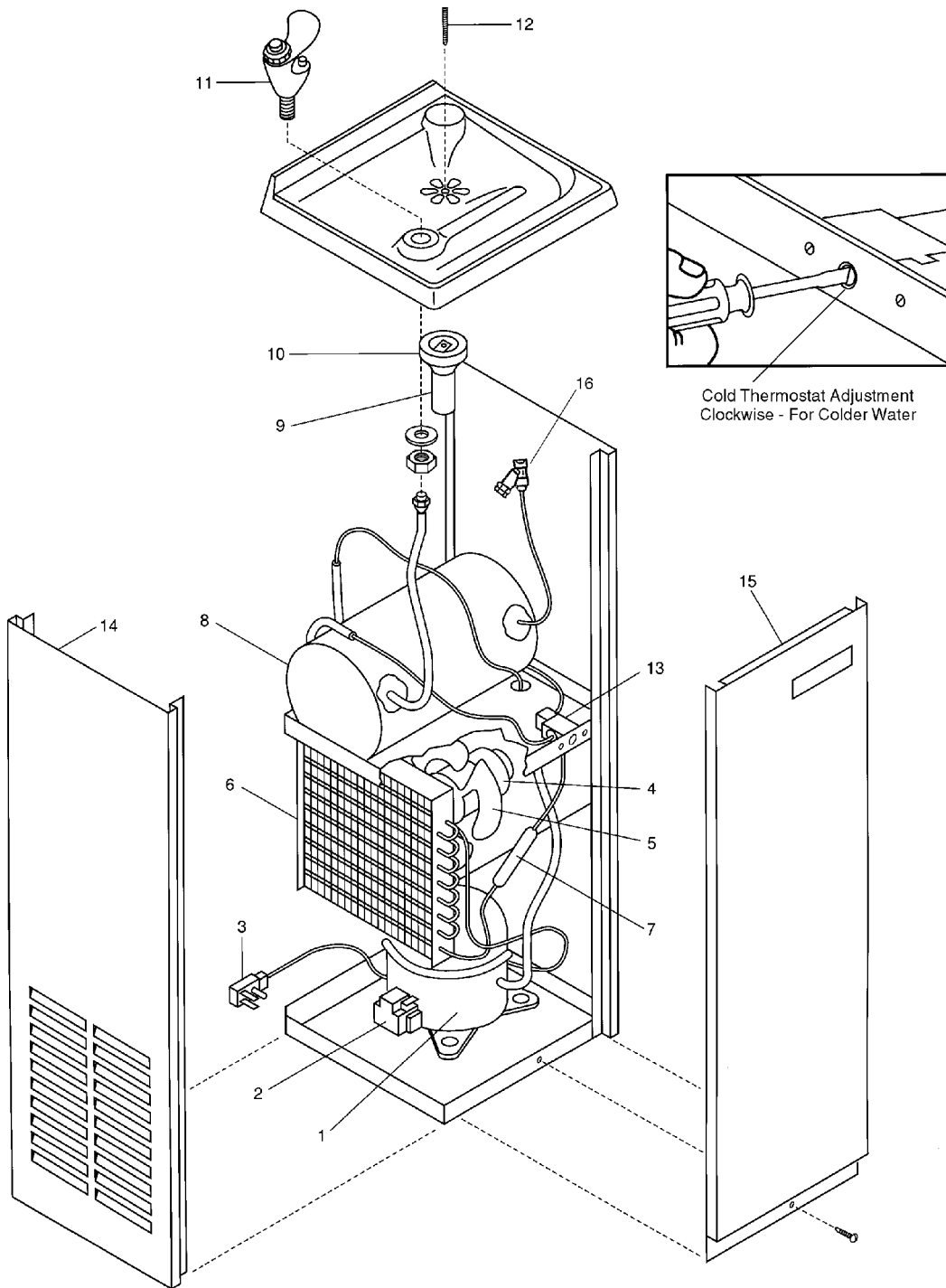
## Parts List for Water Cooler Model: SAFE II

ITEM	PART NUMBER	DESCRIPTION
1	AA00014-SP	Compressor AE34254
2	AA00014-T1	Overload 4TM780PFB22-51
	AA00014-T2	Relay 8EA402
3	A016241	Cold Thermostat
4	C026081	Wiring Harness (eyelet)
5	C026498-704	Capillary Tube
6	C026103-SP	Condenser
7	B154560-01	Water Valve
8	C026081	Not Applicable
9	A020938-01	“Y” Strainer
10	A015950-02	Toggle Lever
11	10947-003-SP	Water Control Assembly
12	B153468-01	Cartridge
13	A015671	Drain Washer
14	C026072-SP	Evaporator
15	B154148-SP	Precooler
16	A021112	Binder Nut
17	A021220	Spring Washer
18	A016210	Fiber Washer
19	C026293-SP	Cobra Spout (metal)
	11432	Safety-Gard™ Spout Assy (Optional)
20	D035701-05	Stainless Steel Top
21	A016762	Drain Screw
22	A017272-01	Push Button
23	D035804-19	Front Panel - Pewter
	D035804-31	Front Panel - Stainless Steel
24	D035800-19	Side Panel - Pewter
	D035800-31	Side Panel - Stainless Steel

NOTE: Contact service department for information on compressors not shown on this page. This sheet cancels all previous lists for this model.

# FLOOR STANDING WATER COOLER

## CSF-3 & CSF-5



**Sunroc**

60 Starlifter Avenue

Dover, DE 19901

(302) 678-7800 • Fax (302) 678-7813

Service (800) 220-1136

[www.sunroc.com](http://www.sunroc.com)

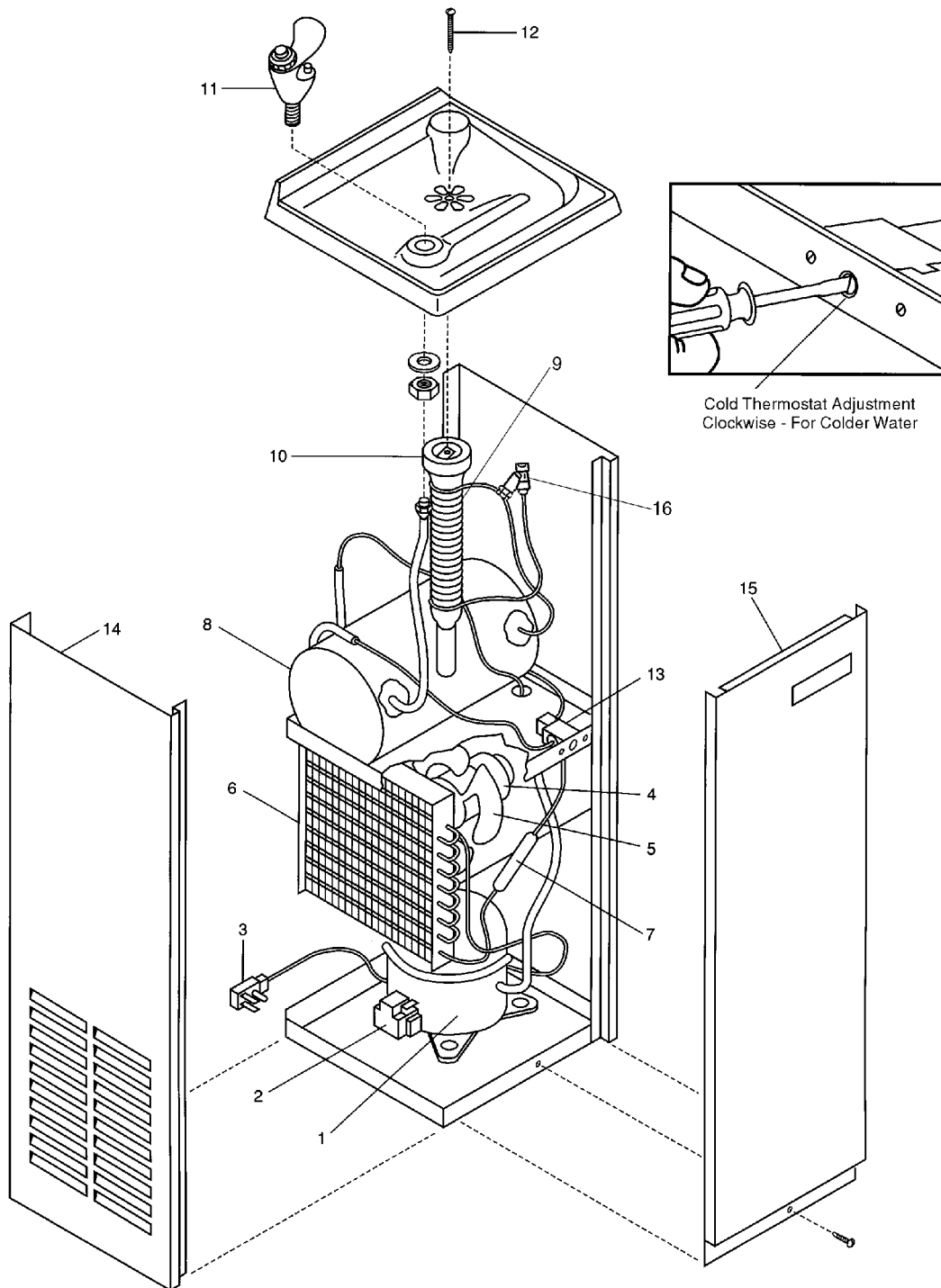
## Parts List for Water Cooler Models: CSF-3 & CSF-5

ITEM	PART NUMBER	DESCRIPTION
1	AA00007-SP	Compressor
2	AA00007-T1	Overload
	AA00007-T2	Relay
3	C026081	Wall Cord (eyelet)
	C026392-01	Wall Cord (uses Spade Connections)
4	B153475	Fan Motor
	D036186-01	Fan Motor (uses Spade Connections)
5	A020185	Fan Blade
6	C025821	Condenser
7	AA00004	Drier
8	C025837-SP	Evaporator
9	A018156-07	Drain
10	A015671	Rubber Gasket
11	A019447-SP	Bubbler Assembly
12	A016762	Drain Screw
13	A016241	Cold Thermostat (eyelet)
	C026376-03	Cold Thermostat (uses Spade Connections)
14	C025807-31	Left Side Panel - Stainless Steel
	C025807-19	Left Side Panel - Pewter
	C025806-37	Right Side Panel - Stainless Steel
	C025806-19	Right Side Panel - Pewter
15	C025810-31	Front Panel - Stainless Steel
	C025810-19	Front Panel - Pewter
16	A020938-01	“Y” Strainer

NOTE: Contact service department for information on compressors not shown on this page. This sheet cancels all previous lists for this model.

# FLOOR STANDING WATER COOLER

## CSF-8 & CSF-10



**Sunroc**

60 Starlifter Avenue

Dover, DE 19901

(302) 678-7800 • Fax (302) 678-7813

Service (800) 220-1136

[www.sunroc.com](http://www.sunroc.com)

## Parts List for Water Cooler Models: CSF-8 & CSF-10

ITEM	PART NUMBER	DESCRIPTION
1	AA00007-SP	Compressor
2	AA00007-T1	Overload
	AA00007-T2	Relay
3	C026081	Wall Cord (eyelet)
	C026392-01	Wall Cord (uses Spade Connections)
4	B153475	Fan Motor
	D036186-01	Fan Motor (uses Spade Connections)
5	A020185	Fan Blade
6	C026310	Condenser
7	AA00004	Drier
8	C025837-SP	Evaporator
9	B154135-SP	Precooler
10	A015671	Rubber Gasket
11	A019447-SP	Bubbler Assembly
12	A016762	Drain Screw
13	A016241	Cold Thermostat (eyelet)
	C026376-03	Cold Thermostat (uses Spade Connections)
14	C025807-31	Left Side Panel - Stainless Steel
	C025807-19	Left Side Panel - Pewter
	C025806-37	Right Side Panel - Stainless Steel
	C025806-19	Right Side Panel - Pewter
15	C025810-31	Front Panel - Stainless Steel
	C025810-19	Front Panel - Pewter
16	A020938-01	“Y” Strainer

NOTE: Contact service department for information on compressors not shown on this page. This sheet cancels all previous lists for this model.